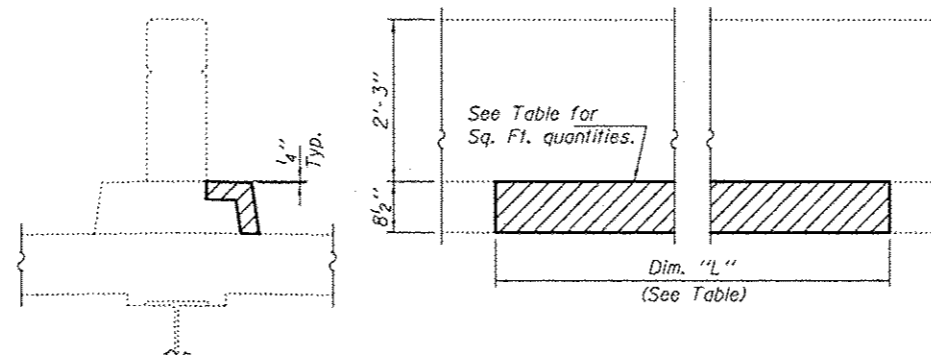
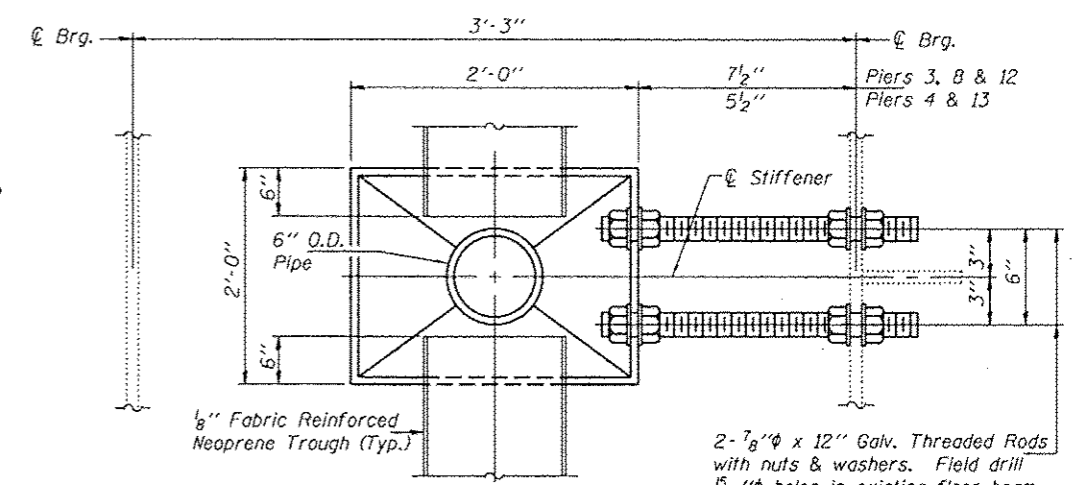


REPAIR A - PAPAPET STRUCTURAL REPAIR OF CONCRETE

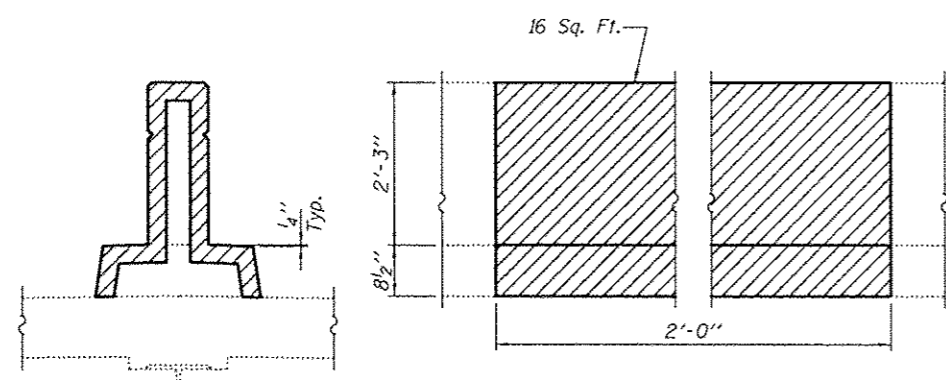


REPAIR B - CURB STRUCTURAL REPAIR OF CONCRETE

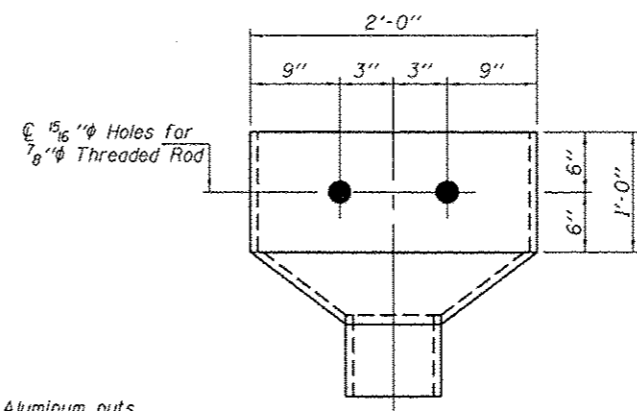
SPAN	LOCATION	Dim. "L"	QUANTITY
1	NB Median Curb	18'-6"	27 Sq. Ft.
16	SB Median Curb	28'-0"	41 Sq. Ft.
17	NB Median Curb	18'-6"	27 Sq. Ft.



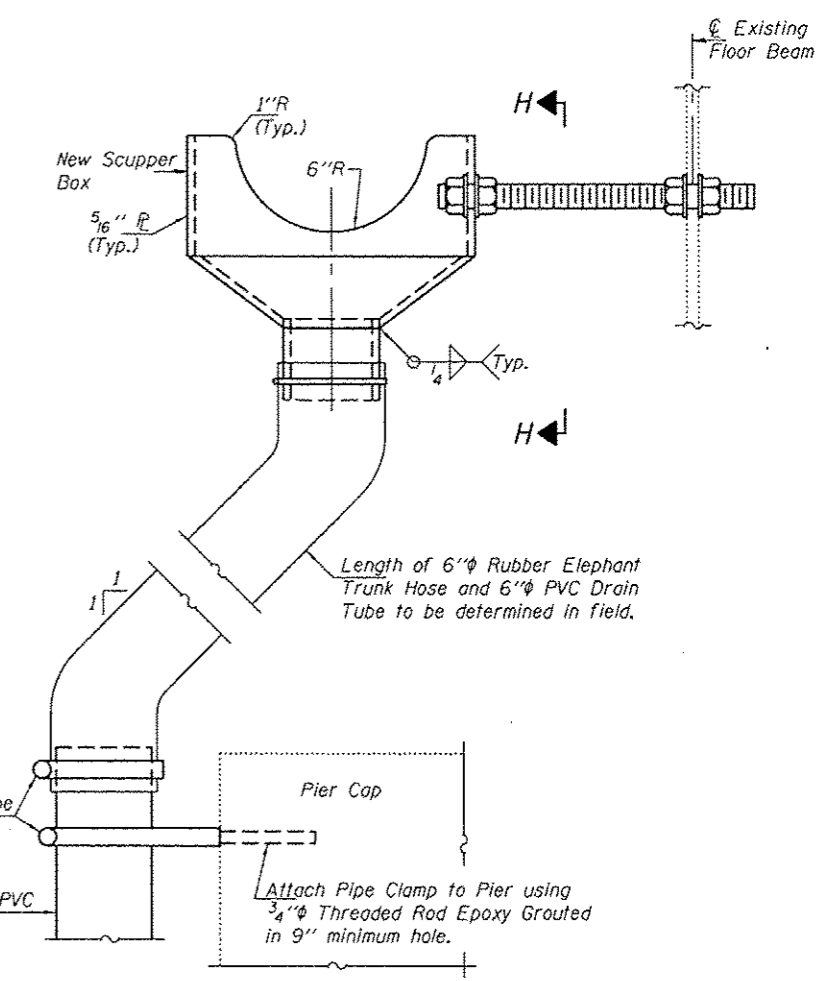
TOP VIEW



REPAIR C - MEDIAN STRUCTURAL REPAIR OF CONCRETE



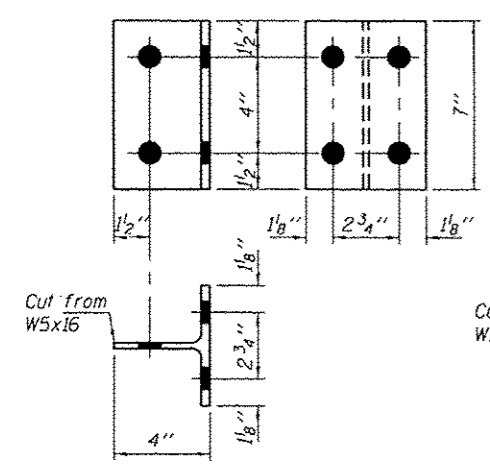
VIEW H-H



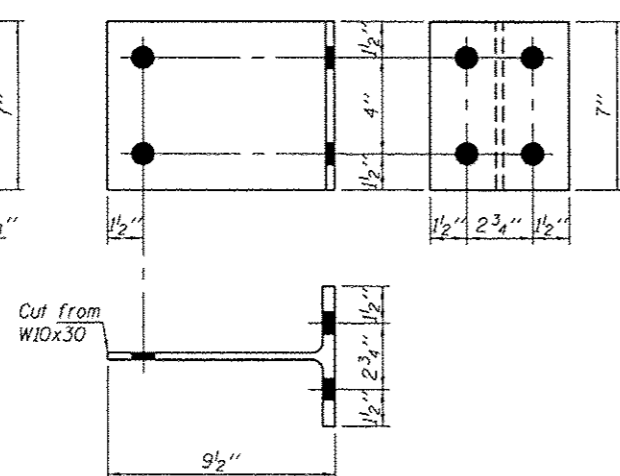
ELEVATION

(Looking out from @ Bridge)
Piers 3, 4, 8, & 12 shown;
Pier 13 similar except opposite hand

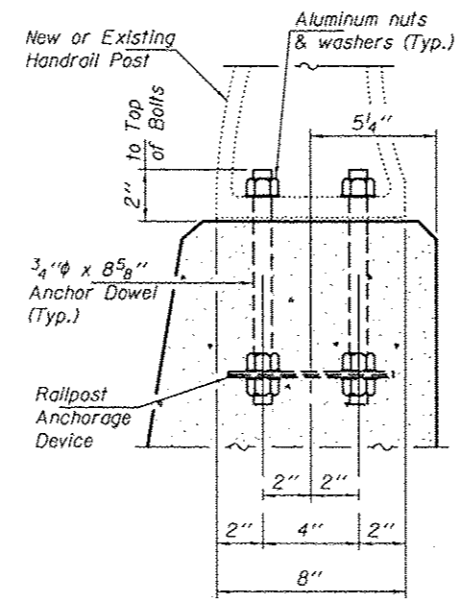
Note:
Cost new Scupper Box, threaded rods, trunk hose, PVC drain tube and all clamps, accessories and labor necessary to install new Drainage System included with the cost of Fabric Reinforced Elastomeric Trough.



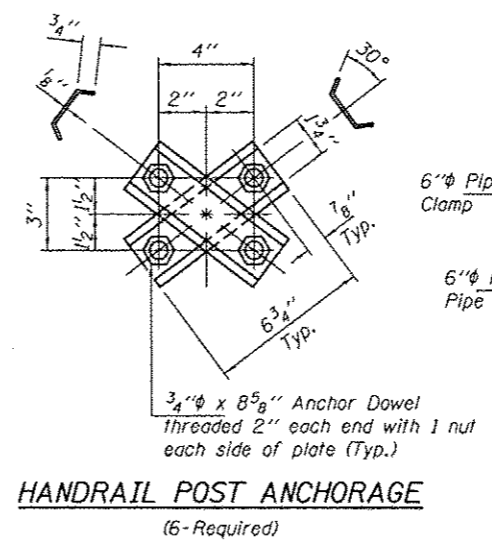
SUPPORT BRACKET
CUT FROM W5X16
(8-Required)



SUPPORT BRACKET
CUT FROM W10X30
(12-Required)



SECTION THRU HANDRAIL
POST (REMOVE & REINSTALL)
Cost of labor and materials needed to remove and
reinstall Handrail Post included with Concrete Removal.



HANDRAIL POST ANCHORAGE
(6-Required)