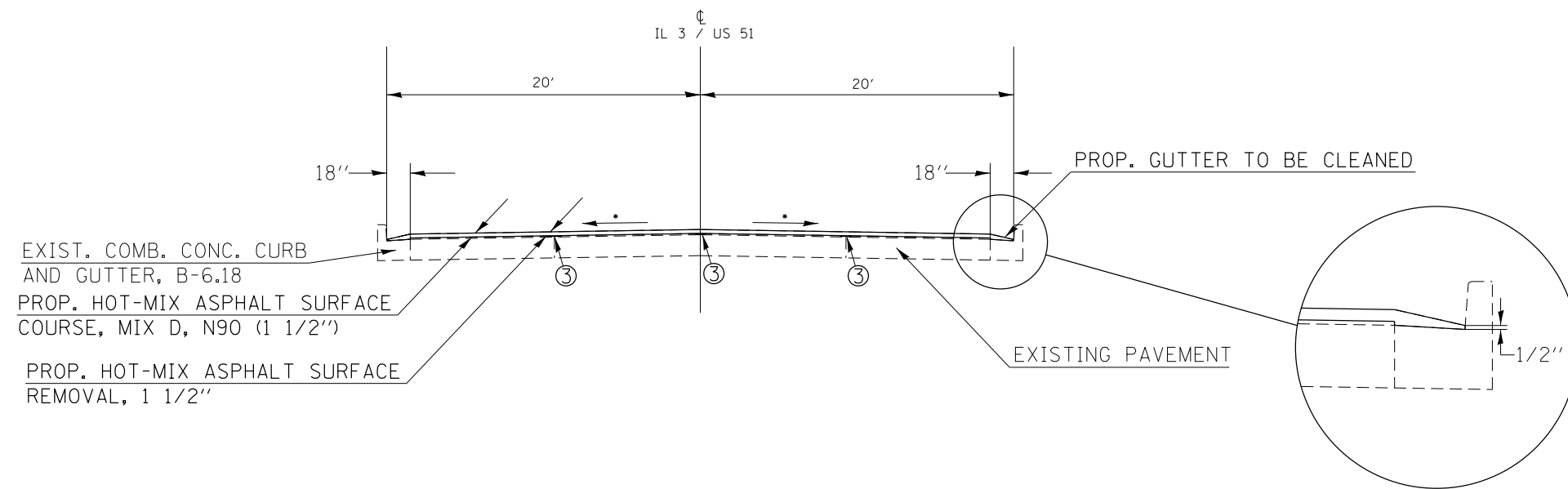


# TYPICAL SECTIONS



TO BE USED:  
STA 805+35 TO STA 845+06

- ③ - PROP. STRIP REFLECTIVE CRACK CONTROL TREATMENT
- \* - MATCH EXISTING SLOPES

FILE NAME =	USER NAME = lavenderba	DESIGNED -	REVISED -	<b>STATE OF ILLINOIS DEPARTMENT OF TRANSPORTATION</b>	<b>TYPICALS</b>			F.A.P. RTE.	SECTION	COUNTY	TOTAL SHEETS	SHEET NO.
Default	et:\pw\work\p\dot\lavenderba\d0313676\78344-sh\tp-sch.ties.dgn	DRAWN -	REVISED -					14	(137,18R,137X,138Z)RS-4	ALEXANDER	15	7
	PLOT SCALE = 10.0000' / in.	CHECKED -	REVISED -		SCALE: SHEET OF SHEETS STA. TO STA.			CONTRACT NO. 78344				
	PLOT DATE = 9/12/2012	DATE -	REVISED -		ILLINOIS FED. AID PROJECT							