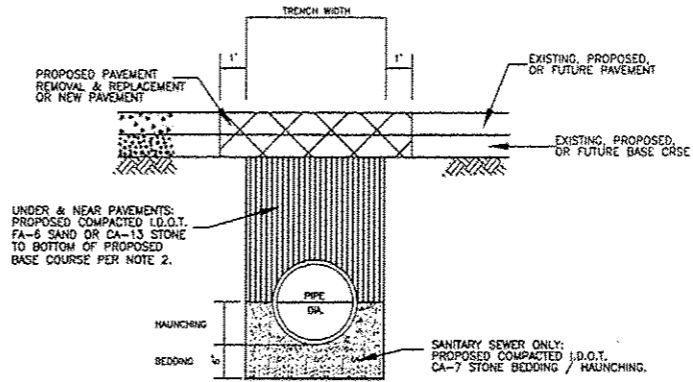


60107600 PIPE UNDERDRAIN 4" DETAIL

UNDERDRAIN NOTES:

1. COMPACTED POROUS GRANULAR BACKFILL (FA-4) SHALL BE INSTALLED UNDER ALL EXISTING, PROPOSED, OR FUTURE PAVEMENTS, SIDEWALKS, OR ALLEYS.
2. INCLUDE COST FOR COMPACTED POROUS GRANULAR BACKFILL, GEOTECHNICAL FABRIC WRAP, AND UNDERDRAIN PIPE IN THE 60107600 PIPE UNDERDRAIN 4" CONTRACT UNIT PRICE.

PROPOSED TYPICAL SECTION - PIPE TRENCH (ALL PROPOSED PIPES)



WATER MAIN AND SANITARY SEWER PIPE TRENCH NOTES:

1. TRENCH WIDTH PER STANDARD SPECIFICATIONS FOR WATER & SEWER MAIN CONSTRUCTION IN ILLINOIS. CONTRACTOR SHALL BE RESPONSIBLE FOR ALL DEWATERING TO THE SATISFACTION OF THE ENGINEER, TO INSURE PROPER INSTALLATION OF PIPES. NO ADDITIONAL COMPENSATION BEYOND THE CONTRACT UNIT PRICES WILL BE ALLOWED FOR DEWATERING COSTS.
2. COMPACTED TRENCH BACKFILL (INITIAL AND FINAL) SHALL BE INSTALLED UNDER ALL EXISTING, PROPOSED, OR FUTURE PAVEMENTS, SIDEWALKS, OR ALLEYS. INCLUDE COST FOR TRENCH BACKFILL (INITIAL AND FINAL) MATERIALS IN THE PIPE CONTRACT UNIT PRICES.
3. SANITARY SEWER ONLY: COMPACTED BEDDING AND HAUNCHING MATERIALS SHALL BE REQUIRED AS SHOWN IN DETAIL. INCLUDE COST FOR COMPACTED BEDDING AND HAUNCHING MATERIALS IN THE PIPE CONTRACT UNIT PRICES.
4. WATER MAIN: EXISTING ACCEPTABLE EXCAVATED SOIL MATERIALS MAY BE USED FOR COMPACTED BEDDING AND HAUNCHING MATERIALS. INCLUDE COST FOR COMPACTED BEDDING AND HAUNCHING MATERIALS IN THE PIPE CONTRACT UNIT PRICES.

STORM SEWER PIPE TRENCH NOTES:

1. TRENCH WIDTH AND PAY VOLUME PER IDOT BUREAU OF CONSTRUCTION "TRENCH BACKFILL TABLE", CONTRACTOR SHALL BE RESPONSIBLE FOR ALL DEWATERING TO THE SATISFACTION OF THE ENGINEER, TO INSURE PROPER INSTALLATION OF PIPES. NO ADDITIONAL COMPENSATION BEYOND THE CONTRACT UNIT PRICES WILL BE ALLOWED FOR DEWATERING COSTS.
2. COMPACTED TRENCH BACKFILL SHALL BE INSTALLED UNDER ALL EXISTING, PROPOSED, OR FUTURE PAVEMENTS, SIDEWALKS, OR ALLEYS. THE IDOT BUREAU OF CONSTRUCTION "TRENCH BACKFILL TABLE" WILL BE USED TO DETERMINE THE VOLUME OF TRENCH BACKFILL TO BE PAID FOR UNDER ITEM 20600150 TRENCH BACKFILL. BACKFILLING OF WATER AND SANITARY PIPES SHALL NOT BE INCLUDED IN ITEM 20600150 TRENCH BACKFILL.
3. EXISTING ACCEPTABLE EXCAVATED SOIL MATERIALS MAY BE USED FOR COMPACTED BEDDING AND HAUNCHING MATERIALS. INCLUDE COST FOR COMPACTED BEDDING AND HAUNCHING MATERIALS IN THE PIPE CONTRACT UNIT PRICES.

Missman, Inc.
Professional Engineers & Land Surveyors

Rock Island, IL • Bettendorf, IA • Rockford, IL • Sycamore, IL
(309) 788-7644 • (563) 244-0280 • (815) 952-5400 • (815) 895-3825
www.missman.com

STATE STREET RE-CONSTRUCTION
GENESECO, ILLINOIS

DISTRICT STANDARDS - 7

Missman Project No:
A10M008

File Name:
A10M008.DISTRICT

© COPYRIGHT 2013
ALL RIGHTS RESERVED

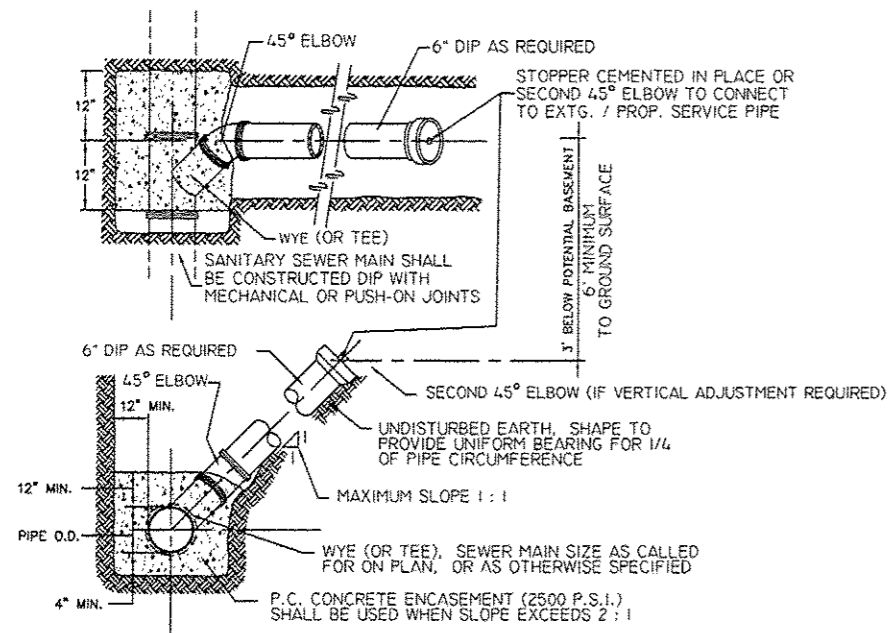
Field Book No:####

Drawn By: WKS
Checked By: JLM
Date: 11/19/2012

67

Sheet 67 of 99

IL DESIGN FIRM NO. 184-000843

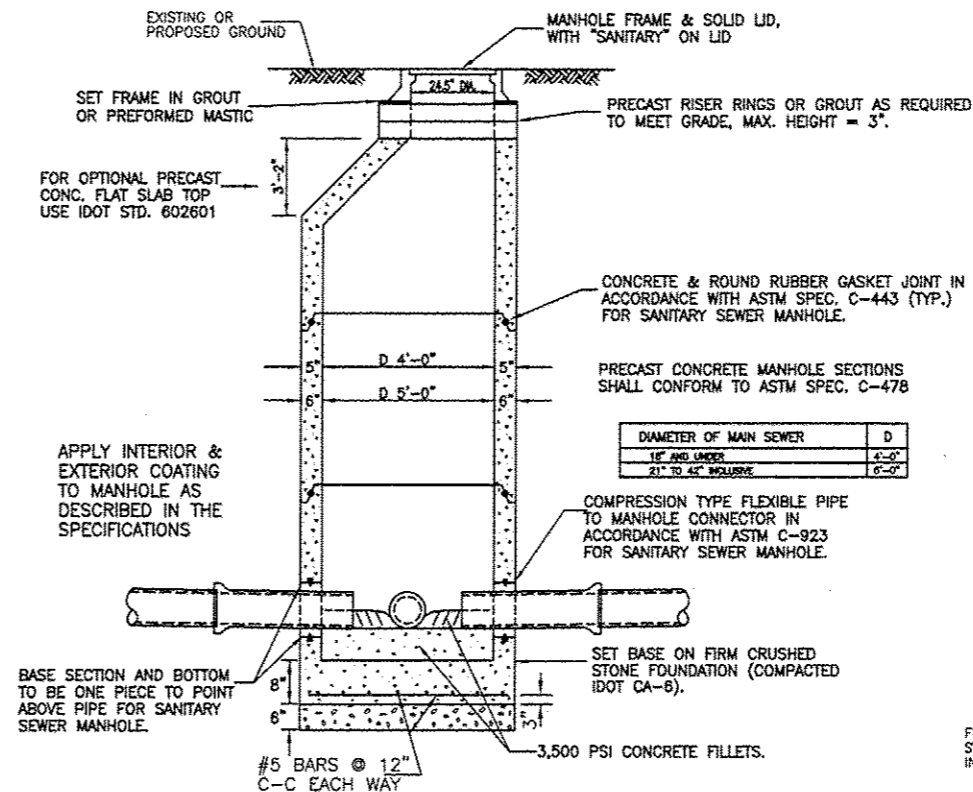


NOTE:
RISERS TO BE CONSTRUCTED WHERE SEWER DEPTH EXCEEDS 6' BELOW POTENTIAL BASEMENT.

ALL SANITARY SERVICE SEWER IN R.O.W. SHALL BE 6" DIP.

DIP SANITARY SEWER	
SIZE	PRESSURE CLASS
6", 10" & 12"	350
16"	250
30"	150

TYPICAL SANITARY SERVICE CONNECTION AND SANITARY SEWER MAIN



PROPOSED SANITARY MANHOLE 4' OR 5'
MANHOLES, TYPE A, 4' OR 5' -DIAMETER, TYPE 1 FRAME, CLOSED LID, SPECIAL (SANITARY)
(MANHOLES FOR SANITARY SEWERS)
NO SCALE

FURNISHING AND INSTALLING CRUSHED STONE FOUNDATION, FRAME, AND LID TO BE INCLUDED IN THE CONTRACT UNIT PRICE.

Revised 4/18/13