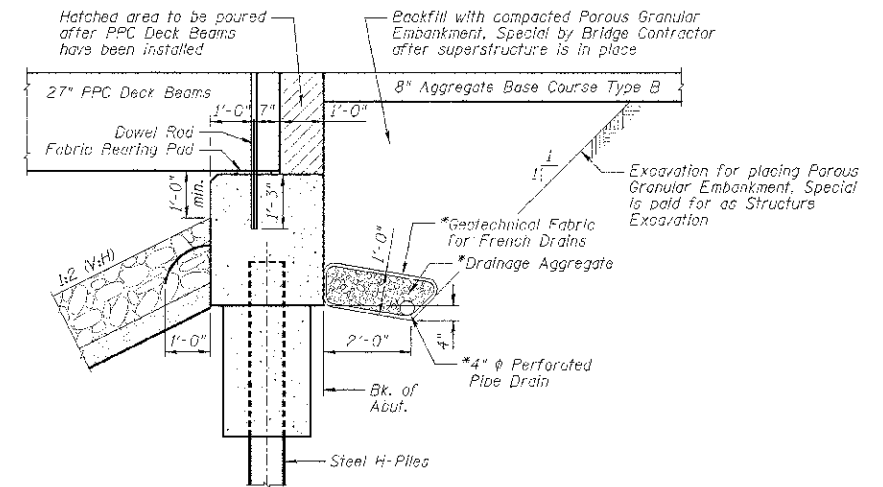


TOTAL BILL OF MATERIAL

ITEMS	UNITS	SUPER	SUB	TOTAL
Channel Excavation	Cu. Yd.		228	228
Stone Riprap, Class A4	Sq. Yd.		386	386
Filter Fabric	Sq. Yd.		386	386
Removal of Existing Structures	Each	1		1
Structure Excavation	Cu. Yd.		58	58
Concrete Structures	Cu. Yd.		25.2	25.2
Concrete Encasement	Cu. Yd.		3.6	3.6
Precast Prestressed Concrete Deck Beams (27" Depth)	Sq. Ft.	1,580		1,580
Reinforcement Bars, Epoxy Coated	Pound		3,270	3,270
Steel Rolling, Type S1	Foot	122		122
Furnishing Steel Piles HP10x42	Foot		305	305
Driving Piles	Foot		305	305
Test Pile HP10x42	Each		1	1
Name Plates	Each	1		1
Pipe Underdrains For Structures 4"	Foot		120	120
Parous Granular Embankment, Special	Cu. Yd.		58	58

TRIBUTARY TO VERMILION RIVER
 BUILT 20__ BY
 LIVINGSTON COUNTY
 SECTION 11-17129-01-BR
 STATION 20+15.00
 STR. NO. 053-4204 LOADING HL-93

NAME PLATE
 See Standard 515001



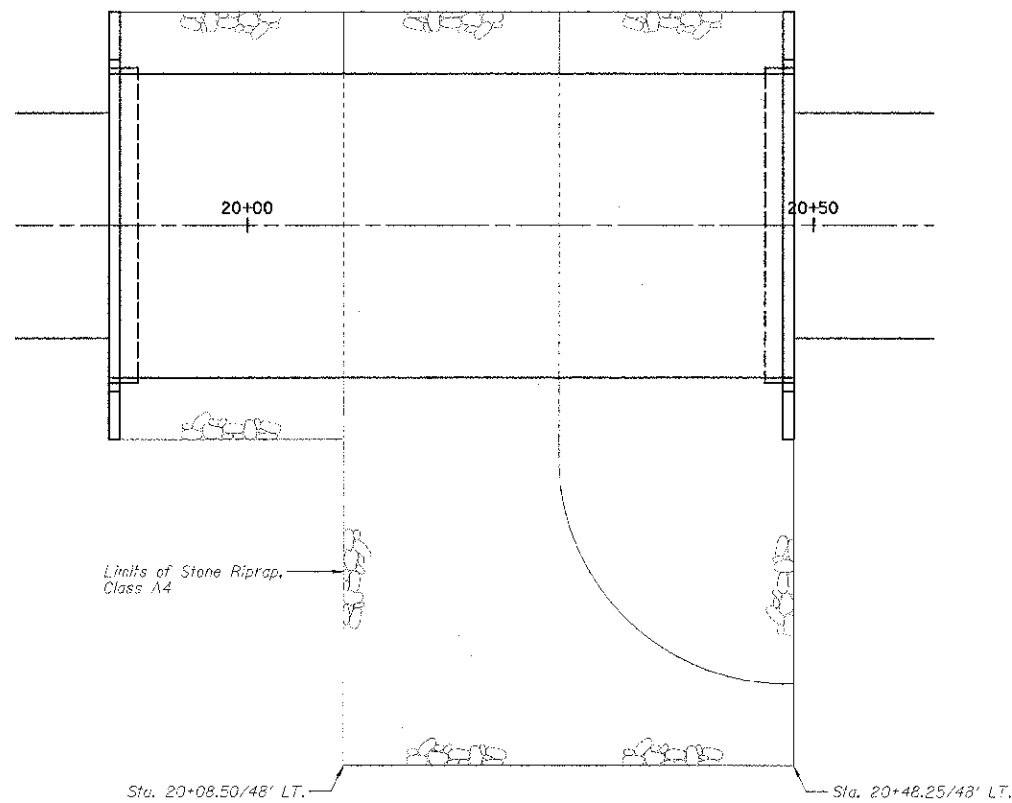
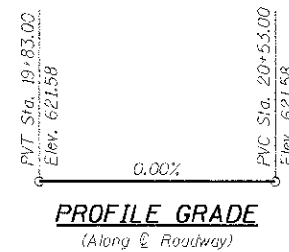
SECTION THRU NORTH ABUTMENT
 (Similar for South Abutment)

NOTES:

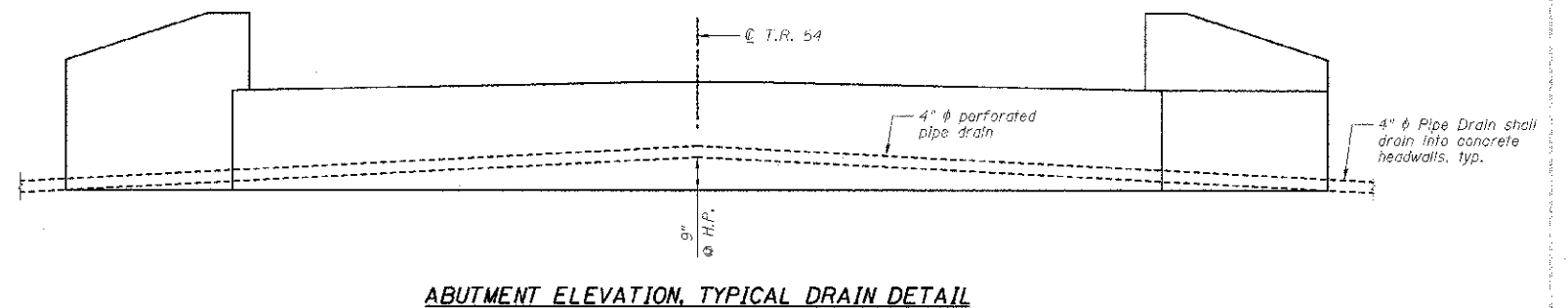
- *Included in cost of Pipe Underdrains For Structures.
- All drainage system components shall extend to 2'-0" from the end of each wingwall except an outlet pipe shall extend until intersecting with the side slopes. The pipes shall drain into concrete headwalls. (See Article 601.05 of the Standard Specifications and Highway Standard 601101).

GENERAL NOTES:

- Reinforcement bars designated (E) shall be epoxy coated.
- Layout of the slope protection system may be varied to suit ground conditions in the field as directed by the Engineer.
- The embankment configuration shown shall be the minimum that must be placed and compacted prior to construction of the abutments.
- Excavation behind existing abutment walls shall be performed to balance front and back soil pressure before removing the existing superstructure.



RIPRAP LAYOUT



ABUTMENT ELEVATION, TYPICAL DRAIN DETAIL

Farnsworth GROUP, INC.
 2709 McGraw Drive
 Bloomington, Illinois 61704
 309/883-9433, 309/883-1871 fax

DATE - 01/18/13

DESIGNED - CEE
 CHECKED - JML
 DRAWN - DJM
 CHECKED - MSW

REVISED
 REVISED
 REVISED

**STATE OF ILLINOIS
 DEPARTMENT OF TRANSPORTATION**

**GENERAL DATA
 STRUCTURE NO. 053-4204**

SHEET NO. B2 OF 9 SHEETS

T.R.	SECTION	COUNTY	TOTAL SHEETS	SHEET NO.
54	11-17129-01-BR	LIVINGSTON	16	7
CONTRACT NO. 87503				
ILLINOIS FED. AID PROJECT				