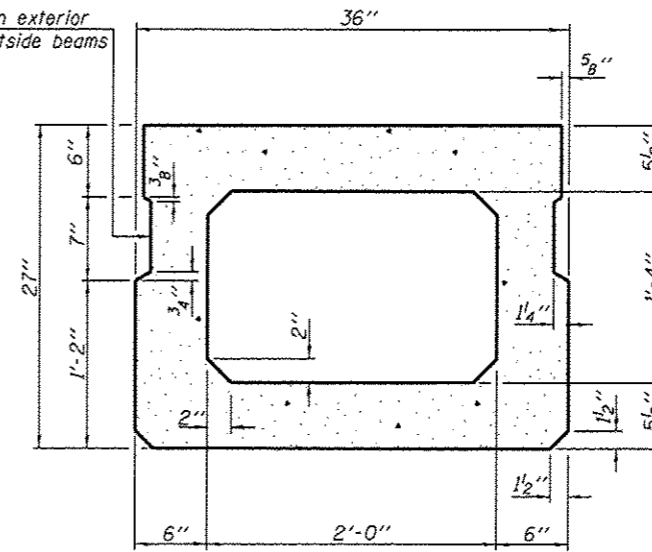


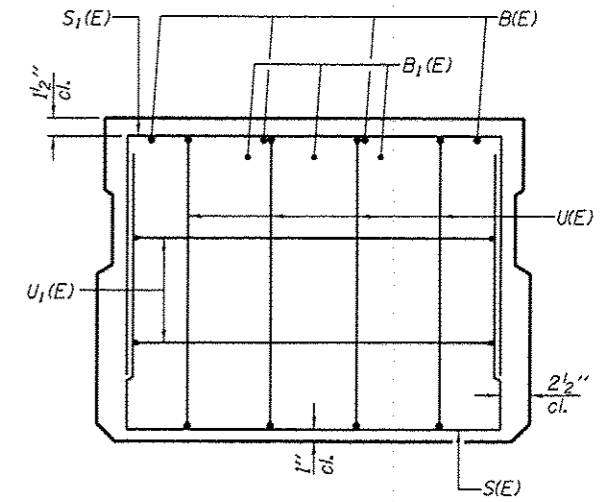
SECTION C-C

* Rail Post Anchor devices (specified elsewhere)
To be cast into Exterior Face of Outside Beams.

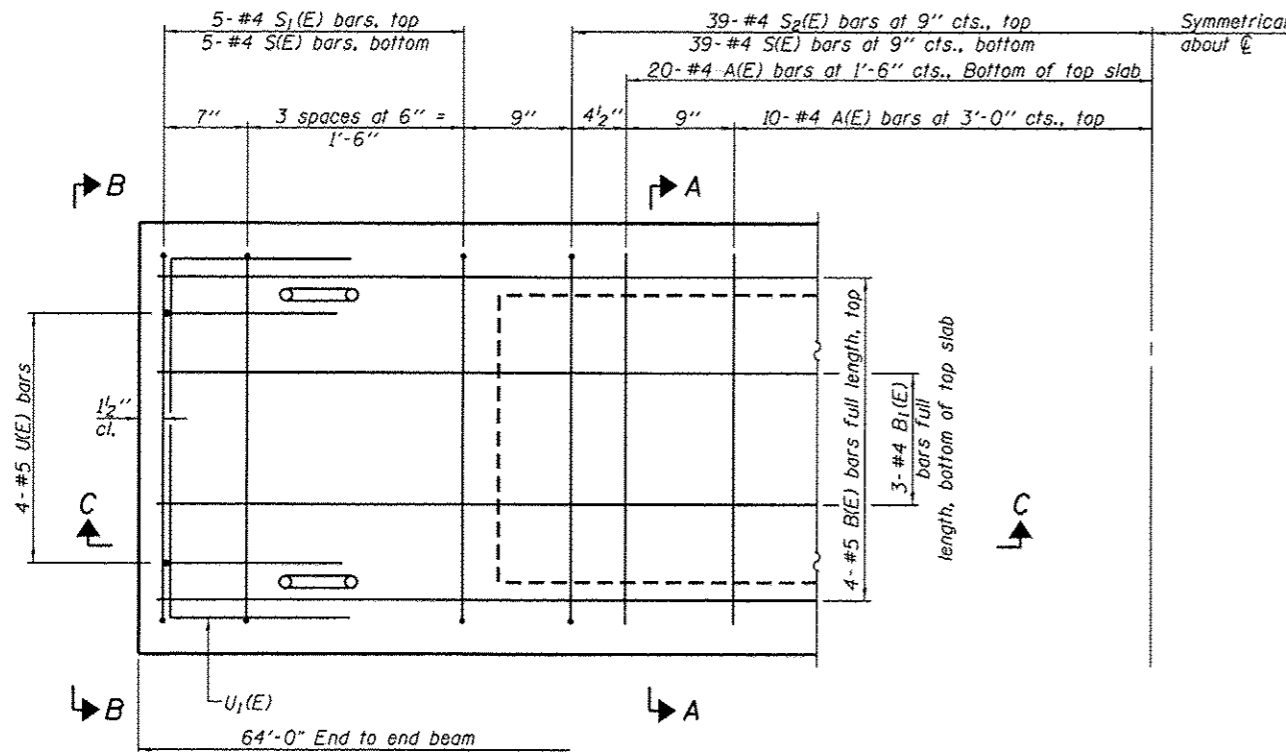
* Omit key on exterior
face of outside beams



SECTION A-A
(Showing dimensions)

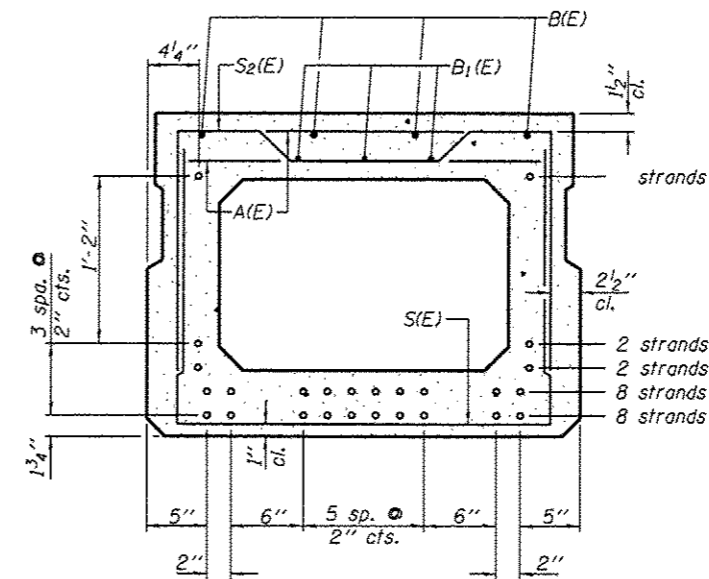


VIEW B-B



PLAN VIEW

Note: Spacing of S(E) and S2(E) bars may be adjusted
up to 4' in the immediate area of the transverse
tie diaphragms to miss the block outs for the
transverse ties.



SECTION A-A

(Showing reinforcement and permissible strand locations)
Note: Place the number of strands specified in each row
symmetrically about the centerline of beam in the
permissible strand locations shown.

BAR LIST
ONE BEAM ONLY
(For information only)

Bar	No.	Size	Length	Shape
A(E)	60	#4	2'-7"	—
B(E)	4	#5	63'-9"	—
B1(E)	3	#4	63'-9"	—
S(E)	88	#4	6'-5"	U
S1(E)	10	#4	5'-11"	U
S2(E)	78	#4	6'-2"	U
U(E)	8	#5	4'-8"	C
U1(E)	4	#4	5'-0"	C

Note: See sheet 3 of 7 for additional details
and Bill of Material.

PD-2736-0

10-1-08

CEC Cummins
Engineering
Corporation
Civil and Structural Engineering

JOB = 2228	DESIGNED	A.A.N.
FILE = 2228super.dgn	CHECKED	M.D.C.
DATE = 5/14/2009	DRAWN	T.S.H.
	CHECKED	M.D.C.

Sheet 2 of 7	RTE.	SECTION	COUNTY	TOTAL SHEETS	SHEET NO.
	CH 10	08-00092-00-BR	MACOUPIN	23	11
	CONTRACT NO.				
FED. ROAD DIST. NO.		ILLINOIS FED. AID PROJECT		93595	