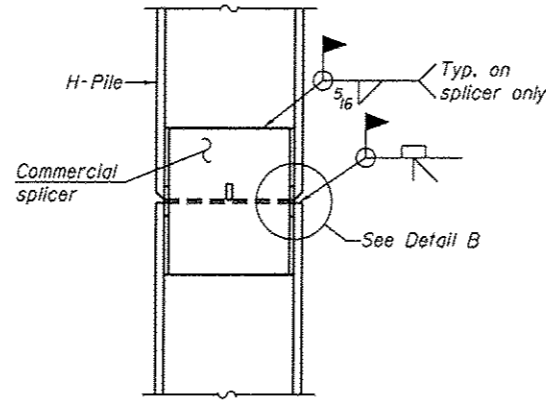
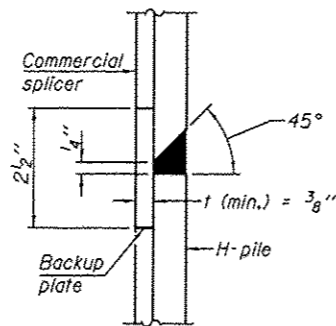


**STEEL PILE TABLE**

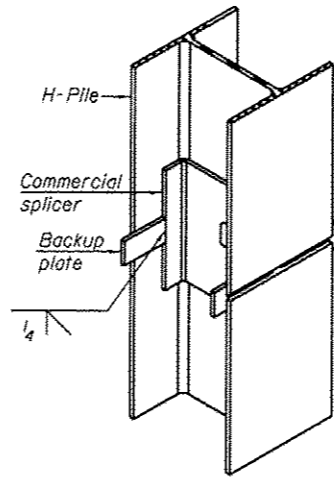
Designation	Depth d	Flange width br	Web and Flange thickness t	Encasement diameter A
HP 14x117	14 1/4"	14 7/8"	13/16"	30"
x102	14"	14 3/4"	1/16"	30"
x89	13 7/8"	14 3/4"	5/8"	30"
x73	13 5/8"	14 5/8"	1/2"	30"
HP 12x84	12 1/4"	12 1/4"	1/16"	24"
x74	12 1/8"	12 1/4"	5/8"	24"
x63	12"	12 1/8"	1/2"	24"
x53	11 3/4"	12"	7/16"	24"
HP 10x57	10"	10 1/4"	9/16"	24"
x42	9 3/4"	10 1/8"	7/16"	24"
HP 8x36	8"	8 1/8"	7/16"	18"



**ELEVATION**

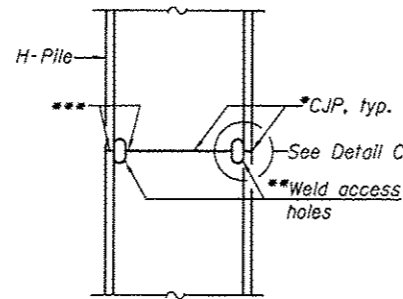


**DETAIL "B"**

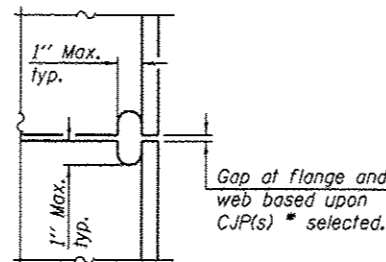


**ISOMETRIC VIEW**

**WELDED COMMERCIAL SPLICE**

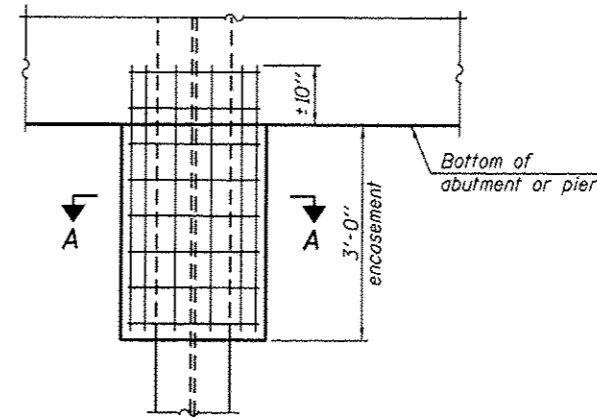


**ELEVATION**

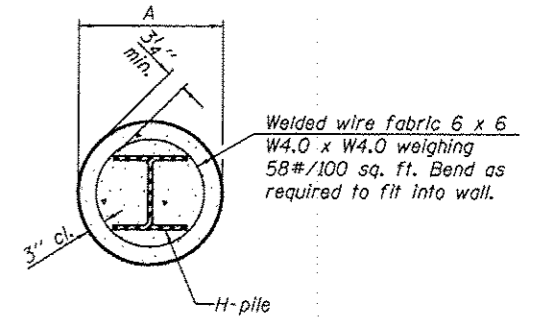


**DETAIL C**

**COMPLETE PENETRATION WELD SPLICE**



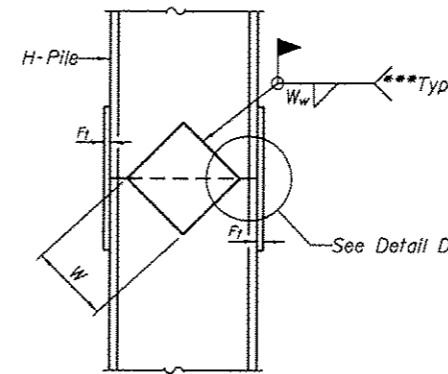
**ELEVATION**



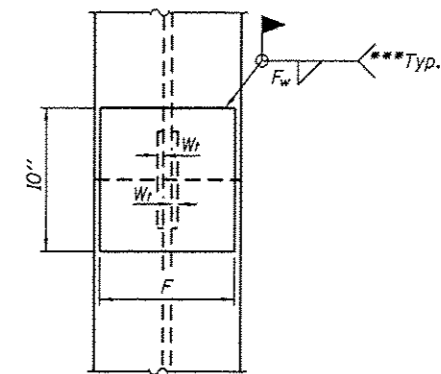
**SECTION A-A**

Note: Forms for encasement may be omitted when soil conditions permit.

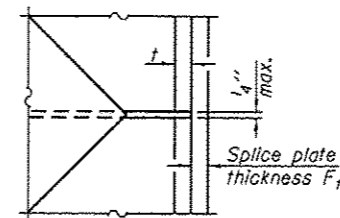
**PILE ENCASEMENT**



**ELEVATION**



**END VIEW**



**DETAIL D**

**WELDED PLATE FIELD SPLICE**

Designation	F	Ft	Fw	W	Wt	Ww
HP 14x117	12 1/2"	1"	7/8"	7 3/4"	5 1/2"	1/2"
x102	12 1/2"	7/8"	3/4"	7 3/4"	5 1/2"	1/2"
x89	12 1/2"	3/4"	1/16"	7 3/4"	5 1/2"	1/2"
x73	12 1/2"	5/8"	9/16"	7 3/4"	5 1/2"	1/2"
HP 12x84	10"	7/8"	1/16"	6 1/2"	5 1/2"	1/2"
x74	10"	7/8"	1/16"	6 1/2"	5 1/2"	1/2"
x63	10"	5/8"	1/2"	6 1/2"	1/2"	3/8"
x53	10"	5/8"	1/2"	6 1/2"	1/2"	3/8"
HP 10x57	8"	3/4"	9/16"	5 1/4"	1/2"	3/8"
x42	8"	5/8"	9/16"	5 1/4"	1/2"	3/8"
HP 8x36	7"	5/8"	7/16"	4 1/4"	1/2"	3/8"

Note: The steel H-piles shall be according to AASHTO M270 Grade 50.

**HP PILE DETAILS  
STRUCTURE NO. 059-3329**

F-HP

5-16-08

\*Use joint conforming to Figure 3.4 in AWS D1.1 Structure Welding Code-Steel.

\*\*Preparation per Fig. 5.2 in AWS D1.1, Structure Welding Code-Steel.

\*\*\*Interrupt welds 1/4" from end of each pile.

**CEC** Cummins Engineering Corporation  
Civil and Structural Engineering

JOB = 2228	DESIGNED	A.A.M.
FILE = 2228pile.dgn	CHECKED	M.D.C.
DATE = 5/14/2009	DRAWN	T.S.H.
	CHECKED	M.D.C.

Sheet 7 of 7	RTE.	SECTION	COUNTY	TOTAL SHEETS	SHEET NO.
	CH 10	08-00092-00-BR	MACOUPIN	23	16
	CONTRACT NO.				
FED. ROAD DIST. NO. [ILLINOIS] FED. AID PROJECT 93595					