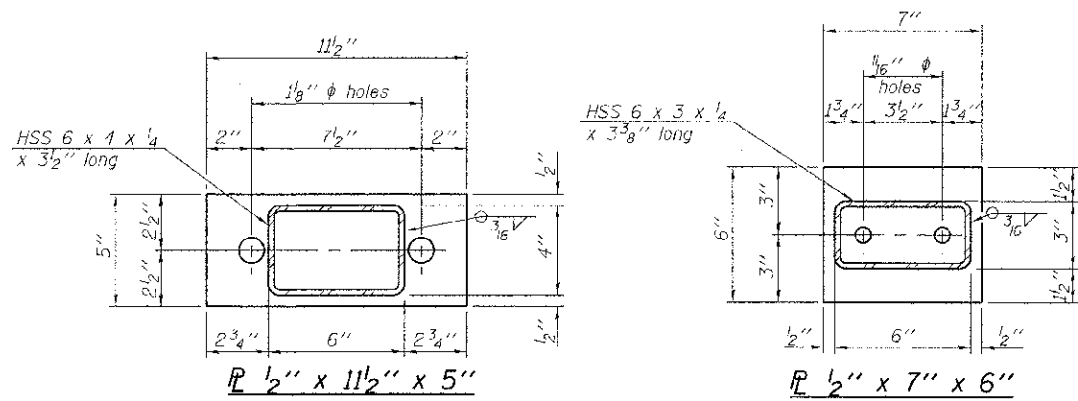


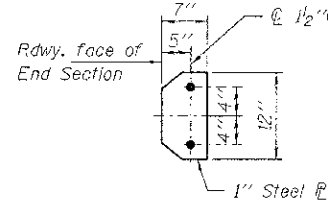
VIEW A-A
ROUND HEAD BOLT



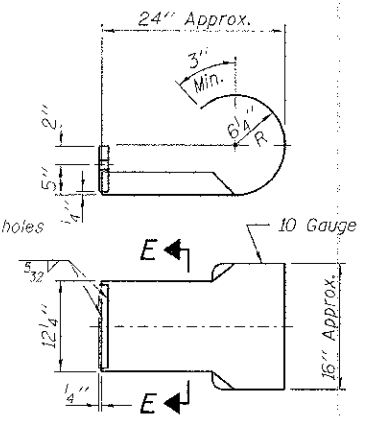
SECTION B-B
R 1/2\" x 11 1/2\" x 5\"

SECTION AT RAILING POST
R 1/2\" x 7\" x 6\"

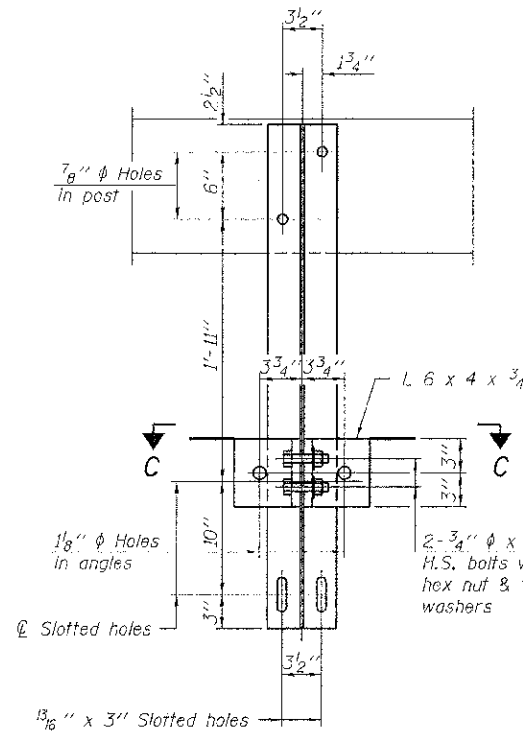
Note: Cost of curled end sections shall be included with the Steel Railing. (4 Required)



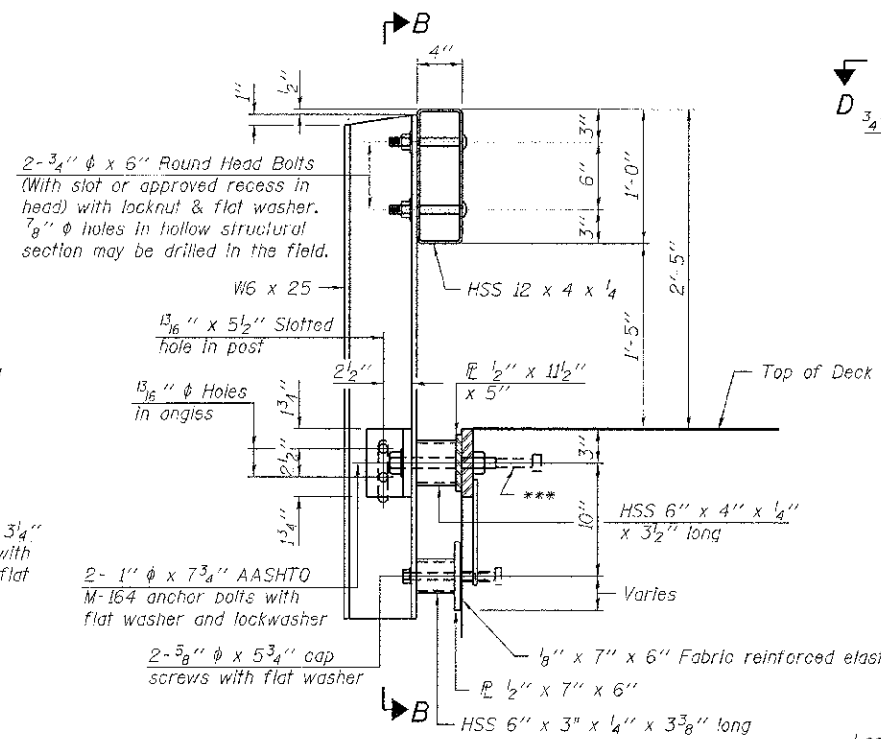
SECTION E-E



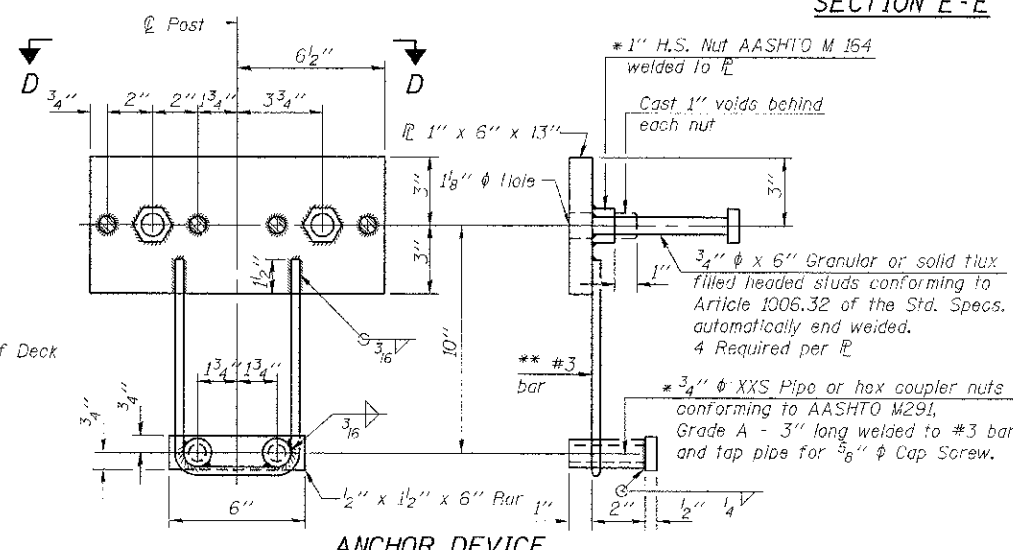
CURLED END SECTION DETAILS



SECTION C-C

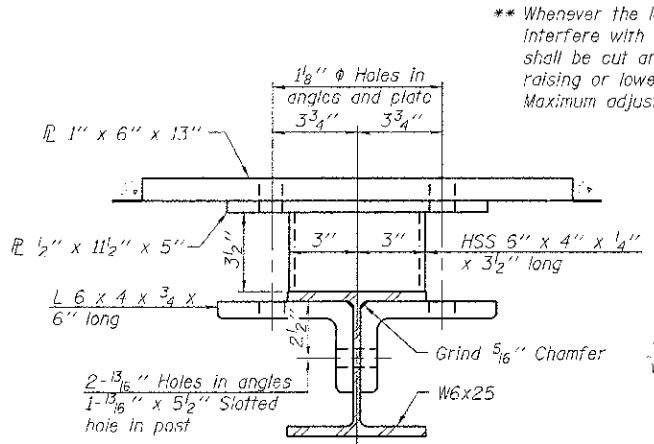


SECTION AT RAILING POST

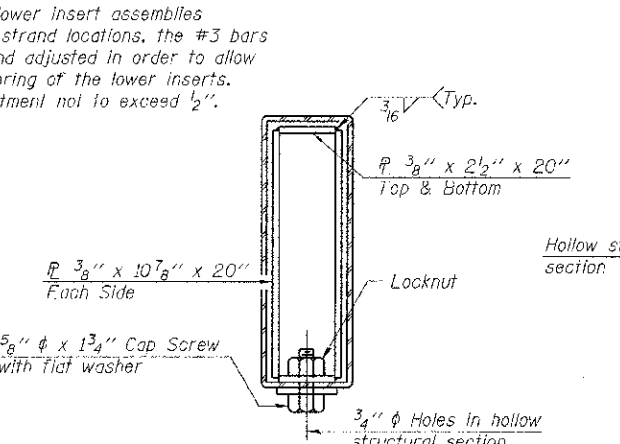


ANCHOR DEVICE

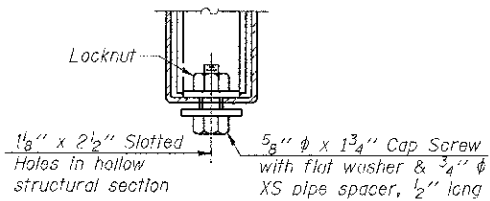
Notes:
All field drilled holes shall be coated with an approved zinc rich paint before erection.
For multi-span bridges, sufficient 1/4\"/>



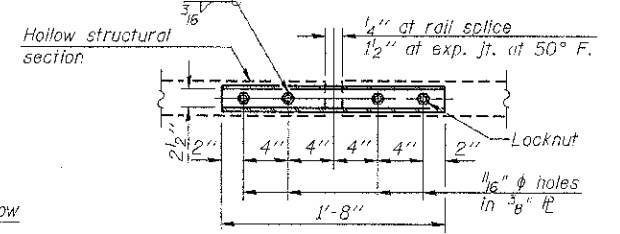
SECTION C-C



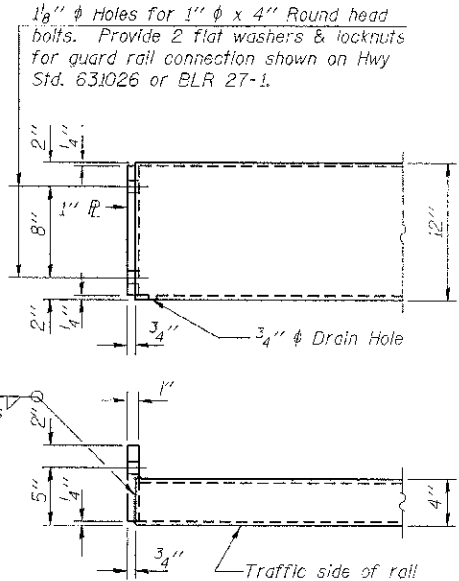
SECTIONS AT RAIL SPLICE



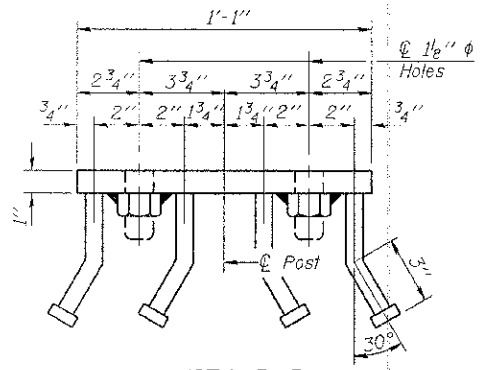
RAIL SPLICE CONNECTION AT EXPANSION JT.



PLAN-BOTT. SPLICE R TYPICAL



END OF RAIL DETAILS



VIEW D-D

BILL OF MATERIAL

Item	Unit	Quantity
Steel Railing, Type S-1	Foot	109

R-23A 7-1-10 (10'-9\"/>

FILE NAME = 100369-shr-br-dg-dgn	USER NAME =	DESIGNED = D.W.T.	REVISED =
HAMPTON, LENZINI AND RENWICK, INC.		CHECKED = S.W.M.	REVISED =
380 STEVENSON DRIVE, SUITE 200		DRAWN = D.A.B.	REVISED =
SPRINGFIELD, ILLINOIS 62765		CHECKED = S.W.M.	REVISED =
ILLINOIS PROFESSIONAL DESIGN FIRM			
EST. 1972			

STATE OF ILLINOIS
EDWARDS COUNTY HIGHWAY DEPARTMENT

STEEL RAILING, TYPE S-1
STRUCTURE NO. 024-3142

T.R.	SECTION	COUNTY	TOTAL SHEETS	SHEET NO.
G2	10-C2118-00-BR	EDWARDS	13	9
ROAD DISTRICT #2		CONTRACT NO.	95683	
		ILLINOIS	FED. AID PROJECT BROS-047037	

SHEET NO. 5 OF 9 SHEETS