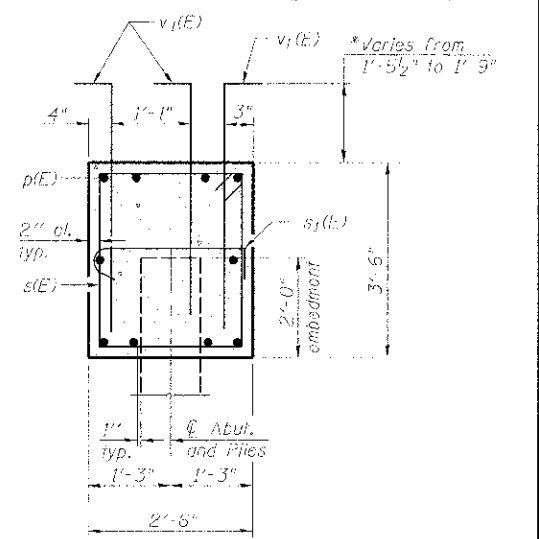
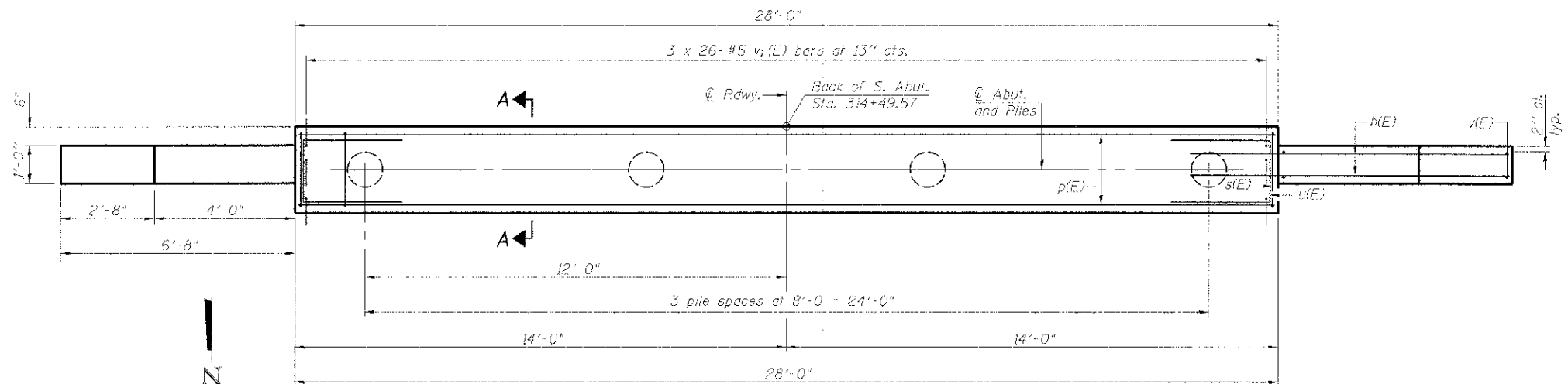


ELEVATION



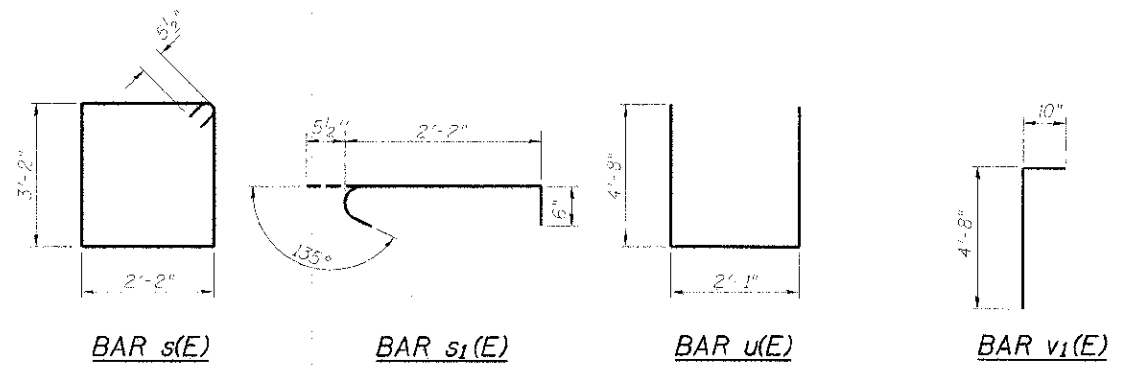
SECTION A-A



PLAN

PILE DATA

Type: Metal Shell 12" x 0.25"
 Nominal Required Bearing: 355 kips
 Factored Resistance Available: 195 kips
 Pile Length: 40'
 No. Production Piles: 3
 No. Test Piles: 1
 For details of piles see sheet 8 of 9.



BILL OF MATERIAL

Bar	No.	Size	Length	Shape
v1(E)	28	#5	5'-0"	—
p(E)	10	#7	27'-8"	—
s(E)	31	#5	11'-5"	□
s1(E)	31	#5	3'-1 1/2"	—
u(E)	8	#6	11'-5"	—
v(E)	28	#5	5'-0"	—
v1(E)	78	#5	5'-6"	—
			Cu. Yd.	61
Structure Excavation			Cu. Yd.	11.6
Concrete Structures			Cu. Yd.	11.6
Reinforcement Bars, Epoxy Coated			Pound	2050
Furnishing Metal Shell Piles, 12" x 0.25" Driving Piles			Foot	120
Test Pile Metal Shells			Each	1
Granular Backfill For Structures			Cu. Yd.	27



DESIGNED	SMM	REVISED	
CHECKED	RDC	REVISED	
DRAWN	SMM	REVISED	
CHECKED	RLH	REVISED	

**MACON COUNTY
HIGHWAY DEPARTMENT**

**SOUTH ABUTMENT
STRUCTURE NO. 058-3396**

SHEET NO. 5 OF 9 SHEETS

F.A.S. (RTE.)	SECTION	COUNTY	TOTAL SHEETS	SHEET NO.
546	10-00231-00-BR	MACON	25	16
			CONTRACT NO. 95694	
ILLINOIS FED. AID PROJECT				