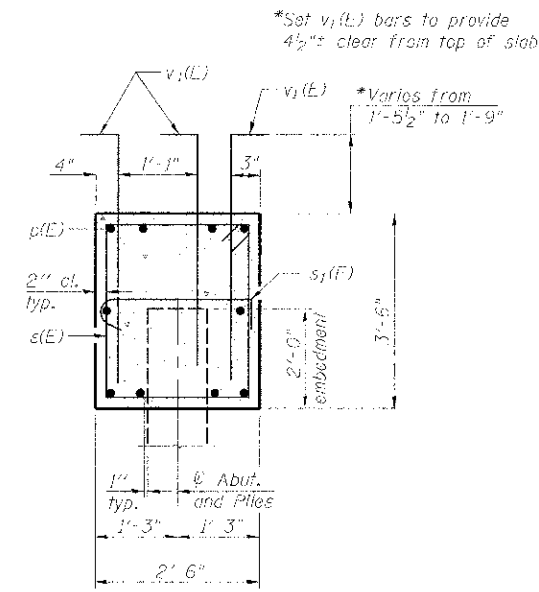
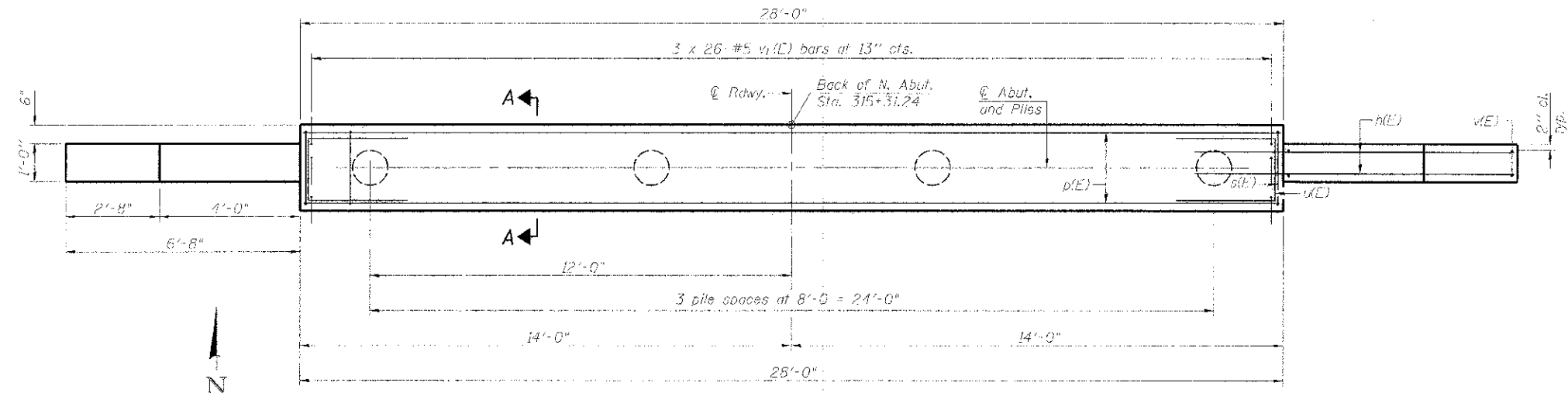


ELEVATION



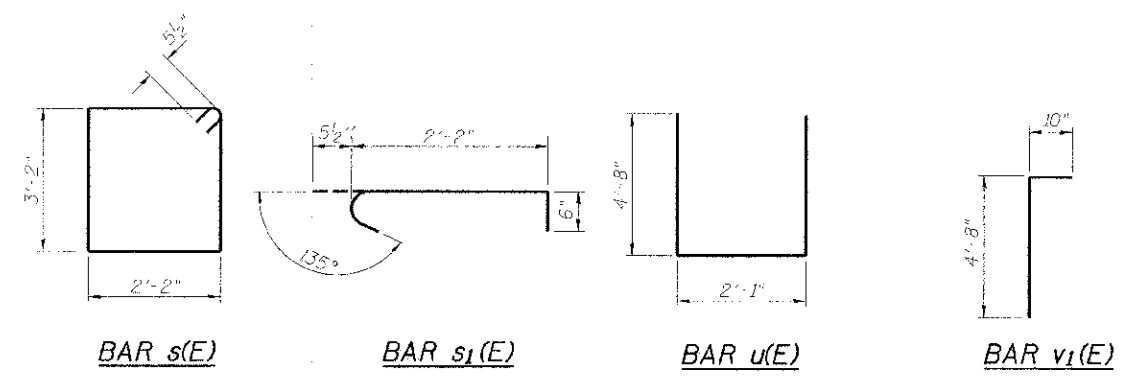
SECTION A-A



PLAN

PILE DATA

Type: Metal Shell 12" x 0.25"
 Nominal Required Bearing: 355 kips
 Factored Resistance Available: 195 kips
 Est. Length: 41'
 No. Production Piles: 4
 No. Test Piles: 0
 For details of piles see sheet 8 of 9.



BILL OF MATERIAL

| Bar | No. | Size | Length | Shape |
|---|-----|------|-----------|-------|
| h(E) | 28 | #5 | 9'-0" | |
| p(E) | 10 | #7 | 27'-8" | |
| s(F) | 31 | #5 | 11'-5" | □ |
| s1(E) | 31 | #5 | 3'-1 1/2" | └ |
| u(E) | 8 | #6 | 11'-5" | └ |
| u(E) | 28 | #5 | 5'-0" | |
| v1(E) | 78 | #5 | 5'-6" | └ |
| Structure Excavation | | | Cu. Yd. | 61 |
| Concrete Structures | | | Cu. Yd. | 11.6 |
| Reinforcement Bars, Epoxy Coated | | | Pound | 2030 |
| Furnishing Metal Shell Piles, 12" x 0.25" | | | Foot | 164 |
| Driving Piles | | | Foot | 164 |
| Granular Backfill For Structures | | | Cu. Yd. | 27 |