

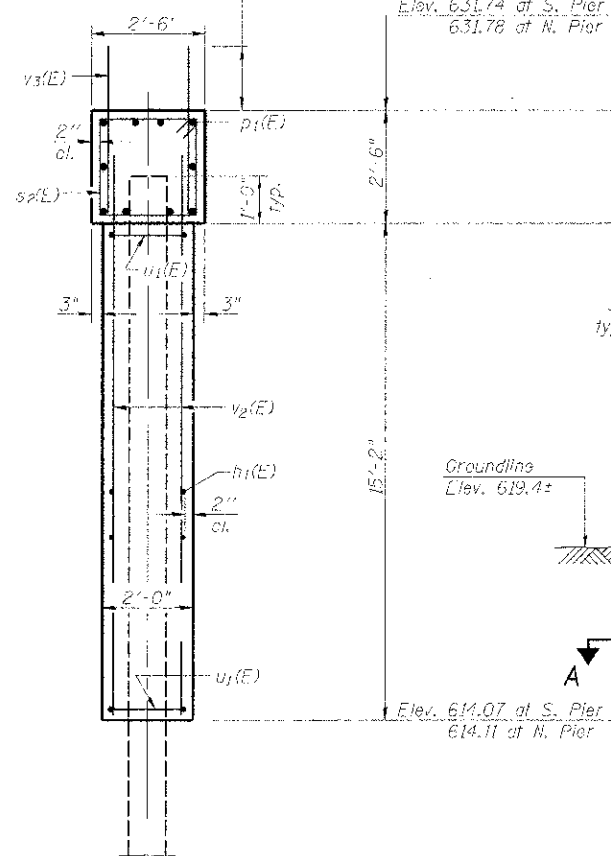
**PILE DATA**

Type: Metal Shell 12" x 0.25"  
 Nominal Required Bearing: 355 kips  
 Factored Resistance Available: 195 kips  
 Est. Length: 42'  
 No. Production Piles: 11  
 No. Test Piles: 1 (at North Pier)

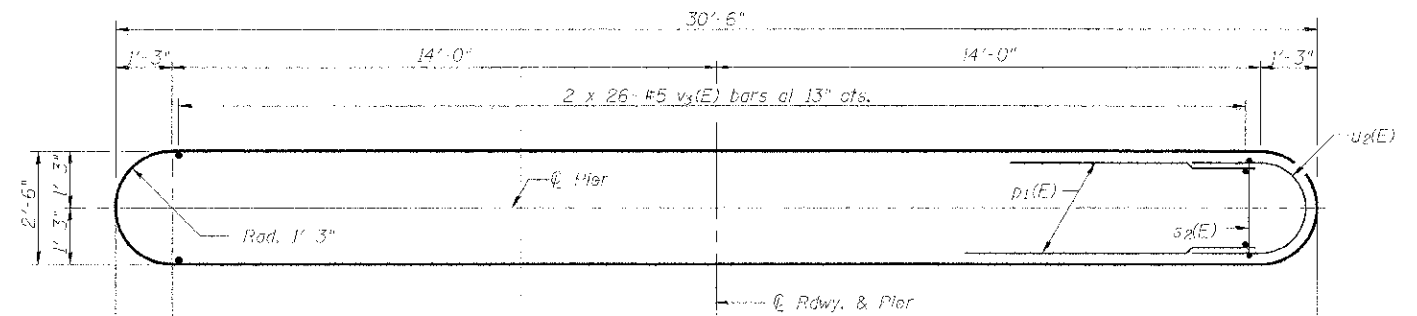
Note:  
 For details of piles, see sheet 8 of 9.

\*Set v<sub>3</sub>(E) bars to provide 4 1/2" clear from top of slab

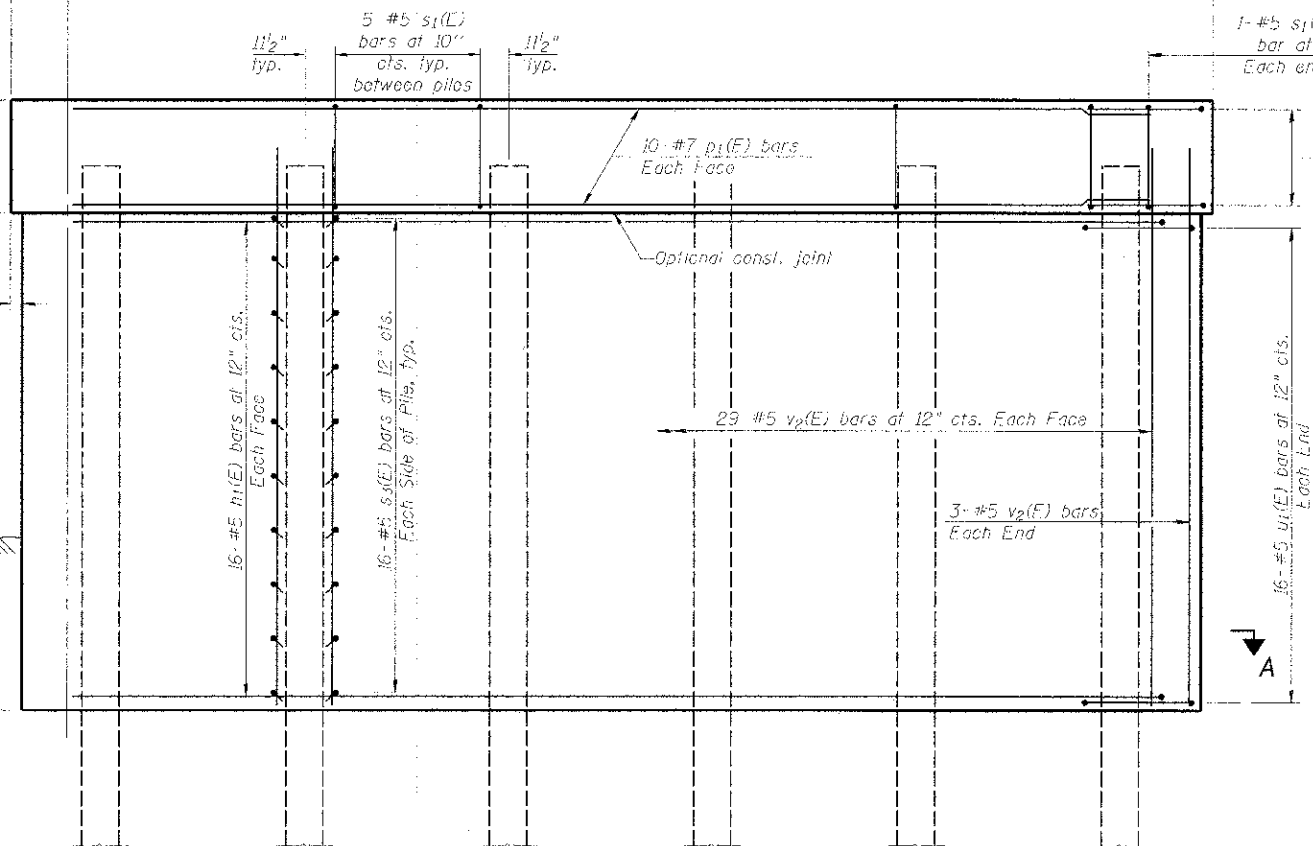
Varies from 1' 5 1/2" to 1' 9"



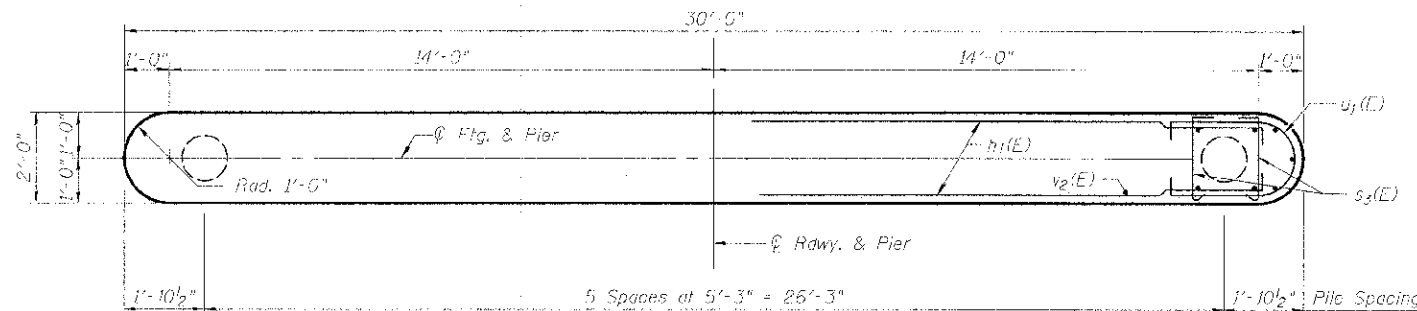
**END VIEW**



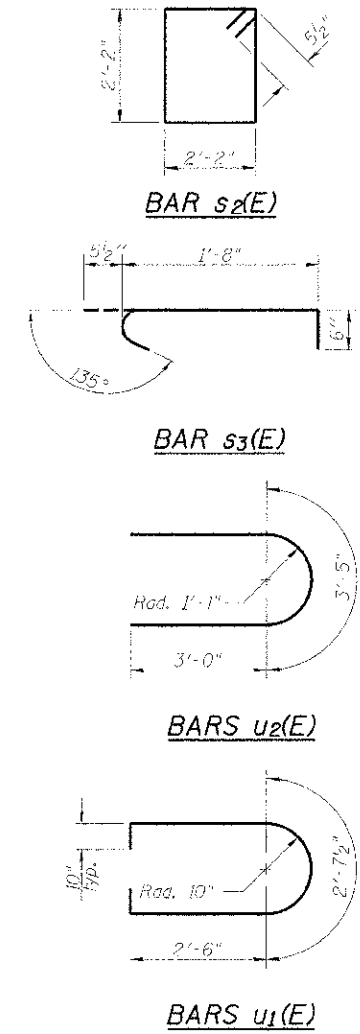
**TOP PLAN**



**ELEVATION**  
(Looking North)

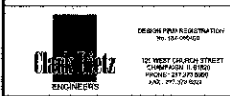


**SECTION A-A**



**BILL OF MATERIAL**  
**TWO PIERS**

Bar	No.	Size	Length	Shape
h <sub>1</sub> (E)	64	#5	28'-0"	—
p <sub>1</sub> (E)	20	#7	28'-0"	—
s <sub>2</sub> (E)	54	#5	9'-7"	□
s <sub>3</sub> (E)	384	#5	2'-7 1/2"	┌
u <sub>1</sub> (E)	64	#5	9'-3 1/2"	U
u <sub>2</sub> (E)	12	#5	9'-5"	U
v <sub>2</sub> (E)	128	#5	16'-3"	—
v <sub>3</sub> (E)	104	#5	3'-10"	—
Cofferdam Excavation		Cu. Yd.	94	
Concrete Structures		Cu. Yd.	80.3	
Reinforcement Bars		Pounds	79,30	
Epoxy Coated				
Furnishing Metal Shell Piles, 12" x 0.25"		Foot	402	
Driving Piles		Foot	462	
Test Pile Metal Shells		Each	1	
Cofferdam (Type 1)		Each	1	
(Location 1) - S. Pier				
Cofferdam (Type 1)		Each	1	
(Location 2) - N. Pier				



DESIGNED - SMM	REVISED -
CHECKED - RDC	REVISED -
DRAWN - SMM	REVISED -
CHECKED - RLH	REVISED -

**MACON COUNTY**  
**HIGHWAY DEPARTMENT**

**PIERS**  
**STRUCTURE NO. 058-3396**

SHEET NO. 7 OF 9 SHEETS

F.A.S. RTE.	SECTION	COUNTY	TOTAL SHEET NO.
546	10-00237-00-BR	MACON	25 18
			CONTRACT NO. 95694
ILLINOISIFIED, AID PROJECT			