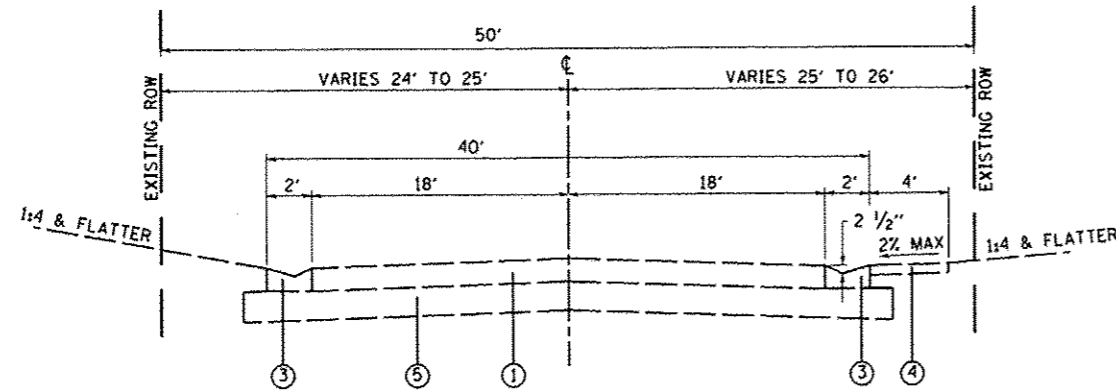


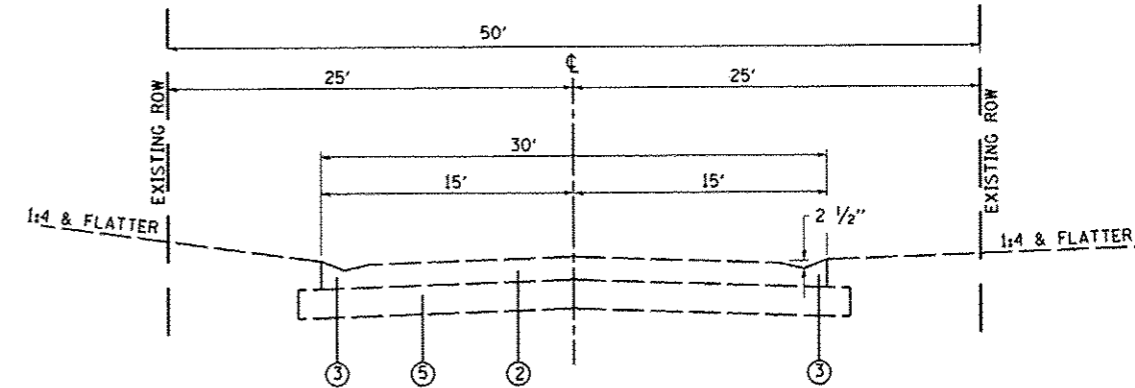
**TYPICAL SECTION LEGEND**

- ① EXISTING HOT-MIX ASPHALT PAVEMENT
- ② EXISTING CONCRETE PAVEMENT
- ③ EXISTING CONCRETE GUTTER
- ④ EXISTING PCC SIDEWALK
- ⑤ EXISTING PAVEMENT BASE
- ⑥ PROPOSED PCC SIDEWALK, 4"



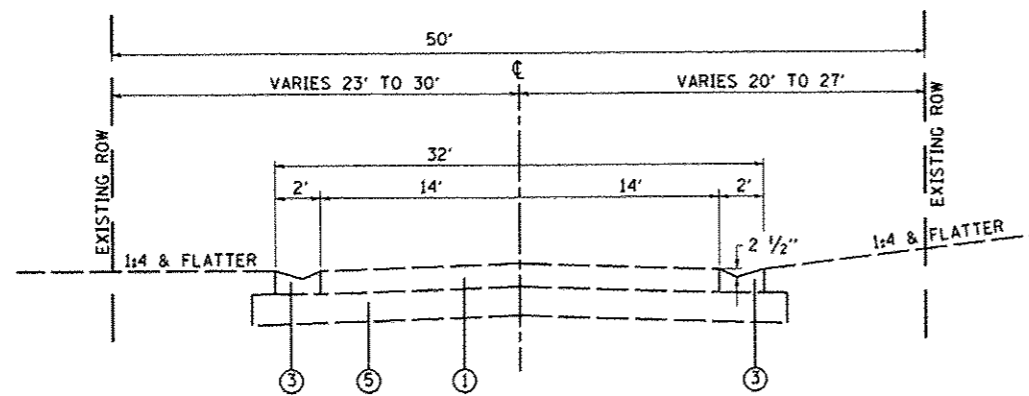
**EXISTING CAMELOT DRIVE**

STA. 39+59.82 TO STA. 43+96.02  
GOLFVIEW TO RENFRO SCHOOL (WEST ENTRANCE)



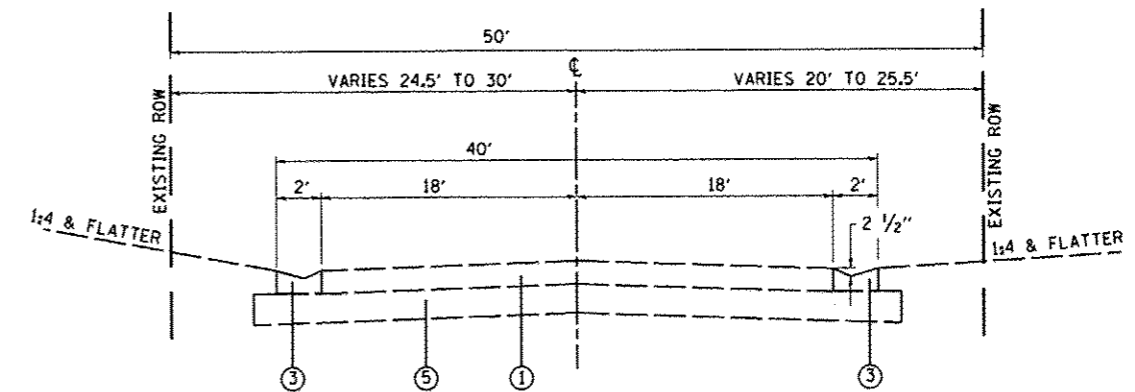
**EXISTING KING ARTHUR COURT**

STA. 100+00.00 TO STA. 103+59.23



**EXISTING CAMELOT DRIVE**

STA. 10+00.00 TO STA. 39+59.82  
KEEBLER TO GOLFVIEW



**EXISTING CAMELOT DRIVE**

STA. 43+96.02 TO STA. 46+28.74  
RENFRO SCHOOL (WEST ENTRANCE) TO RENFRO SCHOOL (EAST ENTRANCE)

FILE NAME : h:\p\29869\microstation\cadd sheets\082	USER NAME : default	DESIGNED -	REVISED -	<b>STATE OF ILLINOIS DEPARTMENT OF TRANSPORTATION</b>	<b>TYPICAL SECTIONS</b>			F.A. RTE.	SECTION	COUNTY	TOTAL SHEETS	SHEET NO.
	10-00094-00-SW	MADISON	35					5				
	PLOT SCALE : 40.0000' / IN.	CHECKED -	REVISED -		SCALE: NTS	SHEET NO. 1 OF 2 SHEETS	STA.	TO STA.	ILLINOIS FED. AID PROJECT			
	PLOT DATE : 1/7/2013	DATE -	REVISED -									