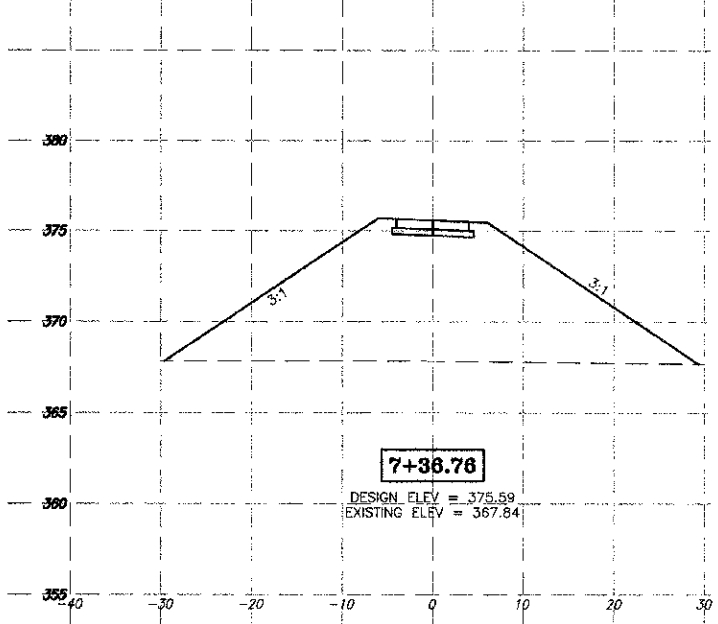
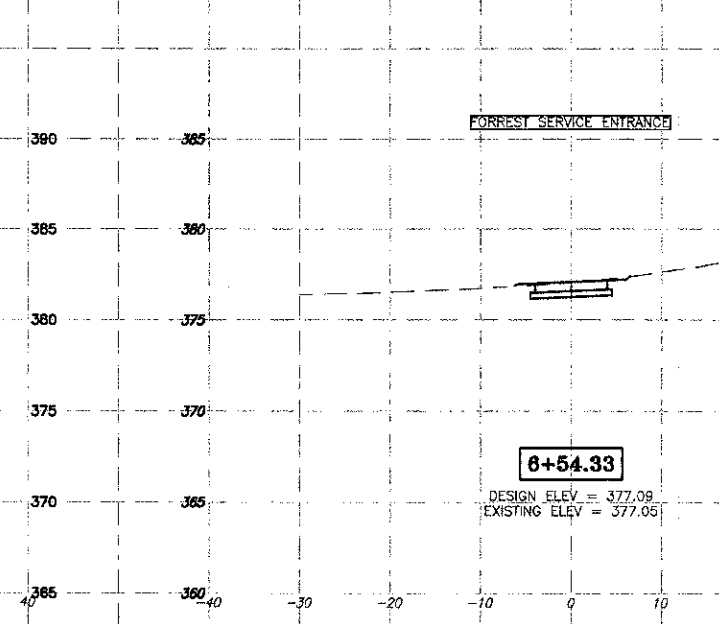
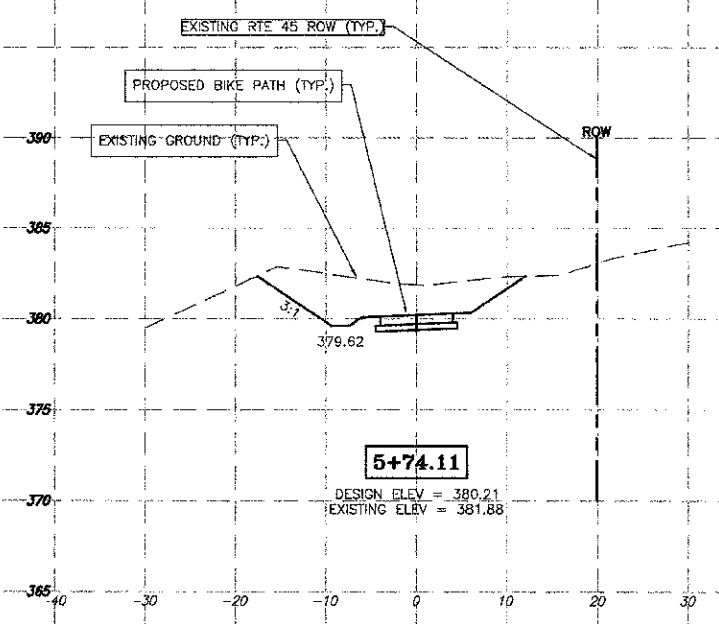
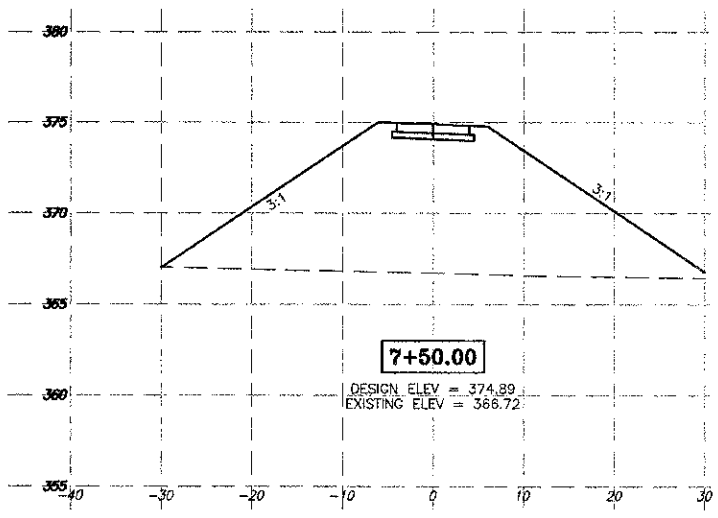
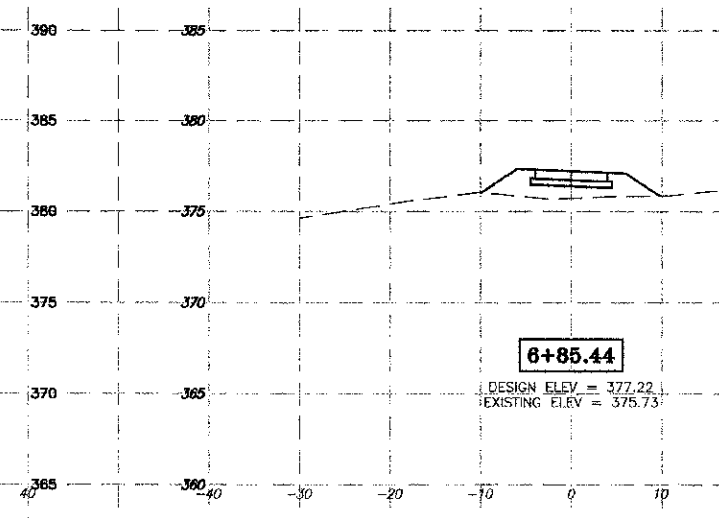
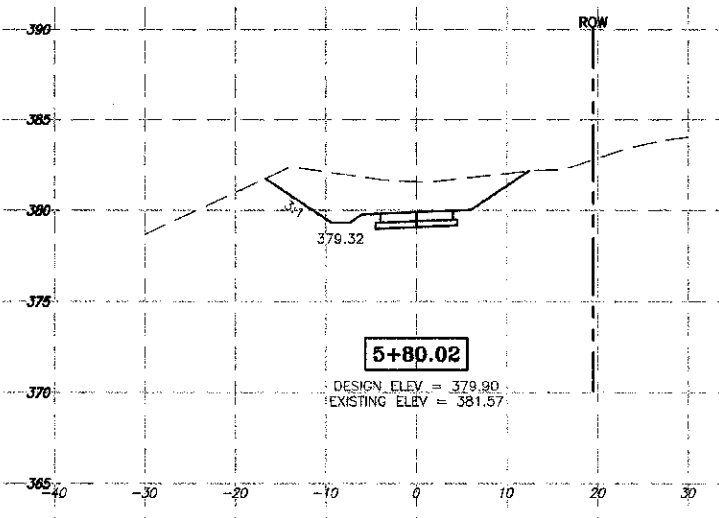
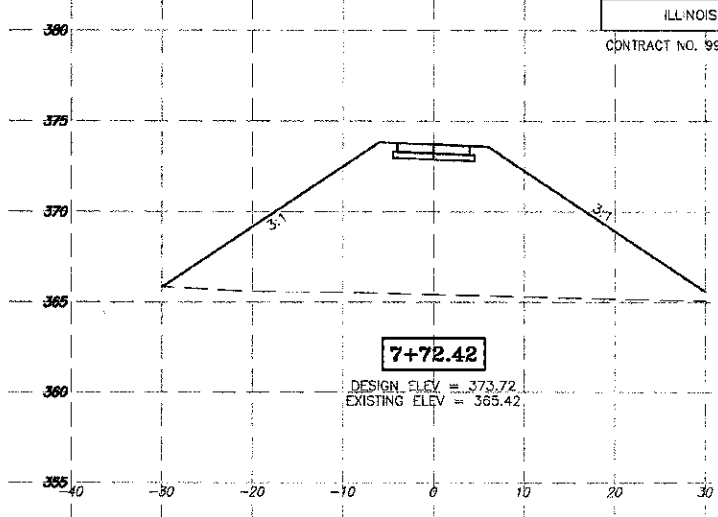
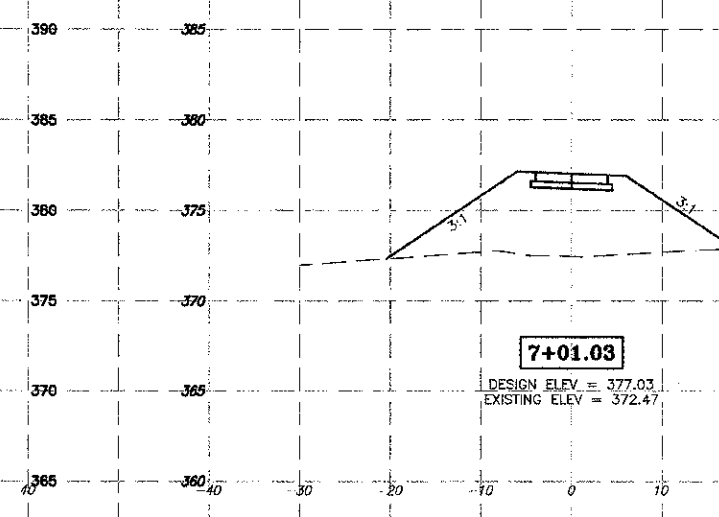
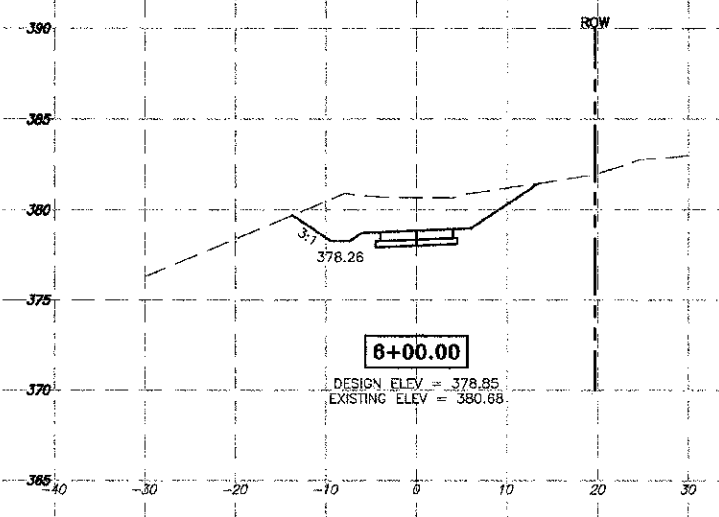


ROUTE NO.	SECTION	COUNTY	TOTAL SHEETS	SHEET NO.
F.A.U. 45	10-00014-00-BT	JOHNSON	13	09
ILLINOIS		BIKE PATH		

CONTRACT NO. 99482



VIENNA BICYCLE/PEDESTRIAN PATH - CROSS-SECTIONS - STA 5+74.11 TO 7+72.42