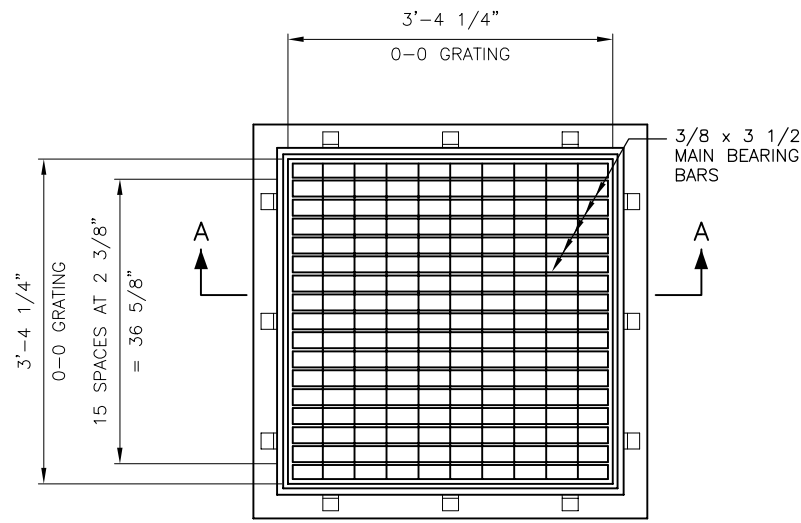


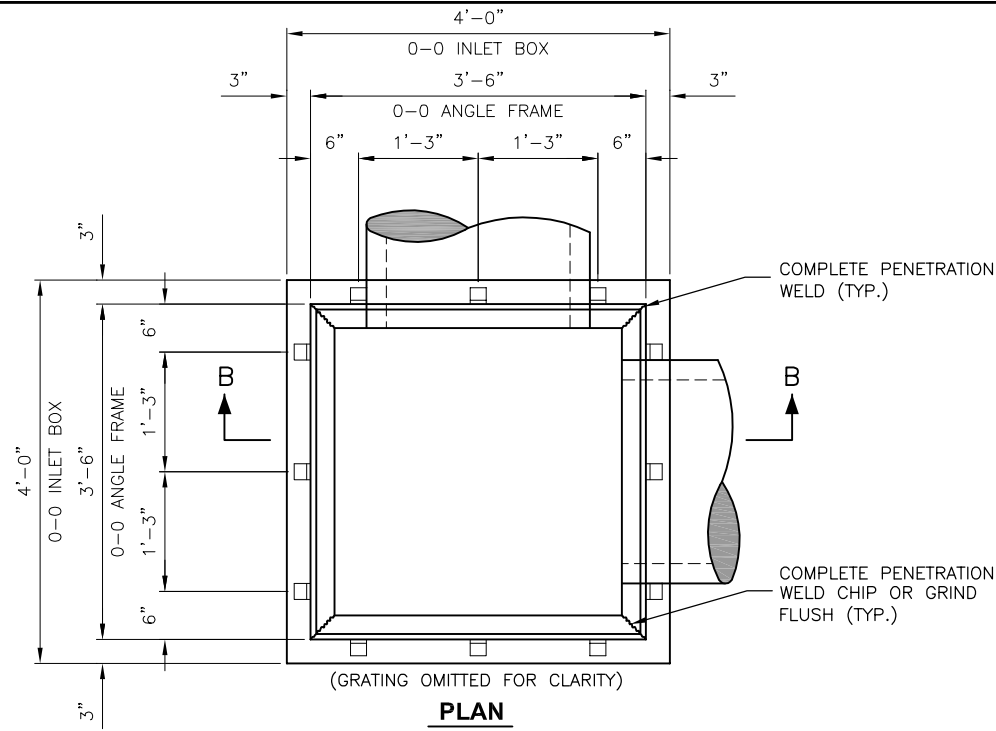
VE048

REVISIONS		
NUMBER	BY	DATE

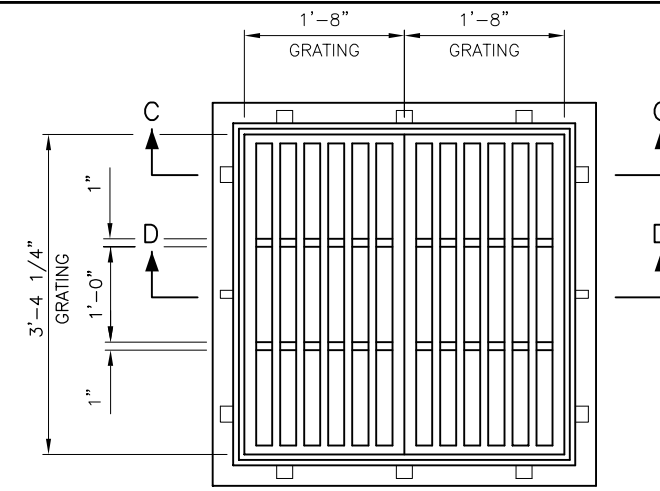
0 1 2
 THIS BAR IS EQUAL TO 2" AT FULL SCALE (34X22).



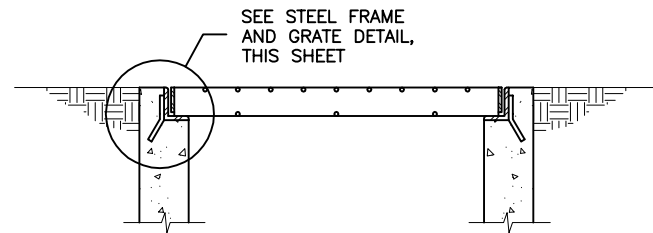
PLAN
N.T.S.



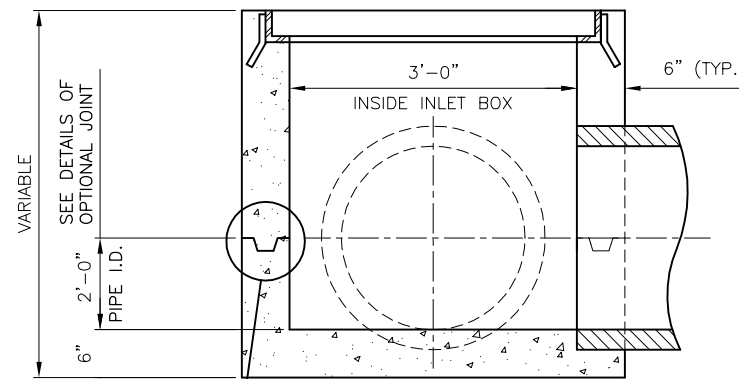
PLAN
N.T.S.



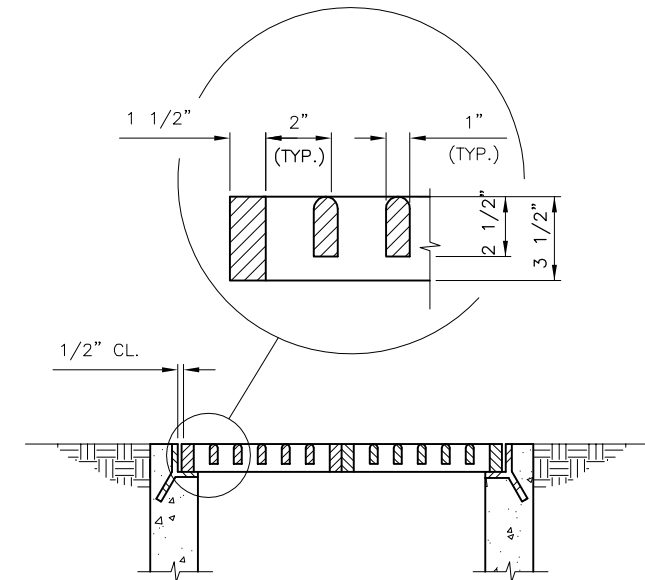
PLAN
N.T.S.



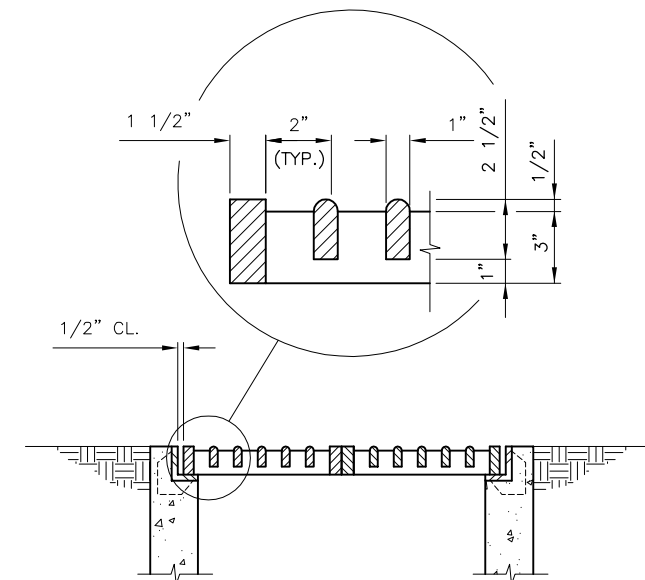
SECTION A-A
N.T.S.



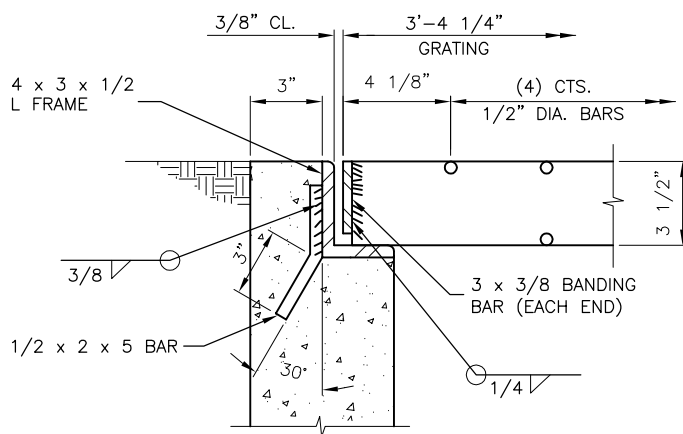
SECTION B-B
N.T.S.



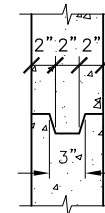
SECTION C-C
N.T.S.



SECTION D-D
N.T.S.



STEEL FRAME & GRATE DETAIL
N.T.S.



OPTIONAL JOINT DETAIL
N.T.S.

INLET NOTE

1. INLET IS AN IDOT STD. 542546, FLUSH INLET BOX FOR MEDIAN.
2. INLET 2 FRAME & GRATE IS A NEENAH R-3807 OR APPROVED EQUAL.
3. INLET 1 FRAME AND LID IS A NEENAH R-1878-A10L OR APPROVED EQUAL.

CAST FRAME & GRATE DETAILS
N.T.S.

VERMILION REGIONAL AIRPORT
 VERMILION REGIONAL AIRPORT AUTHORITY
 DANVILLE, ILLINOIS

RELOCATE TAXIWAY C AND WIDEN FILLETS
 INLET DETAILS

© Copyright CMT, Inc.
CMT
 CRAWFORD, MURPHY & TILLY, INC.
 CONSULTING ENGINEERS
 License No. 184-000613

DESIGN BY:	AJB
DRAWN BY:	CMT
CHECKED BY:	CET
APPROVED BY:	CET
DATE:	MARCH 1, 2013
JOB No:	120420100

IL PROJ. NO. DNV-4229
 SBG PROJ. NO. 3-17-0032-B14