

SUMMARY OF QUANTITIES			URBAN		CONSTRUCTION TYPE CODE				
CODE NO	ITEM	UNIT	TOTAL QUANTITIES	80% FED 20% STATE 0005					
20100110	TREE REMOVAL (6 TO 15 UNITS DIAMETER)	UNIT	368	368					
20100210	TREE REMOVAL (OVER 15 UNITS DIAMETER)	UNIT	148.5	148.5					
20101350	TREE PRUNING (OVER 10 INCH DIAMETER)	EACH	5	5					
20200100	EARTH EXCAVATION	CU YD	427	427					
21101615	TOPSOIL FURNISH AND PLACE, 4"	SO YD	2284	2284					
25000400	NITROGEN FERTILIZER NUTRIENT	POUND	30	30					
25000500	PHOSPHORUS FERTILIZER NUTRIENT	POUND	30	30					
25000600	POTASSIUM FERTILIZER NUTRIENT	POUND	30	30					
25200110	SODDING, SALT TOLERANT	SO YD	2284	2284					
25200200	SUPPLEMENTAL WATERING	UNIT	22.8	22.8					
30300112	AGGREGATE SUBGRADE IMPROVEMENT 12"	SO YD	702	702					
35501308	HOT-MIX ASPHALT BASE COURSE, 6"	SO YD	55	55					
35501316	HOT-MIX ASPHALT BASE COURSE, 8"	SO YD	517	517					
35501324	HOT-MIX ASPHALT BASE COURSE, 10"	SO YD	4896	4896					
35600708	HOT-MIX ASPHALT BASE COURSE WIDENING, 8"	SQ YD	20.4	20.4					
40600290	BITUMINOUS MATERIALS (TACK COAT)	POUND	119,335	119,335					
* SPECIALTY ITEMS									

SUMMARY OF QUANTITIES			URBAN		CONSTRUCTION TYPE CODE				
CODE NO	ITEM	UNIT	TOTAL QUANTITIES	80% FED 20% STATE 0005					
40600400	MIXTURE FOR CRACKS, JOINTS, AND FLANGEWAYS	TON	265	265					
40600827	POLYMERIZED LEVELING BINDER (MACHINE METHOD), IL-4.75, N50	TON	5982	5982					
40600982	HOT-MIX ASPHALT SURFACE REMOVAL - BUTT JOINT	SO YD	1221	1221					
40601005	HOT-MIX ASPHALT REPLACEMENT OVER PATCHES	TON	176	176					
40603335	HOT-MIX ASPHALT SURFACE COURSE, MIX "D", N50	TON	11	11					
42001300	PROTECTIVE COAT	SO YD	7082	7082					
42300200	PORTLAND CEMENT CONCRETE DRIVEWAY PAVEMENT, 6 INCH	SO YD	108	108					
42300400	PORTLAND CEMENT CONCRETE DRIVEWAY PAVEMENT, 8 INCH	SO YD	111	111					
42400200	PORTLAND CEMENT CONCRETE SIDEWALK 5 INCH	SO FT	15,823	15,823					
42400800	DETECTABLE WARNINGS	SO FT	1358	1358					
44000100	PAVEMENT REMOVAL	SO YD	394	394					

MODEL: Default
 FILE NAME: \\u:\babe\bin\eg\illinois.gov\FWIDOT\Documents\DOT\Projects\100819\CADDData\Design\100819_sht-500.dgn
 USER: kablrm
 DESIGNED: 2/1/2019
 CHECKED: 2/1/2019
 PLOT DATE: 2/1/2019
 OFFICES: \\s:\cadd\100819\CADDData\Design\100819
 PLOT SCALE: = 1/8"=1'-0"
 PLOT DATE: = 2/1/2019

**STATE OF ILLINOIS
DEPARTMENT OF TRANSPORTATION**

**SUMMARY OF QUANTITIES
IL. ROUTE 58 (GOLF RD.) (W/O MEIJER RD. TO BROADWAY ST.)**

F.A.P. RTE. 339	SECTION 2018-078-R5	COUNTY COOK	TOTAL SHEETS 56	SHEET NO. 3
FED. ROAD DIST. NO. 1 ILLINOIS FED. AID PROJECT			CONTRACT NO. 62H12	

SCALE: SHEET NO. OF SHEETS STA. TO STA.

SUMMARY OF QUANTITIES			URBAN		CONSTRUCTION TYPE CODE				
CODE NO	ITEM	UNIT	TOTAL QUANTITIES	80% FED 20% STATE 0005					
44000159	HOT-MIX ASPHALT SURFACE REMOVAL, 2 1/2"	SO YD	176192	176192					
44000200	DRIVEWAY PAVEMENT REMOVAL	SO YD	316	316					
44000300	CURB REMOVAL	FOOT	991	991					
44000500	COMBINATION CURB AND GUTTER REMOVAL	FOOT	32	32					
44000600	SIDEWALK REMOVAL	SO FT	15,476	15,476					
44002209	HOT-MIX ASPHALT REMOVAL OVER PATCHES, 2 1/4"	SO YD	1395	1395					
44003100	MEDIAN REMOVAL	SO FT	4608	4608					
44003570	MEDIAN REMOVAL PARTIAL DEPTH	SQ FT	187	187					
44201765	CLASS D PATCHES, TYPE II, 10 INCH	SO YD	372	372					
44201769	CLASS D PATCHES, TYPE III, 10 INCH	SO YD	283	283					
44201771	CLASS D PATCHES, TYPE IV, 10 INCH	SO YD	585	585					
60252800	CATCH BASINS TO BE RECONSTRUCTED	EACH	9	9					
60253100	CATCH BASINS TO BE RECONSTRUCTED WITH NEW TYPE 1 FRAME, CLOSED LID	EACH	1	1					
60255800	MANHOLES TO BE ADJUSTED WITH NEW TYPE 1 FRAME, CLOSED LID	EACH	7	7					
60257900	MANHOLES TO BE RECONSTRUCTED	EACH	5	5					
60266600	VALVE BOX TO BE ADJUSTED	EACH	1	1					
60300105	FRAMES AND GRATES TO BE ADJUSTED	EACH	90	90					
* SPECIALTY ITEMS									

SUMMARY OF QUANTITIES			URBAN		CONSTRUCTION TYPE CODE				
CODE NO	ITEM	UNIT	TOTAL QUANTITIES	80% FED 20% STATE 0005					
60300305	FRAMES AND LIDS TO BE ADJUSTED	EACH	63	63					
60260300	INLETS TO BE ADJUSTED WITH NEW TYPE 1 FRAME, OPEN LID	EACH	1	1					
60406000	FRAMES AND LIDS, TYPE 1, OPEN LID	EACH	39	39					
60406100	FRAMES AND LIDS, TYPE 1, CLOSED LID	EACH	31	31					
60603500	COMBINATION CONCRETE CURB AND GUTTER, TYPE B-6.06	FOOT	206	206					
60618300	CONCRETE MEDIAN SURFACE, 4 INCH	SO FT	44,976	44,976					
60619200	CONCRETE MEDIAN, TYPE SB-6.06	SO FT	2435	2435					
* 63000001	STEEL PLATE BEAM GUARDRAIL, TYPE A, 6 FOOT POSTS	FOOT	100	100					
* 63100167	TRAFFIC BARRIER TERMINAL, TYPE 1 (SPECIAL) TANGENT	EACH	2	2					
63200310	GUARDRAIL REMOVAL	FOOT	100	100					
63500310	REMOVE AND REINSTALL DELINEATORS	EACH	13	13					
* 66900200	NON-SPECIAL WASTE DISPOSAL	CU YD	427	427					
* 66900530	SOIL DISPOSAL ANALYSIS	EACH	8	8					
* 66901001	REGULATED SUBSTANCES PRE-CONSTRUCTION PLAN	LSUM	1	1					
* 66901002	ON-SITE MONITORING OF REGULATED SUBSTANCES	CAL DA	25	25					

MODEL: Default
 FILE NAME: \\u:\b\baebid\nteg\illinois.gov\PWD\DOT\Documents\DOT Office\District 1\Projects\DI100819\CADDData\Design\DI100819-ah-500.dgn

FILE NAME =	USER NAME = kaform	DESIGNED =	REVISED =
dw:\u\baebid\nteg\illinois.gov\PWD\DOT\Documents\DOT Office\District 1\Projects\DI100819\CADDData\Design\DI100819-ah-500.dgn			
PLOT SCALE = 1/8"=1'-0"	CHECKED =	REVISED =	
PLOT DATE = 2/1/2019	DATE =	REVISED =	

**STATE OF ILLINOIS
DEPARTMENT OF TRANSPORTATION**

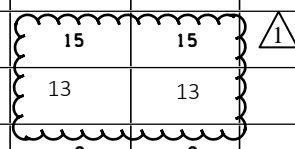
**SUMMARY OF QUANTITIES
IL ROUTE 58 (GOLF RD.) (W/O MEIJER RD. TO BROADWAY ST.)**

SCALE: SHEET OF SHEETS STA. TO STA.

F.A.P. RTE. 339	SECTION 2018-078-R5	COUNTY COOK	TOTAL SHEETS 56	SHEET NO. 4
FED. ROAD DIST. NO. 1 ILLINOIS FED. AID PROJECT CONTRACT NO. 62H12				

SUMMARY OF QUANTITIES			URBAN TOTAL QUANTITIES	CONSTRUCTION TYPE CODE				
CODE NO	ITEM	UNIT		80% FED 20% STATE 0005				
* 66901003	REGULATED SUBSTANCES FINAL CONSTRUCTION REPORT	LSUM	1	1				
67000400	ENGINEER'S FIELD OFFICE, TYPE A	CAL MO	12	12				
67100100	MOBILIZATION	L SUM	1	1				
70102625	TRAFFIC CONTROL AND PROTECTION, STANDARD 701606	L SUM	1	1				
70102630	TRAFFIC CONTROL AND PROTECTION, STANDARD 701601	L SUM	1	1				
70102632	TRAFFIC CONTROL AND PROTECTION, STANDARD 701602	L SUM	1	1				
70102635	TRAFFIC CONTROL AND PROTECTION, STANDARD 701701	L SUM	1	1				
70102640	TRAFFIC CONTROL AND PROTECTION, STANDARD 701801	L SUM	1	1				
70300100	SHORT TERM PAVEMENT MARKING	FOOT	149825	149825				
70300150	SHORT TERM PAVEMENT MARKING REMOVAL	SO FT	77434	77434				
70300210	TEMPORARY PAVEMENT MARKING LETTERS AND SYMBOLS	SO FT	4090	4090				
70300220	TEMPORARY PAVEMENT MARKING - LINE 4"	FOOT	76266	76266				
* SPECIALTY ITEMS								

SUMMARY OF QUANTITIES			URBAN TOTAL QUANTITIES	CONSTRUCTION TYPE CODE				
CODE NO	ITEM	UNIT		80% FED 20% STATE 0005				
70300240	TEMPORARY PAVEMENT MARKING - LINE 6"	FOOT	14932	14932				
70300250	TEMPORARY PAVEMENT MARKING - LINE 8"	FOOT	389	389				
70300260	TEMPORARY PAVEMENT MARKING - LINE 12"	FOOT	3292	3292				
70300280	TEMPORARY PAVEMENT MARKING - LINE 24"	FOOT	1515	1515				
70300520	PAVEMENT MARKING TAPE, TYPE III 4"	FOOT	37457	37457				
* 72400100	REMOVE SIGN PANEL ASSEMBLY - TYPE A	EACH	15	15				
* 72400500	RELOCATE SIGN PANEL ASSEMBLY - TYPE A	EACH	13	13				
* 72501000	TERMINAL MARKER - DIRECT APPLIED	EACH	2	2				
* 78000100	THERMOPLASTIC PAVEMENT MARKING - LETTERS AND SYMBOLS	SO FT	4090	4090				
* 78000200	THERMOPLASTIC PAVEMENT MARKING - LINE 4"	FOOT	76266	76266				
* 78000400	THERMOPLASTIC PAVEMENT MARKING - LINE 6"	FOOT	14932	14932				
* 78000500	THERMOPLASTIC PAVEMENT MARKING - LINE 8"	FOOT	389	389				
* 78000600	THERMOPLASTIC PAVEMENT MARKING - LINE 12"	FOOT	3292	3292				
* 78000650	THERMOPLASTIC PAVEMENT MARKING - LINE 24"	FOOT	1515	1515				



MODEL: Default
 FILE NAME: \\u:\b\BID\INTEG\Illinois.gov\PWDOT\Documents\DOT Offices\District 1\Projects\DI00819\CADDData\Design\DI00819-ah-500.dgn

FILE NAME =	USER NAME = ksbarm	DESIGNED =	REVISED =
\\u:\b\BID\INTEG\Illinois.gov\PWDOT\Documents\DOT Offices\District 1\Projects\DI00819\CADDData\Design\DI00819-ah-500.dgn			
PLOT SCALE = 1/8"=1'-0"	CHECKED =	REVISED =	
PLOT DATE = 2/1/2019	DATE =	REVISED =	

**STATE OF ILLINOIS
DEPARTMENT OF TRANSPORTATION**

SCALE:		SHEET		OF	SHEETS	STA.	TOD SHEET	SUMMARY OF QUANTITIES IL. ROUTE 58 (GOLF RD.) (W/O MEIJER RD. TO BROADWAY ST.)		F.A.P. RTE.	SECTION	COUNTY	TOTAL SHEETS	SHEET NO.
								339	2018-078-R5	COOK	56	5		
										FED. ROAD DIST. NO. 1 ILLINOIS FED. AID PROJECT				

SUMMARY OF QUANTITIES			URBAN		CONSTRUCTION TYPE CODE				
CODE NO	ITEM	UNIT	TOTAL QUANTITIES	80% FED 20% STATE 0005					
* 78100100	RAISED REFLECTIVE PAVEMENT MARKER	EACH	2570	2570					
78300200	RAISED REFLECTIVE PAVEMENT MARKER REMOVAL	EACH	2134	2134					
* 88600600	DETECTOR LOOP REPLACEMENT	FOOT	4613	4613					
* 89500400	RELOCATE EXISTING PEDESTRIAN PUSH-BUTTON	EACH	5	5					
* 89502376	REBUILD EXISTING HANDHOLE	EACH	10	10					
* 89502378	REBUILD EXISTING HANDHOLE TO HEAVY DUTY HANDHOLE	EACH	2	2					
X0320050	CONSTRUCTION LAYOUT (SPECIAL)	L SUM	1	1					
X0327611	REMOVE AND REINSTALL BRICK PAVER	SO FT	214	214					
X0327900	TREE REMOVAL (UNDER 6 INCH DIAMETER SAWED FLUSH)	IN DIA	52	52					
X0327980	PAVEMENT MARKING REMOVAL - WATER BLASTING	SO FT	51567	51567					
X2010200	TREE LIMB REMOVAL (OVER 10 INCHES DIAMETER)	EACH	1	1					
X2010400	STUMP REMOVAL ONLY	UNIT	42	42					
X4060004	POLYMERIZED HOT-MIX ASPHALT SURFACE COURSE, STONE MATRIX ASPHALT, 9.5, N80	TON	17,981	17,981					
X4402020	CONCRETE MEDIAN SURFACE REMOVAL	SQ FT	44,976	44,976					

SUMMARY OF QUANTITIES			URBAN		CONSTRUCTION TYPE CODE				
CODE NO	ITEM	UNIT	TOTAL QUANTITIES	80% FED 20% STATE 0005					
* X5537800	STORM SEWERS TO BE CLEANED 12"	FOOT	2640	2640					
X6030310	FRAMES AND LIDS TO BE ADJUSTED (SPECIAL)	EACH	37	37					
X6350120	DELINEATOR REMOVAL	EACH	7	7					
X7030005	TEMPORARY PAVEMENT MARKING REMOVAL	SO FT	43560	43560					
Z0004562	COMBINATION CONCRETE CURB AND GUTTER REMOVAL AND REPLACEMENT	FOOT	15,970	15,970					
Z0012450	CONCRETE STEPS	CU YD	3	3					
* Z0018500	DRAINAGE STRUCTURES TO BE CLEANED	EACH	50	50					
Z0030850	TEMPORARY INFORMATION SIGNING	SO FT	51.4	51.4					
Z0033700	LONGITUDINAL JOINT SEALANT	FOOT	102862	102862					
Z0048665	RAILROAD PROTECTIVE LIABILITY INSURANCE	L SUM	1	1					
Z0064800	SELECTIVE CLEARING	UNIT	5.14	5.14					
Ø Z0076600	TRAINEES	HOURL	1000	1000					
Ø Z0076604	TRAINEES TRAINING PROGRAM GRADUATE	HOURL	1000	1000					
X4401198	HOT-MIX ASPHALT SURFACE REMOVAL VARIABLE DEPTH	SQ YD	484	484					

MODEL: Default
 FILE NAME: \\N:\L08\BEBID\EG\Illinois.gov\PI\DOT\Documents\DOT\Projects\100819\CADDData\Design\100819-Sub-500.dgn
 USER: katorn
 DESIGNED: 2/1/2019
 CHECKED: 2/1/2019
 PLOT DATE: 2/1/2019

FILE NAME =	USER NAME = katorn	DESIGNED =	REVISED =
\\N:\L08\BEBID\EG\Illinois.gov\PI\DOT\Documents\DOT\Projects\100819\CADDData\Design\100819-Sub-500.dgn		2/1/2019	
PLOT SCALE = 1000000.0 Y/1In.	CHECKED =	REVISED =	
PLOT DATE = 2/1/2019	DATE =	REVISED =	

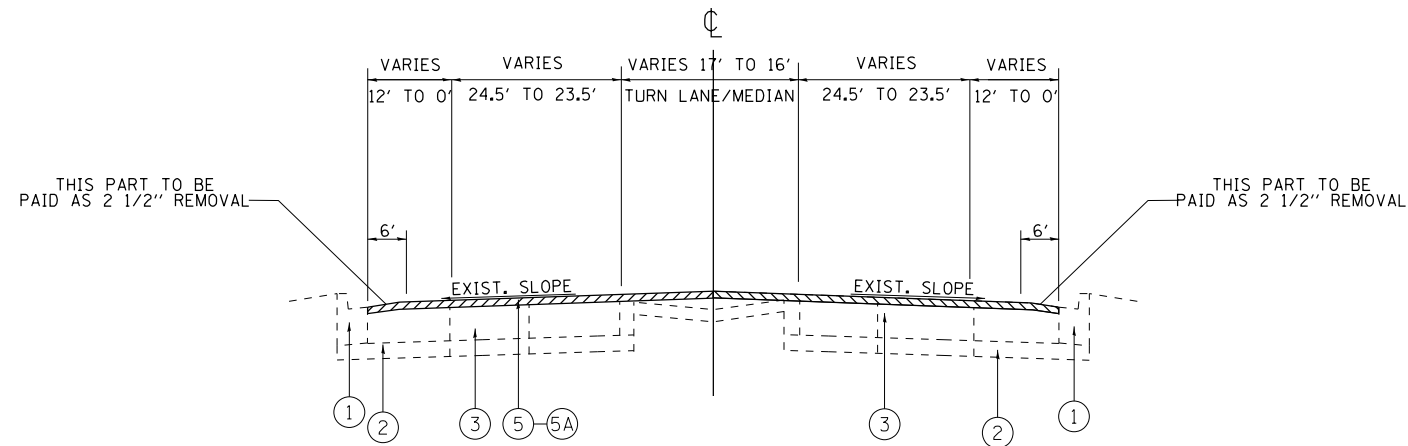
**STATE OF ILLINOIS
DEPARTMENT OF TRANSPORTATION**

SUMMARY OF QUANTITIES			
IL ROUTE 58 (GOLF RD.) (W/O MEIJER RD. TO BROADWAY ST.)			
SCALE:	SHEET	OF	SHEETS
			STA.

F.A.P. RTE.	SECTION	COUNTY	TOTAL SHEETS	SHEET NO.
339	2018-078-R5	COOK	56	6
CONTRACT NO. 62H12				

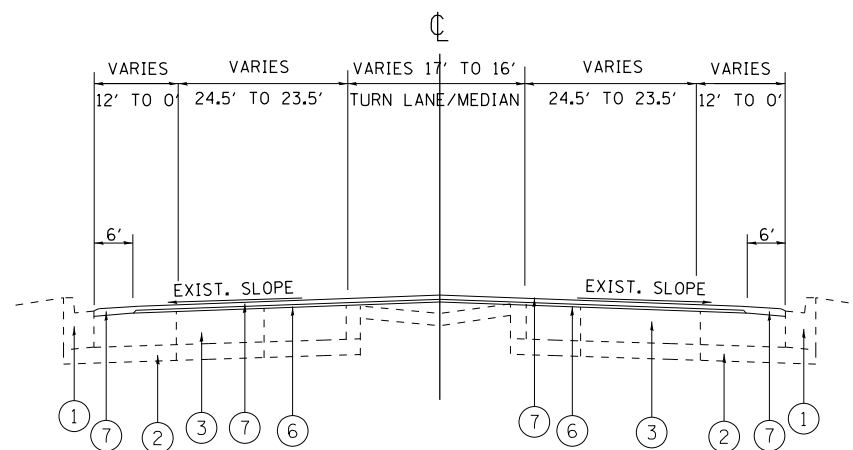
** 100% STATE Ø 0042

1 REV. 4/17/19 REV. 3/18/19 REV. 3/12/19 REV. 3/6/19



**IL 58 (GOLF RD.)
EXISTING TYPICAL SECTION**

STA. 14+00 TO STA. 18+07, STA. 25+20.9 TO STA. 37+42
 STA. 71+14.4 TO STA. 72+92.7, STA. 88+79 TO STA. 113+71.7
 STA. 120+44 TO STA. 122+21.6, STA. 137+98 TO STA. 149+30.3
 STA. 153+50 TO STA. 158+04, STA. 159+70 TO STA. 165+47.3
 STA. 181+5.9 TO STA. 190+81, STA. 200+88 TO STA. 213+56.1
 STA. 216+84.3 TO STA. 220+87, STA. 237+11.5 TO STA. 240+4.6



**IL 58 (GOLF RD.)
PROPOSED TYPICAL SECTION**

STA. 14+00 TO STA. 18+07, STA. 25+20.9 TO STA. 37+42
 STA. 71+14.4 TO STA. 72+92.7, STA. 88+79 TO STA. 119+80
 STA. 120+44 TO STA. 122+21.6, STA. 137+98 TO STA. 149+30.3
 STA. 153+50 TO STA. 158+04, STA. 159+70 TO STA. 165+47.3
 STA. 181+5.9 TO STA. 190+81, STA. 200+88 TO STA. 213+56.1
 STA. 216+84.3 TO STA. 220+87, STA. 237+11.5 TO STA. 240+4.6

LEGEND:

- ① EXISTING COMB. CONC. CURB AND GUTTER, TYPE VARIES
- ② EXISTING SUB-BASE GRANULAR MATERIAL
- ③ EXISTING PCC PAVEMENT, 10"
- ④ EXISTING CONCRETE MEDIAN TYPE C-4
- ④A PROPOSED CONCRETE MEDIAN SURFACE REMOVAL
- ⑤ EXISTING HMA SURFACE, 2 1/2"
- ⑤A PROPOSED HMA SURFACE REMOVAL, 2 1/2"
- ⑥ PROPOSED POLYMERIZED LEVELING BINDER (MM), IL-4.75, N50, 3/4"
- ⑦ PROPOSED POLYMERIZED HMA SURFACE COURSE, STONE MATRIX ASPHALT, 9.5, N80, 1 3/4"
- ⑧ PROPOSED MEDIAN REMOVAL
- ⑨ PROPOSED CURB REMOVAL OR PROPOSED COMB. CURB AND GUTTER REMOVAL
- ⑩ PROPOSED MEDIAN SURFACE, 4" OR CONCRETE MEDIAN, TYPE SB-6.06
- ⑪ PROPOSED HMA BASE COURSE WIDENING, 8" OR PROPOSED HMA BASE COURSE, 8"
- ⑫ PROPOSED AGGREGATE SUBGRADE IMPROVEMENT, 12"

NOTES:

1. THE CONTRACTOR SHALL PATCH FIRST BEFORE MILLING.
2. THE LONGITUDINAL JOINT SEALANT SHALL BE PLACED OVER THE POLYMERIZED LEVELING BINDER WHERE THE SURFACE JOINT WILL BE LOCATED

HOT-MIX ASPHALT MIXTURE REQUIREMENTS			
MIXTURE USES	MIXTURE TYPE	AIR VOIDS @ Ndes	QUALITY MANAGEMENT PROGRAM (QMP)
PAVEMENT RESURFACING AND MEDIAN RECONSTRUCTION	POLYMERIZED HMA SURFACE COURSE, SMA, 9.5, N80, 1 3/4"	3.5% @ 80 GYR.	PFPP
	POLYMERIZED LEVELING BINDER (MM), IL-4.75, N50; 3/4"	3.5% @ 50 GYR.	QCP
	HMA BASE COURSE, (HMA BINDER COURSE, IL-19 mm, N90, 8")	4% @ 70 GYR.	QC/OA
PATCHING	CLASS D PATCHES (HMA BINDER IL-19 mm)	4% @ 70 GYR	QC/OA
	HMA REPLACEMENT OVER PATCHES (HMA BINDER IL-19 mm)	4% @ 70 GYR	QC/OA
DRIVEWAYS	HMA SURFACE COURSE, MIX "D", N50, (IL-9.5 mm); 2"	4% @ 50 GYR.	QC/OA
	HMA BASE COURSE, (HMA BINDER IL-19 mm); PE - 6"	4% @ 50 GYR.	QC/OA
	HMA BASE COURSE, (HMA BINDER IL-19 mm); CE - 8"	4% @ 50 GYR.	QC/OA
QMP DESIGNATION: QUALITY CONTROL/QUALITY ASSURANCE (QC/OA); QUALITY CONTROL FOR PERFORMANCE (QCP); PAY FOR PERFORMANCE (PFPP)			

NOTE 1: THE UNIT WEIGHT USED TO CALCULATE ALL HMA SURFACE MIXTURE QUANTITIES IS 112 LBS/SQ YD/IN.
 NOTE 2: THE "AC TYPE" FOR POLYMERIZED HMA MIXES SHALL BE "SBS/SBR PG 76 -22" AND FOR NON-POLYMERIZED HMA THE "AC TYPE" SHALL BE "PG 64 -22" UNLESS MODIFIED BY DISTRICT ONE SPECIAL PROVISIONS.

FOR USE OF RECYCLED MATERIALS SEE DISTRICT ONE SPECIAL PROVISIONS.

QUALITY MANAGEMENT PROGRAM (QMP) IDENTIFIES THE PARTICULAR QUALITY CONTROL SPECIFICATION THAT APPLIES TO THE HMA MIXTURE.

MODEL: Default
 FILE: \\nrcs-pw\pub\harcourt\ad\illinois.gov\PWIDOT\Documents\DOT_Offices\District 1\Projects\ID 100819\CADD\Drawings\100819-shs-ty-cal.dgn

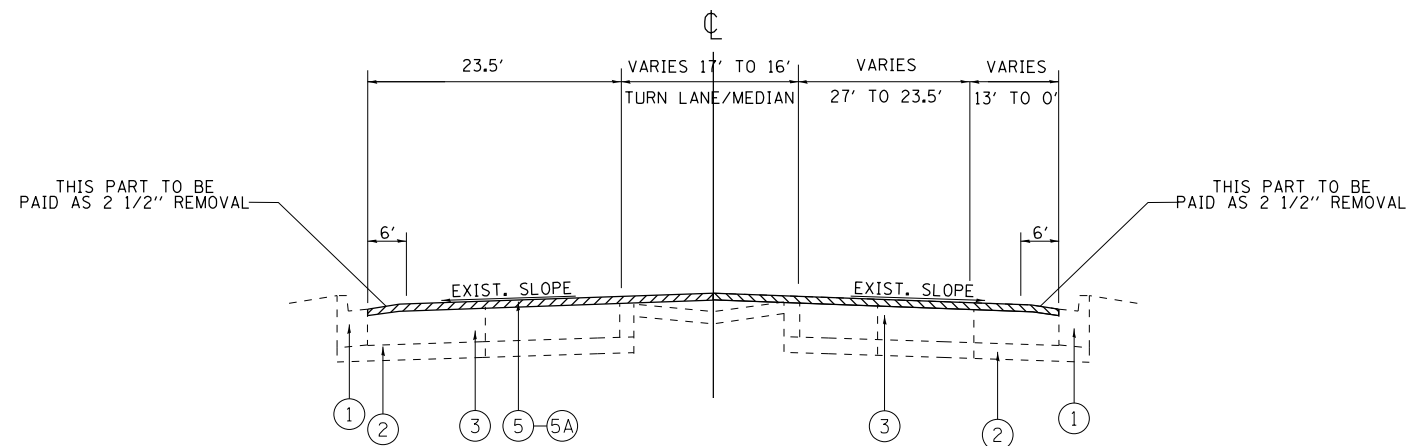
USER NAME = kalorm	DESIGNED -	REVISED -	REVISED -
	DRAWN -	REVISED -	REVISED -
PLOT SCALE = 100.0000' / in.	CHECKED -	REVISED -	REVISED -
PLOT DATE = 4/11/2019	DATE -	REVISED -	REVISED -

**STATE OF ILLINOIS
DEPARTMENT OF TRANSPORTATION**

**EXISTING AND PROPOSED TYPICAL SECTIONS
IL ROUTE 58 (GOLF RD.) (W/O MEIJER RD. TO BROADWAY ST.)**

SCALE: SHEET OF SHEETS STA. TO STA.

F.A.P. RTE.	SECTION	COUNTY	TOTAL SHEETS	SHEET NO.
339	2018-078-R5	COOK	56	7
CONTRACT NO. 62H12				
ILLINOIS FED. AID PROJECT				



**IL 58 (GOLF RD.)
EXISTING TYPICAL SECTION**

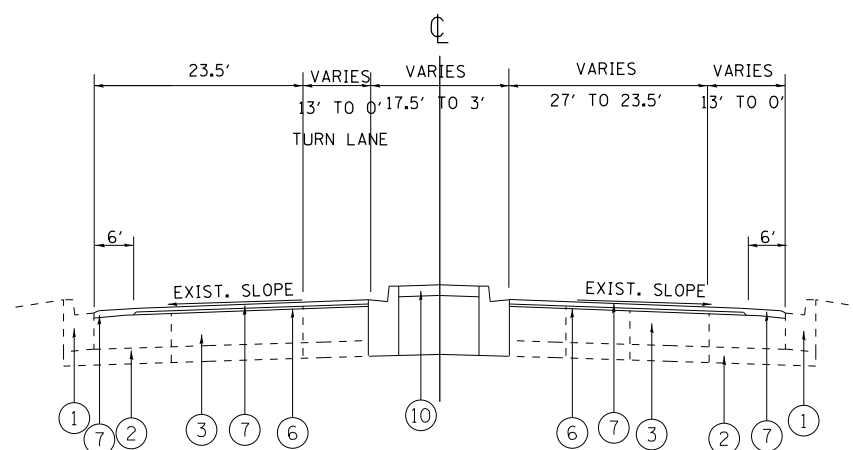
STA 113+71.8 TO STA 119+80

LEGEND:

- ① EXISTING COMB. CONC. CURB AND GUTTER, TYPE VARIES
- ② EXISTING SUB-BASE GRANULAR MATERIAL
- ③ EXISTING PCC PAVEMENT, 10"
- ④ EXISTING CONCRETE MEDIAN TYPE C-4
- ④A PRRPOSED CONCRETE MEDIAN SURFACE REMOVAL
- ⑤ EXISTING HMA SURFACE, 2 1/2 "
- ⑤A PROPOSED HMA SURFACE REMOVAL, 2 1/2"
- ⑥ PROPOSED POLYMERIZED LEVELING BINDER (MM), IL-4.75, N50, 3/4"
- ⑦ PROPOSED POLYMERIZED HMA SURFACE COURSE, STONE MATRIX ASPHALT, 9.5, N80, 1 3/4"
- ⑧ PROPOSED MEDIAN REMOVAL
- ⑨ PROPOSED CURB REMOVAL OR PROPOSED COMB. CURB AND GUTTER REMOVAL
- ⑩ PROPOSED MEDIAN SURFACE, 4" OR CONCRETE MEDIAN, TYPE SB-6.06
- ⑪ PROPOSED HMA BASE COURSE WIDENING, 8" OR PROPOSED HMA BASE COURSE, 8"
- ⑫ PROPOSED AGGREGATE SUBGRADE IMPROVEMENT, 12"

NOTES:

1. THE CONTRACTOR SHALL PATCH FIRST BEFORE MILLING.
2. THE LONGITUDINAL JOINT SEALANT SHALL BE PLACED OVER THE POLYMERIZED LEVELING BINDER WHERE THE SURFACE JOINT WILL BE LOCATED



**IL 58 (GOLF RD.)
PROPOSED TYPICAL SECTION**

STA 113+71.8 TO STA 119+80

MODEL: Default
 FILE: \\blm1c:\pub\lhamon.dwg
 PROJECT: \\blm1c:\pub\lhamon.dwg
 PLOT DATE: 4/11/2019

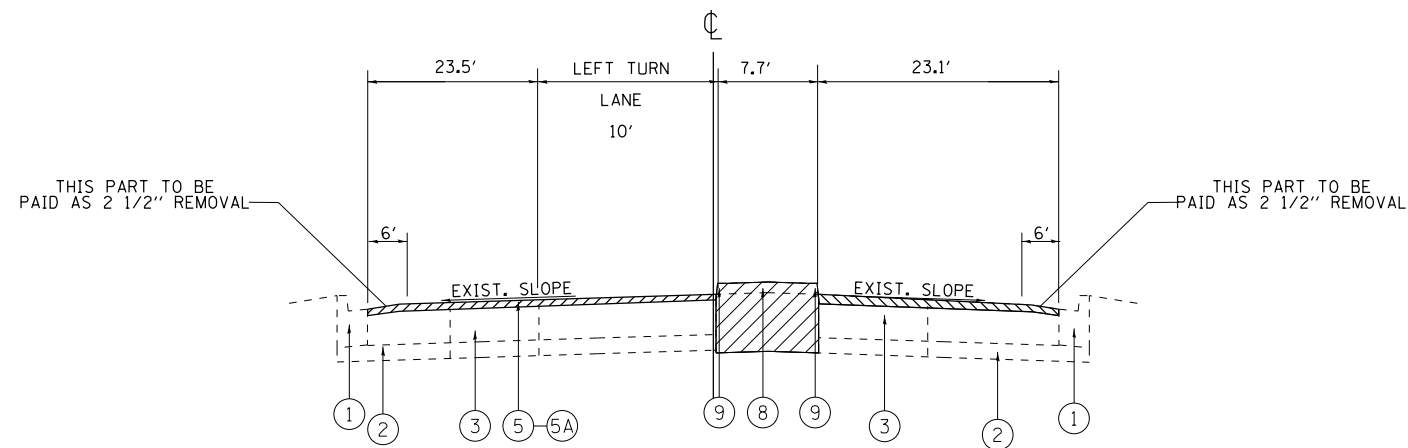
USER NAME = kalorm	DESIGNED -	REVISED -
	DRAWN -	REVISED -
PLOT SCALE = 100.0000' / in.	CHECKED -	REVISED -
PLOT DATE = 4/11/2019	DATE -	REVISED -

**STATE OF ILLINOIS
DEPARTMENT OF TRANSPORTATION**

**EXISTING AND PROPOSED TYPICAL SECTIONS
IL. ROUTE 58 (GOLF RD.) (W/O MEIJER RD. TO BROADWAY ST.)**

SCALE: SHEET OF SHEETS STA. TO STA.

F.A.P. RTE.	SECTION	COUNTY	TOTAL SHEETS	SHEET NO.
339	2018-078-R5	COOK	56	8
CONTRACT NO. 62H12				
ILLINOIS FED. AID PROJECT				



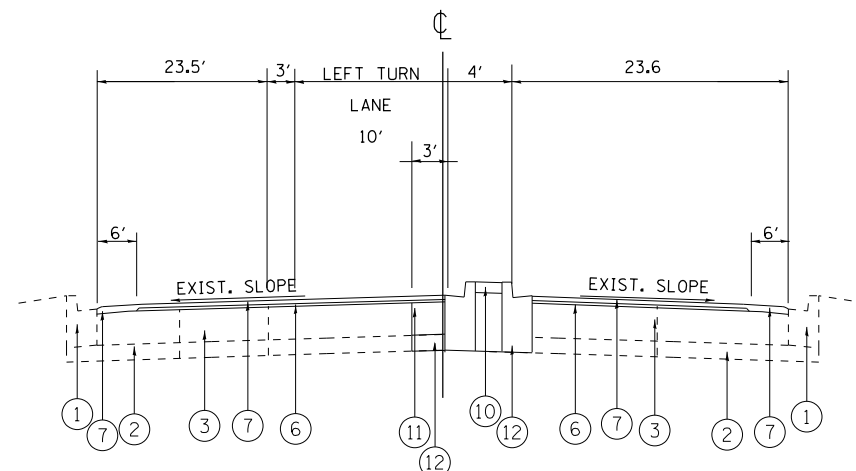
**IL 58 (GOLF RD.)
EXISTING TYPICAL SECTION**

STA 119+80 TO 120+44

- LEGEND:**
- ① EXISTING COMB. CONC. CURB AND GUTTER, TYPE VARIES
 - ② EXISTING SUB-BASE GRANULAR MATERIAL
 - ③ EXISTING PCC PAVEMENT, 10"
 - ④ EXISTING CONCRETE MEDIAN TYPE C-4
 - ④A PROPOSED CONCRETE MEDIAN SURFACE REMOVAL
 - ⑤ EXISTING HMA SURFACE, 2 1/2"
 - ⑤A PROPOSED HMA SURFACE REMOVAL, 2 1/2"
 - ⑥ PROPOSED POLYMERIZED LEVELING BINDER (MM), IL-4.75, N50, 3/4"
 - ⑦ PROPOSED POLYMERIZED HMA SURFACE COURSE, STONE MATRIX ASPHALT, 9.5, N80, 1 3/4"
 - ⑧ PROPOSED MEDIAN REMOVAL
 - ⑨ PROPOSED CURB REMOVAL OR PROPOSED COMB. CURB AND GUTTER REMOVAL
 - ⑩ PROPOSED MEDIAN SURFACE, 4" OR CONCRETE MEDIAN, TYPE SB-6.06
 - ⑩A PROPOSED HMA BASE COURSE WIDENING, 8" OR PROPOSED HMA BASE COURSE, 8"
 - ⑫ PROPOSED AGGREGATE SUBGRADE IMPROVEMENT, 12"

NOTES:

1. THE CONTRACTOR SHALL PATCH FIRST BEFORE MILLING.
2. THE LONGITUDINAL JOINT SEALANT SHALL BE PLACED OVER THE POLYMERIZED LEVELING BINDER WHERE THE SURFACE JOINT WILL BE LOCATED



**IL 58 (GOLF RD.)
PROPOSED TYPICAL SECTION**

STA 119+80 TO 120+44

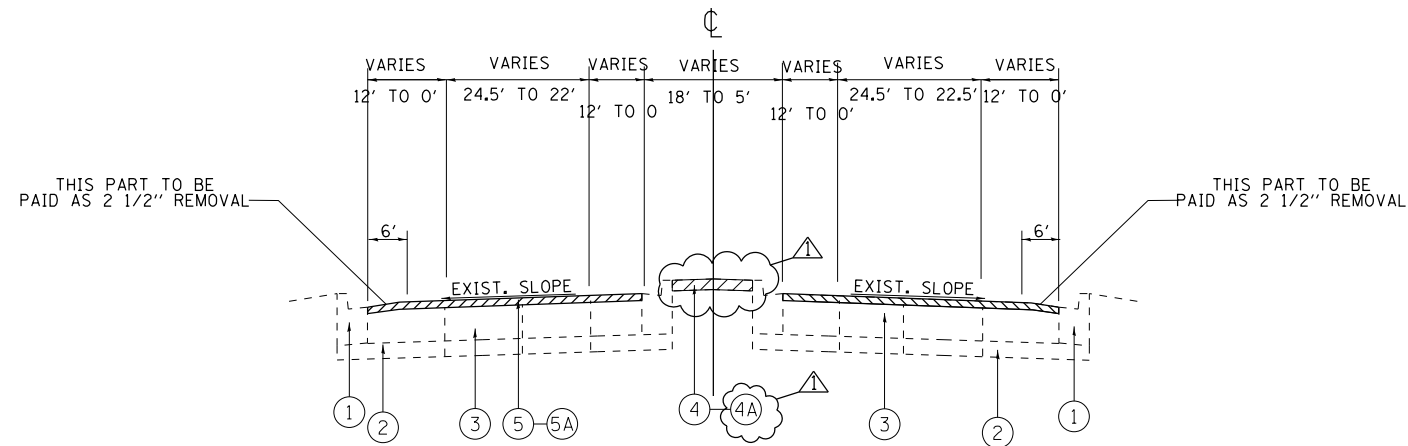
MODEL: Default
 FILE: h:\mfc_p\pub\harcourt\dot\Documents\DOT_Offices\lhartec_1\Projects\100819\Cadd\Drawings\100819_sht-typlcal.dgn

USER NAME = kalorm	DESIGNED -	REVISED -
	DRAWN -	REVISED -
PLOT SCALE = 100.0000' / in.	CHECKED -	REVISED -
PLOT DATE = 4/11/2019	DATE -	REVISED -

DESIGNED - RK 4/12/2019 DRAWN - CHECKED - DATE -	STATE OF ILLINOIS DEPARTMENT OF TRANSPORTATION
--	---

EXISTING AND PROPOSED TYPICAL SECTIONS IL ROUTE 58 (GOLF RD.) (W/O MEIJER RD. TO BROADWAY ST.)	
SCALE:	SHEET OF SHEETS STA. TO STA.

F.A.P. RTE.	SECTION	COUNTY	TOTAL SHEETS	SHEET NO.
339	2018-078-R5	COOK	56	9
CONTRACT NO. 62H12				
ILLINOIS FED. AID PROJECT				



**IL 58 (GOLF RD.)
EXISTING TYPICAL SECTION**

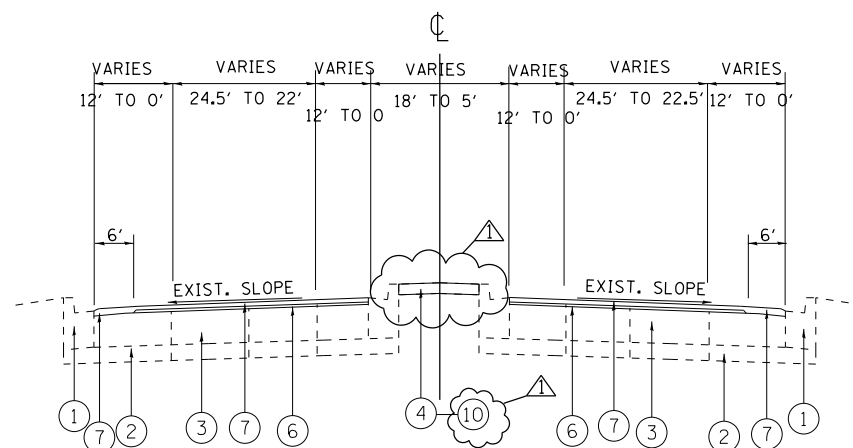
STA. 18+07 TO STA. 21+49.41, STA. 37+42 TO STA. 52+72
 STA. 58+52 TO STA. 71+14.4, STA. 72+92.7 TO STA. 88+79
 STA. 123+62 TO STA. 137+98, STA. 165+47.3 TO STA. 181+5.9
 STA. 191+66 TO STA. 200+88, STA. 213+56.1 TO STA. 216+84.3
 STA. 220+87 TO STA. 222+18.4, STA. 225+05.2 TO STA. 237+11.5,
 STA. 240+4.6 TO STA. 250+51

LEGEND:

- ① EXISTING COMB. CONC. CURB AND GUTTER, TYPE VARIES
- ② EXISTING SUB-BASE GRANULAR MATERIAL
- ③ EXISTING PCC PAVEMENT, 10"
- ④ EXISTING CONCRETE MEDIAN TYPE C-4
- ④A PRRPOSED CONCRETE MEDIAN SURFACE REMOVAL
- ⑤ EXISTING HMA SURFACE, 2 1/2"
- ⑤A PROPOSED HMA SURFACE REMOVAL, 2 1/2"
- ⑥ PROPOSED POLYMERIZED LEVELING BINDER (MM), IL-4.75, N50, 3/4"
- ⑦ PROPOSED POLYMERIZED HMA SURFACE COURSE, STONE MATRIX ASPHALT, 9.5, N80, 1 3/4"
- ⑧ PROPOSED MEDIAN REMOVAL
- ⑨ PROPOSED CURB REMOVAL OR PROPOSED COMB. CURB AND GUTTER REMOVAL
- ⑩ PROPOSED MEDIAN SURFACE, 4" OR CONCRETE MEDIAN, TYPE SB-6.06
- ⑪ PROPOSED HMA BASE COURSE WIDENING, 8" OR PROPOSED HMA BASE COURSE, 8"
- ⑫ PROPOSED AGGREGATE SUBGRADE IMPROVEMENT, 12"

NOTES:

1. THE CONTRACTOR SHALL PATCH FIRST BEFORE MILLING.
2. THE LONGITUDINAL JOINT SEALANT SHALL BE PLACED OVER THE POLYMERIZED LEVELING BINDER WHERE THE SURFACE JOINT WILL BE LOCATED
3. DETERIORATED CONCRETE MEDIAN SURFACE AND CURB AND GUTTER SHALL BE REMOVED AND REPLACED AT THE FOLLOWING MEDIAN LOCATIONS: STA. 37+42 TO STA. 40+71.4, STA. 74+94 TO STA. 88+79, STA. 123+62 TO STA. 137+98, STA. 176+36 TO STA. 181+5.9, STA. 191+66 TO STA. 200+88, STA. 213+56.1 TO STA. 216+84.3, STA. 224+20 TO STA. 226+00, STA. 236+32 TO STA. 237+11.5, STA. 240+4.6 TO STA. 240+79, STA. 245+19 TO STA. 247+49



**IL 58 (GOLF RD.)
PROPOSED TYPICAL SECTION**

STA. 18+07 TO STA. 21+49.41, STA. 37+42 TO STA. 52+72
 STA. 58+52 TO STA. 71+14.4, STA. 72+92.7 TO STA. 88+79
 STA. 123+62 TO STA. 137+98, STA. 165+47.3 TO STA. 181+5.9
 STA. 191+66 TO STA. 200+88, STA. 213+56.1 TO STA. 216+84.3
 STA. 220+87 TO STA. 222+18.4, STA. 225+05.2 TO STA. 237+11.5,
 STA. 240+4.6 TO STA. 250+51

MODEL: Default
 FILE: h:\mhc\pub\barroom.dwg
 PROJECT: I:\Projects\100819\CADD\Design\100819-sh-ty-cal.dgn
 OFFICE: I:\Projects\100819\CADD\Design\100819-sh-ty-cal.dgn

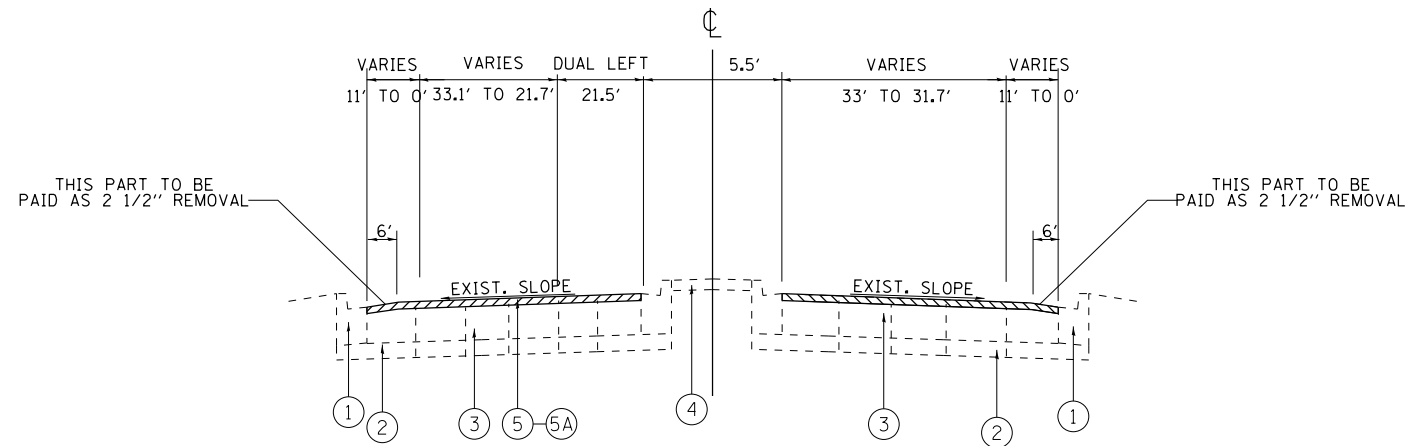
USER NAME = kalorm	DESIGNED -	REVISED - RK 4/12/2019
	DRAWN -	REVISED -
PLOT SCALE = 100.0000' / in.	CHECKED -	REVISED -
PLOT DATE = 4/11/2019	DATE -	REVISED -

**STATE OF ILLINOIS
DEPARTMENT OF TRANSPORTATION**

**EXISTING AND PROPOSED TYPICAL SECTIONS
IL. ROUTE 58 (GOLF RD.) (W/O MEIJER RD. TO BROADWAY ST.)**

SCALE: SHEET OF SHEETS STA. TO STA.

F.A.P. RTE.	SECTION	COUNTY	TOTAL SHEETS	SHEET NO.
339	2018-078-R5	COOK	56	10
CONTRACT NO. 62H12				
ILLINOIS FED. AID PROJECT				



**IL 58 (GOLF RD.)
EXISTING TYPICAL SECTION**

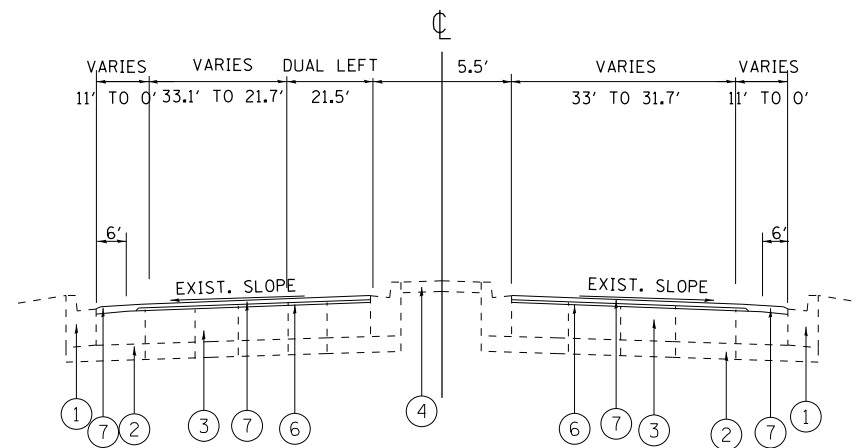
STA 52+72 TO STA. 58+52

LEGEND:

- ① EXISTING COMB. CONC. CURB AND GUTTER, TYPE VARIES
- ② EXISTING SUB-BASE GRANULAR MATERIAL
- ③ EXISTING PCC PAVEMENT, 10"
- ④ EXISTING CONCRETE MEDIAN TYPE C-4
- ④A PRPPOSED CONCRETE MEDIAN SURFACE REMOVAL
- ⑤ EXISTING HMA SURFACE, 2 1/2 "
- ⑤A PROPOSED HMA SURFACE REMOVAL, 2 1/2"
- ⑥ PROPOSED POLYMERIZED LEVELING BINDER (MM), IL-4.75, N50, 3/4"
- ⑦ PROPOSED POLYMERIZED HMA SURFACE COURSE, STONE MATRIX ASPHALT, 9.5, N80, 1 3/4"
- ⑧ PROPOSED MEDIAN REMOVAL
- ⑨ PROPOSED CURB REMOVAL OR PROPOSED COMB. CURB AND GUTTER REMOVAL
- ⑩ PROPOSED MEDIAN SURFACE, 4" OR CONCRETE MEDIAN, TYPE SB-6.06
- ⑪ PROPOSED HMA BASE COURSE WIDENING, 8" OR PROPOSED HMA BASE COURSE, 8"
- ⑫ PROPOSED AGGREGATE SUBGRADE IMPROVEMENT, 12"

NOTES:

1. THE CONTRACTOR SHALL PATCH FIRST BEFORE MILLING.
2. THE LONGITUDINAL JOINT SEALANT SHALL BE PLACED OVER THE POLYMERIZED LEVELING BINDER WHERE THE SURFACE JOINT WILL BE LOCATED



**IL 58 (GOLF RD.)
PROPOSED TYPICAL SECTION**

STA 52+72 TO STA. 58+52

MODEL: Default
 FILE NAME: p:\publanroom.dwg
 PROJECTS\100819\CADD\Drawings\DOT_Offices\Bldg\100819-shr-typical.dwg

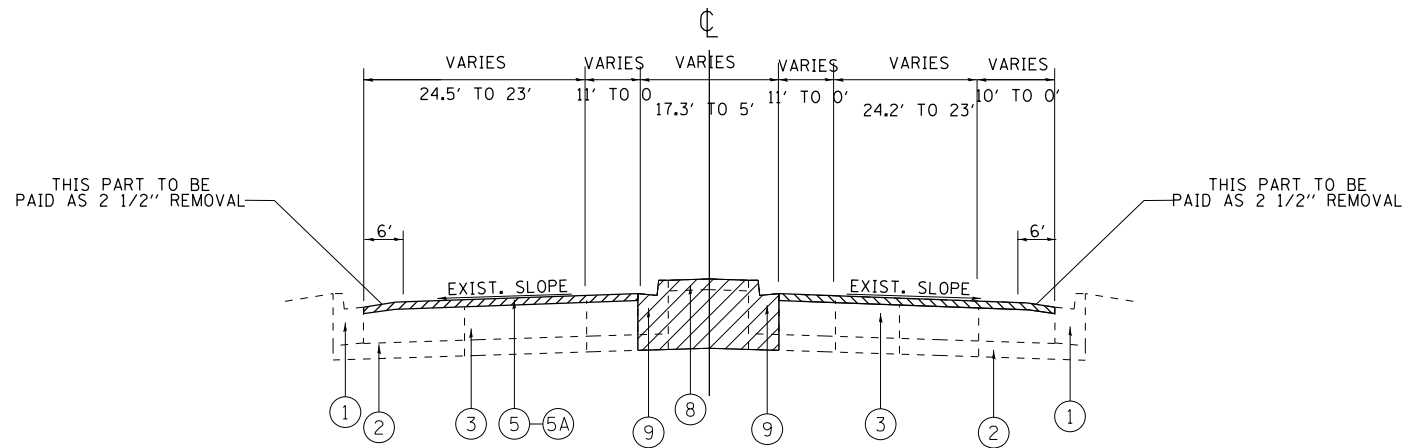
USER NAME = kalorm	DESIGNED -	REVISED - RK 4/12/2019
	DRAWN -	REVISED -
PLOT SCALE = 100.0000' / in.	CHECKED -	REVISED -
PLOT DATE = 4/11/2019	DATE -	REVISED -

**STATE OF ILLINOIS
DEPARTMENT OF TRANSPORTATION**

**EXISTING AND PROPOSED TYPICAL SECTIONS
IL. ROUTE 58 (GOLF RD.) (W/O MEIJER RD. TO BROADWAY ST.)**

SCALE: SHEET OF SHEETS STA. TO STA.

F.A.P. RTE.	SECTION	COUNTY	TOTAL SHEETS	SHEET NO.
339	2018-078-R5	COOK	56	11
CONTRACT NO. 62H12				
ILLINOIS FED. AID PROJECT				



**IL 58 (GOLF RD.)
EXISTING TYPICAL SECTION**

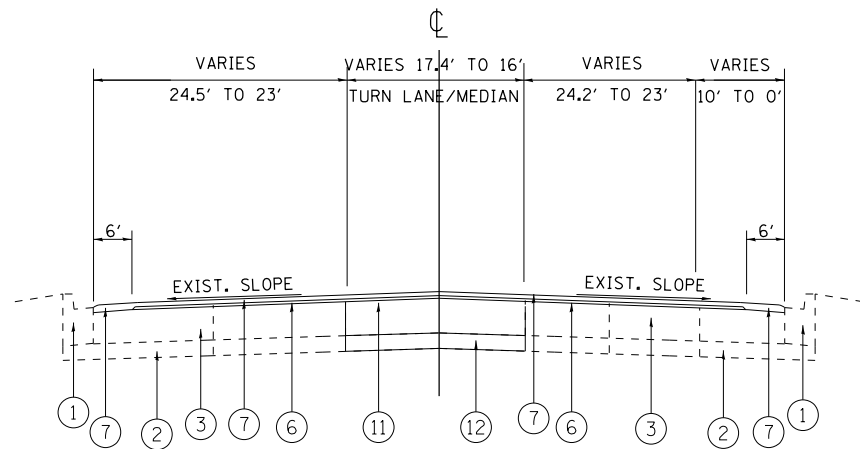
STA. 122+21.6 TO STA. 123+62, STA. 149+30.3 TO STA. 153+50
STA. 158+04 TO STA. 159+70, STA. 190+81 TO STA. 191+66

LEGEND:

- ① EXISTING COMB. CONC. CURB AND GUTTER, TYPE VARIES
- ② EXISTING SUB-BASE GRANULAR MATERIAL
- ③ EXISTING PCC PAVEMENT, 10"
- ④ EXISTING CONCRETE MEDIAN TYPE C-4
- ④A PROPOSED CONCRETE MEDIAN SURFACE REMOVAL
- ⑤ EXISTING HMA SURFACE, 2 1/2"
- ⑤A PROPOSED HMA SURFACE REMOVAL, 2 1/2"
- ⑥ PROPOSED POLYMERIZED LEVELING BINDER (MM), IL-4.75, N50, 3/4"
- ⑦ PROPOSED POLYMERIZED HMA SURFACE COURSE, STONE MATRIX ASPHALT, 9.5, N80, 1 3/4"
- ⑧ PROPOSED MEDIAN REMOVAL
- ⑨ PROPOSED CURB REMOVAL OR PROPOSED COMB. CURB AND GUTTER REMOVAL
- ⑩ PROPOSED MEDIAN SURFACE, 4" OR CONCRETE MEDIAN, TYPE SB-6.06
- ⑪ PROPOSED HMA BASE COURSE WIDENING, 8" OR PROPOSED HMA BASE COURSE, 8"
- ⑫ PROPOSED AGGREGATE SUBGRADE IMPROVEMENT, 12"

NOTES:

1. THE CONTRACTOR SHALL PATCH FIRST BEFORE MILLING.
2. THE LONGITUDINAL JOINT SEALANT SHALL BE PLACED OVER THE POLYMERIZED LEVELING BINDER WHERE THE SURFACE JOINT WILL BE LOCATED



**IL 58 (GOLF RD.)
PROPOSED TYPICAL SECTION**

STA. 122+21.6 TO STA. 123+62, STA. 149+30.3 TO STA. 153+50
STA. 158+04 TO STA. 159+70, STA. 190+81 TO STA. 191+66

MODEL: Default
FILE: h:\mfc_p\pub\harcourt\dot\Documents\DOT_Offices\lhartec_1\Projects\100819\Cadd\ata\Design\100819_sht-ty-cal.dgn

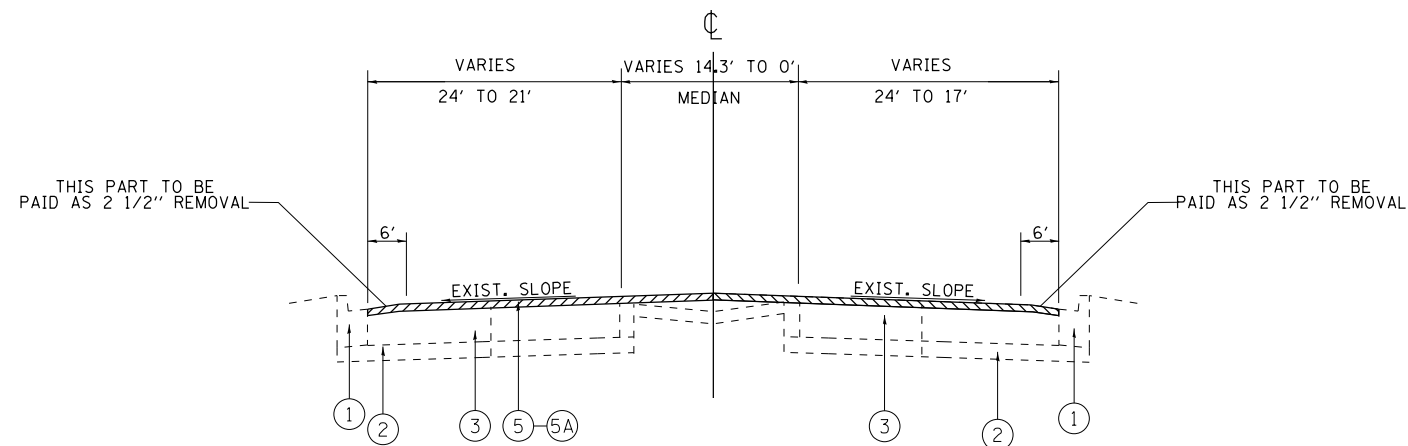
USER NAME = kalorn	DESIGNED -	REVISED - RK 4/12/2019
PLOT SCALE = 100.0000' / in.	DRAWN -	REVISED -
PLOT DATE = 4/11/2019	CHECKED -	REVISED -
	DATE -	REVISED -

**STATE OF ILLINOIS
DEPARTMENT OF TRANSPORTATION**

**EXISTING AND PROPOSED TYPICAL SECTIONS
IL ROUTE 58 (GOLF RD.) (W/O MEIJER RD. TO BROADWAY ST.)**

SCALE: SHEET OF SHEETS STA. TO STA.

F.A.P. RTE.	SECTION	COUNTY	TOTAL SHEETS	SHEET NO.
339	2018-078-R5	COOK	56	12
CONTRACT NO. 62H12				
ILLINOIS FED. AID PROJECT				



**IL 58 (GOLF RD.)
EXISTING TYPICAL SECTION**

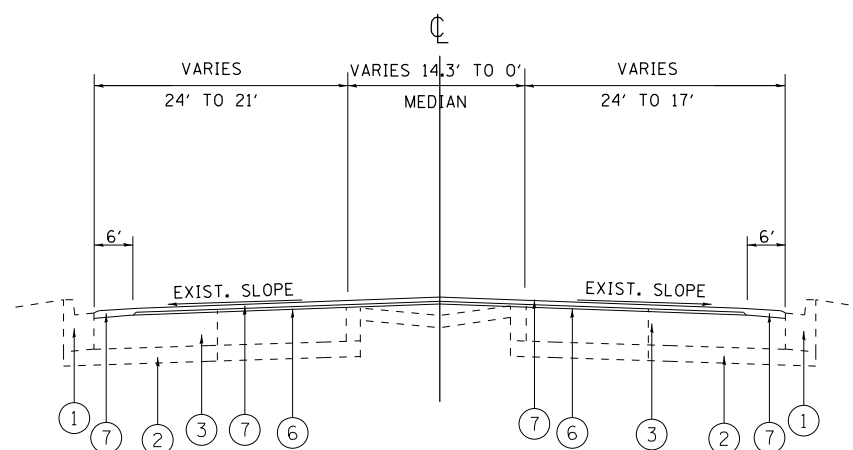
STA. 250+51 TO STA. 255+56.46

LEGEND:

- ① EXISTING COMB. CONC. CURB AND GUTTER, TYPE VARIES
- ② EXISTING SUB-BASE GRANULAR MATERIAL
- ③ EXISTING PCC PAVEMENT, 10"
- ④ EXISTING CONCRETE MEDIAN TYPE C-4
- ④A PRPROPOSED CONCRETE MEDIAN SURFACE REMOVAL
- ⑤ EXISTING HMA SURFACE, 2 1/2 "
- ⑤A PROPOSED HMA SURFACE REMOVAL, 2 1/2"
- ⑥ PROPOSED POLYMERIZED LEVELING BINDER (MM), IL-4.75, N50, 3/4"
- ⑦ PROPOSED POLYMERIZED HMA SURFACE COURSE, STONE MATRIX ASPHALT, 9.5, N80, 1 3/4"
- ⑧ PROPOSED MEDIAN REMOVAL
- ⑨ PROPOSED CURB REMOVAL OR PROPOSED COMB. CURB AND GUTTER REMOVAL
- ⑩ PROPOSED MEDIAN SURFACE, 4" OR CONCRETE MEDIAN, TYPE SB-6.06
- ⑪ PROPOSED HMA BASE COURSE WIDENING, 8" OR PROPOSED HMA BASE COURSE, 8"
- ⑫ PROPOSED AGGREGATE SUBGRADE IMPROVEMENT, 12"

NOTES:

1. THE CONTRACTOR SHALL PATCH FIRST BEFORE MILLING.
2. THE LONGITUDINAL JOINT SEALANT SHALL BE PLACED OVER THE POLYMERIZED LEVELING BINDER WHERE THE SURFACE JOINT WILL BE LOCATED



**IL 58 (GOLF RD.)
PROPOSED TYPICAL SECTION**

STA. 250+51 TO STA. 255+56.46

MODEL: Default
 FILE: Model: P:\pub\harcourt\dot\Documents\DOT_Offices\Default: 1\Project\ID:00819\CADD\Design\ID:00819_sht-ty-cal.dgn

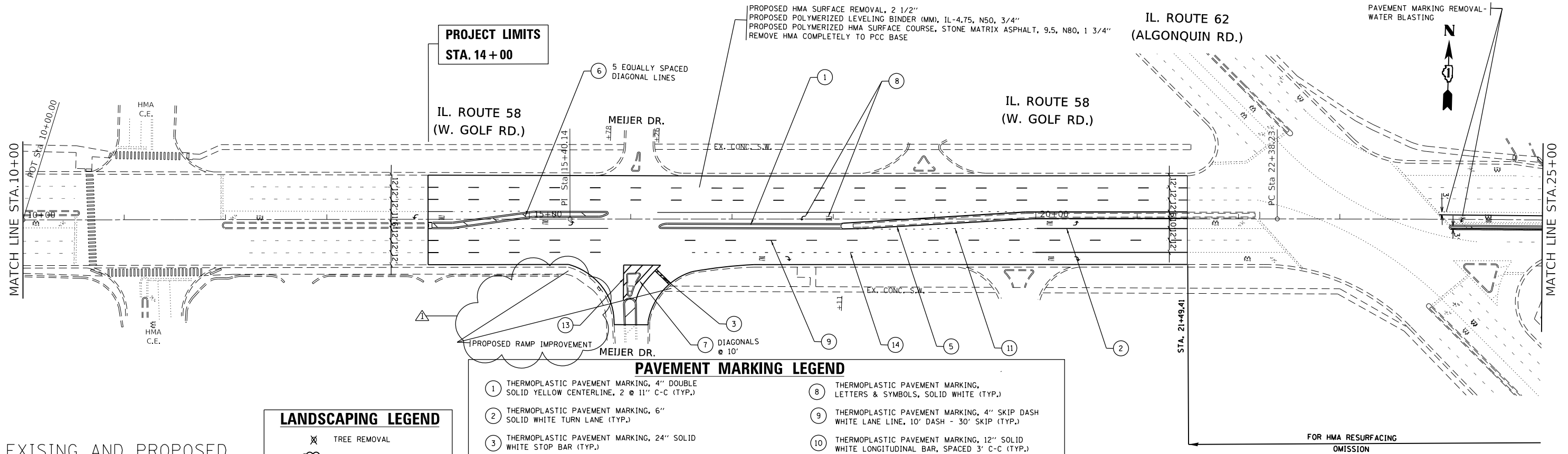
USER NAME = kalorm	DESIGNED -	REVISED -	△ RK 4/12/2019
	DRAWN -	REVISED -	
PLOT SCALE = 100.0000' / in.	CHECKED -	REVISED -	
PLOT DATE = 4/11/2019	DATE -	REVISED -	

**STATE OF ILLINOIS
DEPARTMENT OF TRANSPORTATION**

**EXISTING AND PROPOSED TYPICAL SECTIONS
IL. ROUTE 58 (GOLF RD.) (W/O MEIJER RD. TO BROADWAY ST.)**

SCALE: SHEET OF SHEETS STA. TO STA.

F.A.P. RTE.	SECTION	COUNTY	TOTAL SHEETS	SHEET NO.
339	2018-078-R5	COOK	56	13
CONTRACT NO. 62H12				
ILLINOIS FED. AID PROJECT				



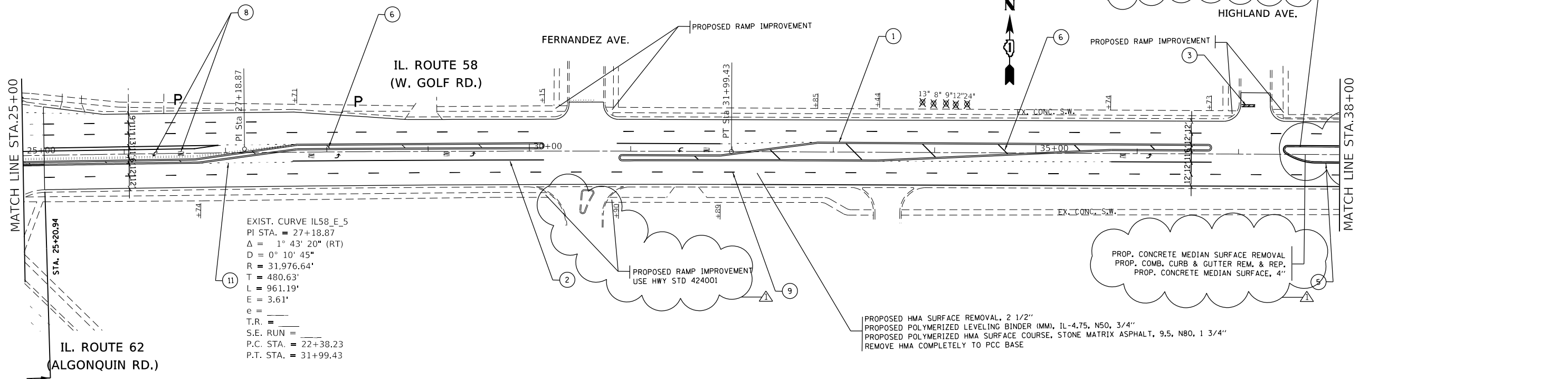
EXISTING AND PROPOSED

LANDSCAPING LEGEND

X	TREE REMOVAL
☁	SELECTIVE CLEARING
L	TREE LIMB REMOVAL
P	TREE PRUNING
S	STUMP REMOVAL

PAVEMENT MARKING LEGEND

①	THERMOPLASTIC PAVEMENT MARKING, 4" DOUBLE SOLID YELLOW CENTERLINE, 2 @ 11" C-C (TYP.)	⑧	THERMOPLASTIC PAVEMENT MARKING, LETTERS & SYMBOLS, SOLID WHITE (TYP.)
②	THERMOPLASTIC PAVEMENT MARKING, 6" SOLID WHITE TURN LANE (TYP.)	⑨	THERMOPLASTIC PAVEMENT MARKING, 4" SKIP DASH WHITE LANE LINE, 10' DASH - 30' SKIP (TYP.)
③	THERMOPLASTIC PAVEMENT MARKING, 24" SOLID WHITE STOP BAR (TYP.)	⑩	THERMOPLASTIC PAVEMENT MARKING, 12" SOLID WHITE LONGITUDINAL BAR, SPACED 3' C-C (TYP.)
④	THERMOPLASTIC PAVEMENT MARKING, 6" SOLID WHITE CROSSWALK LINE, 2 @ 6' C-C (TYP. UNLESS OTHERWISE NOTED)	⑪	THERMOPLASTIC PAVEMENT MARKING, 6" SKIP DASH WHITE TURN LANE, 2' LINE WITH 6' SPACE (TYP.)
⑤	THERMOPLASTIC PAVEMENT MARKING, 4" SINGLE SOLID YELLOW LINE (TYP.)	⑫	THERMOPLASTIC PAVEMENT MARKING, 4" SKIP DASH YELLOW LANE LINE, 10' DASH - 30' SKIP (TYP.)
⑥	THERMOPLASTIC PAVEMENT MARKING, 12" DIAGONAL SOLID YELLOW LINE @ 75' C-C (TYP.) UNLESS SPECIFIED OTHERWISE	⑬	THERMOPLASTIC PAVEMENT MARKING, 8" SOLID WHITE CORE LINE (TYP.)
⑦	THERMOPLASTIC PAVEMENT MARKING, 12" DIAGONAL SOLID WHITE LINE @ 75' C-C (TYP.) UNLESS SPECIFIED OTHERWISE	⑭	THERMOPLASTIC PAVEMENT MARKING, 6" SKIP DASH WHITE TURN LANE, 3' LINE WITH 9' SPACE (TYP.)



EXISTING AND PROPOSED

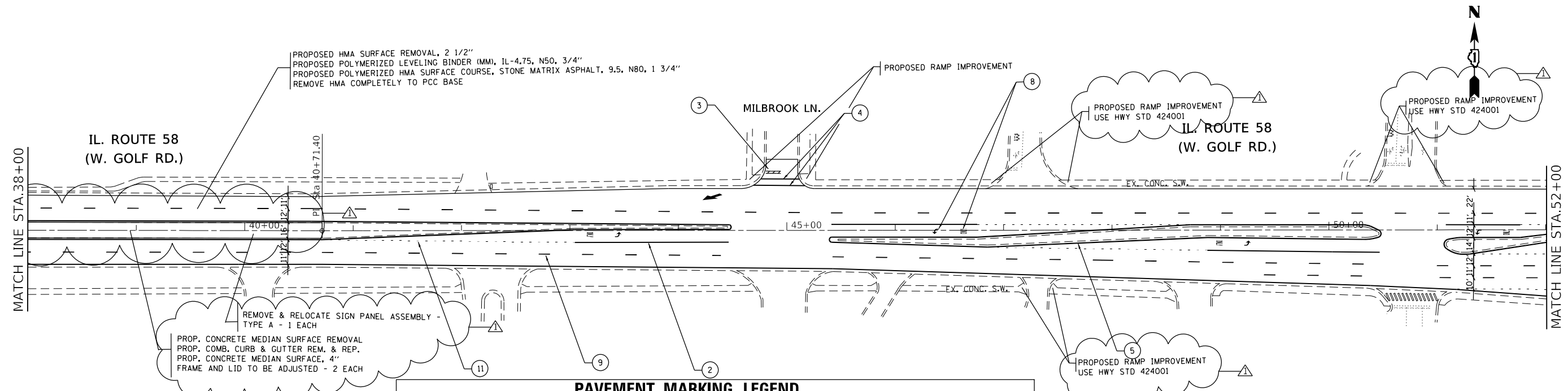
EXIST. CURVE IL58_E_5
 PI STA. = 27+18.87
 $\Delta = 1^\circ 43' 20''$ (RT)
 $D = 0^\circ 10' 45''$
 $R = 31,976.64'$
 $T = 480.63'$
 $L = 961.19'$
 $E = 3.61'$
 $e =$
 T.R. =
 S.E. RUN =
 P.C. STA. = 22+38.23
 P.T. STA. = 31+99.43

USER NAME = kalorm	DESIGNED -	REVISED - Δ RK 04/12/2019
PLOT SCALE = 100,0000' / in.	DRAWN -	REVISED -
PLOT DATE = 4/11/2019	CHECKED -	REVISED -
	DATE -	REVISED -

**STATE OF ILLINOIS
 DEPARTMENT OF TRANSPORTATION**

**EXISTING AND PROPOSED ROADWAY PLANS
 IL. ROUTE 58 (GOLF RD.) (W/O MEIJER RD. TO BROADWAY ST.)**
 SCALE: 1" = 50' SHEET OF SHEETS STA. TO STA.

F.A.P. RTE. 339	SECTION 2018-078-R5	COUNTY COOK	TOTAL SHEETS 56	SHEET NO. 15
CONTRACT NO. 62H12				
ILLINOIS FED. AID PROJECT				



LANDSCAPING LEGEND

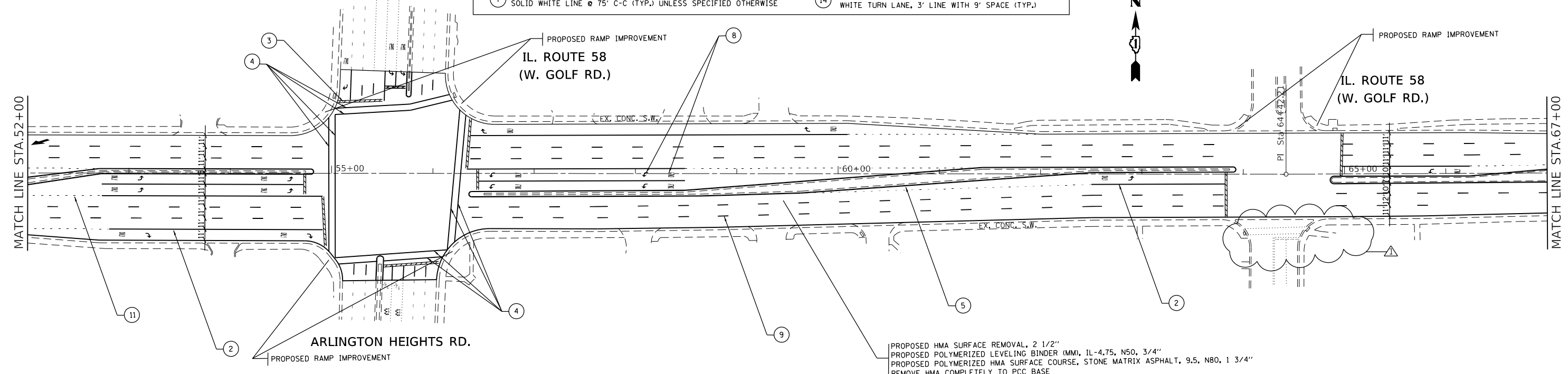
	TREE REMOVAL
	SELECTIVE CLEARING
	TREE LIMB REMOVAL
	TREE PRUNING
	STUMP REMOVAL

PAVEMENT MARKING LEGEND

① THERMOPLASTIC PAVEMENT MARKING, 4" DOUBLE SOLID YELLOW CENTERLINE, 2 @ 11" C-C (TYP.)	⑧ THERMOPLASTIC PAVEMENT MARKING, LETTERS & SYMBOLS, SOLID WHITE (TYP.)
② THERMOPLASTIC PAVEMENT MARKING, 6" SOLID WHITE TURN LANE (TYP.)	⑨ THERMOPLASTIC PAVEMENT MARKING, 4" SKIP DASH WHITE LANE LINE, 10' DASH - 30' SKIP (TYP.)
③ THERMOPLASTIC PAVEMENT MARKING, 24" SOLID WHITE STOP BAR (TYP.)	⑩ THERMOPLASTIC PAVEMENT MARKING, 12" SOLID WHITE LONGITUDINAL BAR, SPACED 3' C-C (TYP.)
④ THERMOPLASTIC PAVEMENT MARKING, 6" SOLID WHITE CROSSWALK LINE, 2 @ 6' C-C (TYP. UNLESS OTHERWISE NOTED)	⑪ THERMOPLASTIC PAVEMENT MARKING, 6" SKIP DASH WHITE TURN LANE, 2' LINE WITH 6' SPACE (TYP.)
⑤ THERMOPLASTIC PAVEMENT MARKING, 4" SINGLE SOLID YELLOW LINE (TYP.)	⑫ THERMOPLASTIC PAVEMENT MARKING, 4" SKIP DASH YELLOW LANE LINE, 10' DASH - 30' SKIP (TYP.)
⑥ THERMOPLASTIC PAVEMENT MARKING, 12" DIAGONAL SOLID YELLOW LINE @ 75' C-C (TYP.) UNLESS SPECIFIED OTHERWISE	⑬ THERMOPLASTIC PAVEMENT MARKING, 8" SOLID WHITE CORE LINE (TYP.)
⑦ THERMOPLASTIC PAVEMENT MARKING, 12" DIAGONAL SOLID WHITE LINE @ 75' C-C (TYP.) UNLESS SPECIFIED OTHERWISE	⑭ THERMOPLASTIC PAVEMENT MARKING, 6" SKIP DASH WHITE TURN LANE, 3' LINE WITH 9' SPACE (TYP.)

EXISTING AND PROPOSED

ARLINGTON HEIGHTS RD.



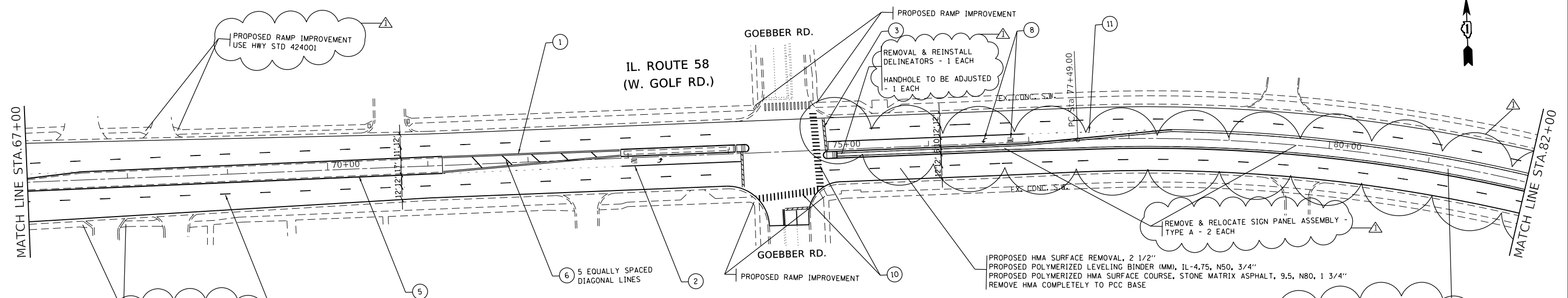
EXISTING AND PROPOSED

USER NAME = kalorm	DESIGNED -	REVISED - RK 04/12/2019
PLOT SCALE = 100,0000' / in.	DRAWN -	REVISED -
PLOT DATE = 4/11/2019	CHECKED -	REVISED -
	DATE -	REVISED -

STATE OF ILLINOIS
DEPARTMENT OF TRANSPORTATION

EXISTING AND PROPOSED ROADWAY PLANS
IL. ROUTE 58 (GOLF RD.) (W/O MEIJER RD. TO BROADWAY ST.)
SCALE: 1"= 50' SHEET OF SHEETS STA. TO STA.

F.A.P. RTE. 339	SECTION 2018-078-R5	COUNTY COOK	TOTAL SHEETS 56	SHEET NO. 16
CONTRACT NO. 62H12				
ILLINOIS FED. AID PROJECT				



EXISTING AND PROPOSED

LANDSCAPING LEGEND

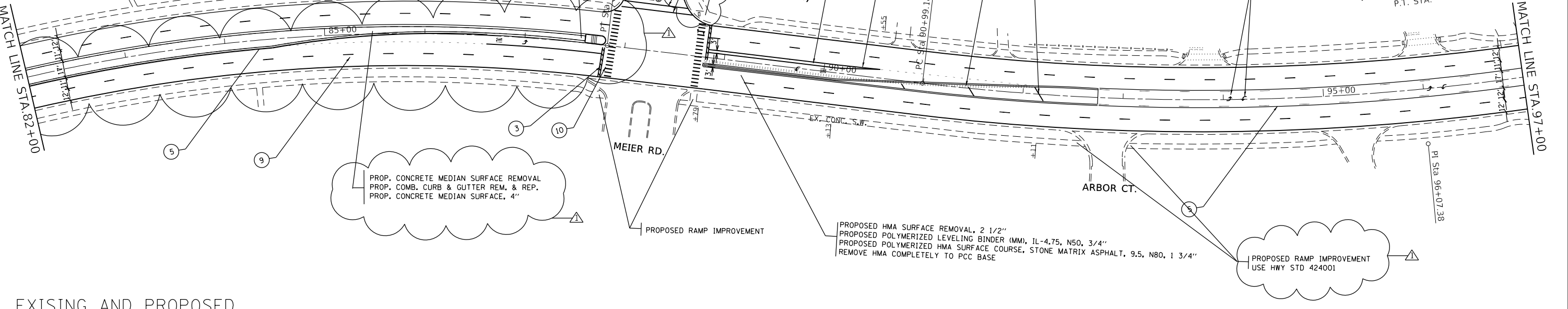
	TREE REMOVAL
	SELECTIVE CLEARING
	TREE LIMB REMOVAL
	TREE PRUNING
	STUMP REMOVAL

PAVEMENT MARKING LEGEND

1	THERMOPLASTIC PAVEMENT MARKING, 4" DOUBLE SOLID YELLOW CENTERLINE, 2 @ 11" C-C (TYP.)	8	THERMOPLASTIC PAVEMENT MARKING, LETTERS & SYMBOLS, SOLID WHITE (TYP.)
2	THERMOPLASTIC PAVEMENT MARKING, 6" SOLID WHITE TURN LANE (TYP.)	9	THERMOPLASTIC PAVEMENT MARKING, 4" SKIP DASH WHITE LANE LINE, 10' DASH - 30' SKIP (TYP.)
3	THERMOPLASTIC PAVEMENT MARKING, 24" SOLID WHITE STOP BAR (TYP.)	10	THERMOPLASTIC PAVEMENT MARKING, 12" SOLID WHITE LONGITUDINAL BAR, SPACED 3' C-C (TYP.)
4	THERMOPLASTIC PAVEMENT MARKING, 6" SOLID WHITE CROSSWALK LINE, 2 @ 6' C-C (TYP. UNLESS OTHERWISE NOTED)	11	THERMOPLASTIC PAVEMENT MARKING, 6" SKIP DASH WHITE TURN LANE, 2' LINE WITH 6' SPACE (TYP.)
5	THERMOPLASTIC PAVEMENT MARKING, 4" SINGLE SOLID YELLOW LINE (TYP.)	12	THERMOPLASTIC PAVEMENT MARKING, 4" SKIP DASH YELLOW LANE LINE, 10' DASH - 30' SKIP (TYP.)
6	THERMOPLASTIC PAVEMENT MARKING, 12" DIAGONAL SOLID YELLOW LINE @ 75' C-C (TYP.) UNLESS SPECIFIED OTHERWISE	13	THERMOPLASTIC PAVEMENT MARKING, 8" SOLID WHITE CORE LINE (TYP.)
7	THERMOPLASTIC PAVEMENT MARKING, 12" DIAGONAL SOLID WHITE LINE @ 75' C-C (TYP.) UNLESS SPECIFIED OTHERWISE	14	THERMOPLASTIC PAVEMENT MARKING, 6" SKIP DASH WHITE TURN LANE, 3' LINE WITH 9' SPACE (TYP.)

EXIST. CURVE IL58_E_12
 PI STA. = 82+82.71
 $\Delta = 35^\circ 20' 49" (RT)$
 $D = 3^\circ 25' 14"$
 $R = 1,675.00'$
 $T = 533.71'$
 $L = 1,033.34'$
 $E = 82.97'$
 $e =$
 $T.R. =$
 $S.E. RUN =$
 $P.C. STA. = 77+49.00$
 $P.T. STA. = 87+82.34$

EXIST. CURVE IL58_E_15
 PI STA. = 96+07.38
 $\Delta = 24^\circ 39' 34" (LT)$
 $D = 2^\circ 27' 52"$
 $R = 2,325.00'$
 $T = 508.20'$
 $L = 1,000.65'$
 $E = 54.89'$
 $e =$
 $T.R. =$
 $S.E. RUN =$
 $P.C. STA. = 90+99.18$
 $P.T. STA. = 100+99.84$



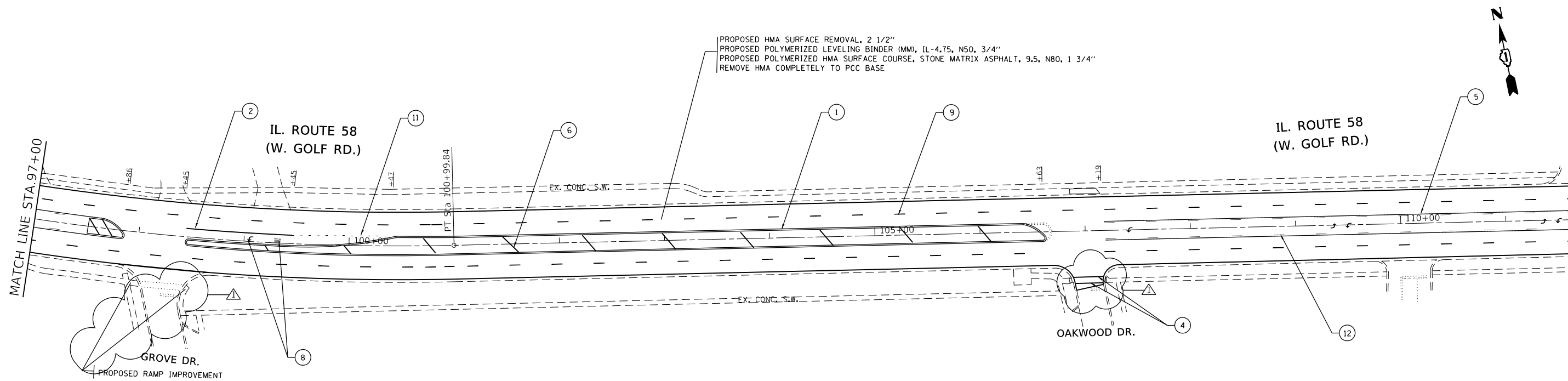
EXISTING AND PROPOSED

USER NAME = kalorm	DESIGNED -	REVISED - RK 04/12/2019
PLOT SCALE = 100,0000' / in.	DRAWN -	REVISED -
PLOT DATE = 4/11/2019	CHECKED -	REVISED -
	DATE -	REVISED -

STATE OF ILLINOIS
 DEPARTMENT OF TRANSPORTATION

EXISTING AND PROPOSED ROADWAY PLANS
 IL. ROUTE 58 (GOLF RD.) (W/O MEIER RD. TO BROADWAY ST.)
 SCALE: 1" = 50'

F.A.P. RTE. 339	SECTION 2018-078-R5	COUNTY COOK	TOTAL SHEETS 56	SHEET NO. 17
CONTRACT NO. 62H12				
ILLINOIS FED. AID PROJECT				



PROPOSED HMA SURFACE REMOVAL, 2 1/2"
 PROPOSED POLYMERIZED LEVELING BINDER (MM), IL-4.75, N50, 3/4"
 PROPOSED POLYMERIZED HMA SURFACE COURSE, STONE MATRIX ASPHALT, 9.5, N80, 1 3/4"
 REMOVE HMA COMPLETELY TO PCC BASE

IL. ROUTE 58
(W. GOLF RD.)

IL. ROUTE 58
(W. GOLF RD.)

MATCH LINE STA. 97+00

MATCH LINE STA. 112+00

LANDSCAPING LEGEND

- TREE REMOVAL
- SELECTIVE CLEARING
- TREE LIMB REMOVAL
- TREE PRUNING
- STUMP REMOVAL

PAVEMENT MARKING LEGEND

- | | |
|--|--|
| ① THERMOPLASTIC PAVEMENT MARKING, 4" DOUBLE SOLID YELLOW CENTERLINE, 2 @ 11" C-C (TYP.) | ⑧ THERMOPLASTIC PAVEMENT MARKING, LETTERS & SYMBOLS, SOLID WHITE (TYP.) |
| ② THERMOPLASTIC PAVEMENT MARKING, 6" SOLID WHITE TURN LANE (TYP.) | ⑨ THERMOPLASTIC PAVEMENT MARKING, 4" SKIP DASH WHITE LANE LINE, 10' DASH - 30' SKIP (TYP.) |
| ③ THERMOPLASTIC PAVEMENT MARKING, 24" SOLID WHITE STOP BAR (TYP.) | ⑩ THERMOPLASTIC PAVEMENT MARKING, 12" SOLID WHITE LONGITUDINAL BAR, SPACED 3' C-C (TYP.) |
| ④ THERMOPLASTIC PAVEMENT MARKING, 6" SOLID WHITE CROSSWALK LINE, 2 @ 6' C-C (TYP. UNLESS OTHERWISE NOTED) | ⑪ THERMOPLASTIC PAVEMENT MARKING, 6" SKIP DASH WHITE TURN LANE, 2' LINE WITH 6' SPACE (TYP.) |
| ⑤ THERMOPLASTIC PAVEMENT MARKING, 4" SINGLE SOLID YELLOW LINE (TYP.) | ⑫ THERMOPLASTIC PAVEMENT MARKING, 4" SKIP DASH YELLOW LANE LINE, 10' DASH - 30' SKIP (TYP.) |
| ⑥ THERMOPLASTIC PAVEMENT MARKING, 12" DIAGONAL SOLID YELLOW LINE @ 75' C-C (TYP.) UNLESS SPECIFIED OTHERWISE | ⑬ THERMOPLASTIC PAVEMENT MARKING, 8" SOLID WHITE CORE LINE (TYP.) |
| ⑦ THERMOPLASTIC PAVEMENT MARKING, 12" DIAGONAL SOLID WHITE LINE @ 75' C-C (TYP.) UNLESS SPECIFIED OTHERWISE | ⑭ THERMOPLASTIC PAVEMENT MARKING, 6" SKIP DASH WHITE TURN LANE, 3' LINE WITH 9' SPACE (TYP.) |

EXISTING AND PROPOSED

MODEL: Default
 FILE: h:\mhc\p\pub\harcam\dat\illinois\pwr\DOT\Documents\DOT_Offices\Dist\ctc_1\Projects\100819\Cadd\Drawings\100819-sh-c-lbr.dgn

USER NAME = kalorm	DESIGNED -	REVISED - RK 04/12/2019
PLOT SCALE = 100.0000' / in.	DRAWN -	REVISED -
PLOT DATE = 4/11/2019	CHECKED -	REVISED -
	DATE -	REVISED -

**STATE OF ILLINOIS
DEPARTMENT OF TRANSPORTATION**

EXISTING AND PROPOSED ROADWAY PLANS			
IL. ROUTE 58 (GOLF RD.) (W/O MEIJER RD. TO BROADWAY ST.)			
SCALE: 1"= 50'	SHEET	OF SHEETS	STA. TO STA.

F.A.P. RTE.	SECTION	COUNTY	TOTAL SHEETS	SHEET NO.
339	2018-078-R5	COOK	56	18
CONTRACT NO. 62H12				
ILLINOIS FED. AID PROJECT				

MATCH LINE STA. 112+00

MATCH LINE STA. 127+00

EXISTING

PROPOSED

BUSSE RD.

IL. ROUTE 58
(W. GOLF RD.)

EDGEWOOD LN.

REMOVE & RELOCATE SIGN PANEL ASSEMBLY -
TYPE A - 1 EACH

DELINEATOR REMOVAL - 1 EACH

REBUILD EXISTING HANDHOLE

PROP. PAVEMENT REMOVAL

PROP. PAVEMENT REMOVAL

PROP. EARTH EXCAVATION
PROP. CURB REMOVAL
PROP. MEDIAN REMOVAL

DELINEATOR REMOVAL - 1 EACH

PROP. EARTH EXCAVATION
PROP. CURB REMOVAL
PROP. MEDIAN REMOVAL

PROP. CONCRETE MEDIAN SURFACE REMOVAL
PROP. COMB. CURB & GUTTER REM. & REP.
FRAME AND LID TO BE ADJUSTED - 1 EACH

LANDSCAPING LEGEND

- TREE REMOVAL
- SELECTIVE CLEARING
- TREE LIMB REMOVAL
- TREE PRUNING
- STUMP REMOVAL

PAVEMENT MARKING LEGEND

- | | |
|--|---|
| 1 THERMOPLASTIC PAVEMENT MARKING, 4" DOUBLE SOLID YELLOW CENTERLINE, 2 @ 11" C-C (TYP.) | 8 THERMOPLASTIC PAVEMENT MARKING, LETTERS & SYMBOLS, SOLID WHITE (TYP.) |
| 2 THERMOPLASTIC PAVEMENT MARKING, 6" SOLID WHITE TURN LANE (TYP.) | 9 THERMOPLASTIC PAVEMENT MARKING, 4" SKIP DASH WHITE LANE LINE, 10' DASH - 30' SKIP (TYP.) |
| 3 THERMOPLASTIC PAVEMENT MARKING, 24" SOLID WHITE STOP BAR (TYP.) | 10 THERMOPLASTIC PAVEMENT MARKING, 12" SOLID WHITE LONGITUDINAL BAR, SPACED 3' C-C (TYP.) |
| 4 THERMOPLASTIC PAVEMENT MARKING, 6" SOLID WHITE CROSSWALK LINE, 2 @ 6' C-C (TYP. UNLESS OTHERWISE NOTED) | 11 THERMOPLASTIC PAVEMENT MARKING, 6" SKIP DASH WHITE TURN LANE, 2' LINE WITH 6' SPACE (TYP.) |
| 5 THERMOPLASTIC PAVEMENT MARKING, 4" SINGLE SOLID YELLOW LINE (TYP.) | 12 THERMOPLASTIC PAVEMENT MARKING, 4" SKIP DASH YELLOW LANE LINE, 10' DASH - 30' SKIP (TYP.) |
| 6 THERMOPLASTIC PAVEMENT MARKING, 12" DIAGONAL SOLID YELLOW LINE @ 75' C-C (TYP.) UNLESS SPECIFIED OTHERWISE | 13 THERMOPLASTIC PAVEMENT MARKING, 8" SOLID WHITE CORE LINE (TYP.) |
| 7 THERMOPLASTIC PAVEMENT MARKING, 12" DIAGONAL SOLID WHITE LINE @ 75' C-C (TYP.) UNLESS SPECIFIED OTHERWISE | 14 THERMOPLASTIC PAVEMENT MARKING, 6" SKIP DASH WHITE TURN LANE, 3' LINE WITH 9' SPACE (TYP.) |

BUSSE RD.

IL. ROUTE 58
(W. GOLF RD.)

EDGEWOOD LN.

PROPOSED RAMP IMPROVEMENT

PROPOSED CONCRETE MEIDAN, TYPE SB-6.06

PROPOSED RAMP IMPROVEMENT

PROP. CONC. MEIDAN, TYPE SB-6.06

5 EQUALLY SPACED DIAGONAL LINES

MATCH LINE STA. 112+00

MATCH LINE STA. 127+00

PROP. CONC. MEDIAN SURFACE, 4"
PROP. COMB. CONC. CURB & GUTTER, TYPE B-6.06

PROPOSED HMA SURFACE REMOVAL, 2 1/2"
PROPOSED POLYMERIZED LEVELING BINDER (MM), IL-4.75, N50, 3/4"
PROPOSED POLYMERIZED HMA SURFACE COURSE, STONE MATRIX ASPHALT, 9.5, N80, 1 3/4"
REMOVE HMA COMPLETELY TO PCC BASE

PROP. CONCRETE MEDIAN SURFACE, 4"

USER NAME = kalorm	DESIGNED -	REVISED - RK 04/12/2019
	DRAWN -	REVISED -
PLOT SCALE = 100,0000' / in.	CHECKED -	REVISED -
PLOT DATE = 4/11/2019	DATE -	REVISED -

STATE OF ILLINOIS
DEPARTMENT OF TRANSPORTATION

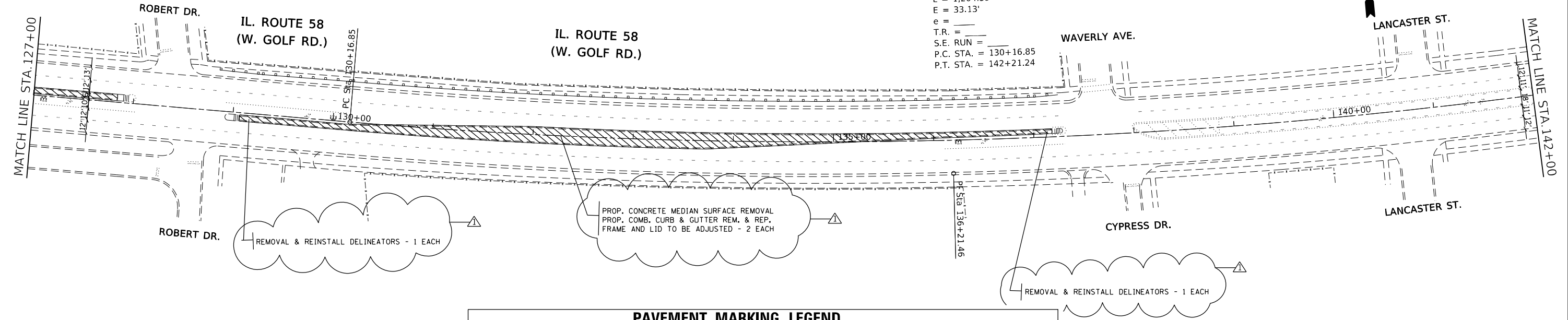
EXISTING AND PROPOSED ROADWAY PLANS
IL. ROUTE 58 (GOLF RD.) (W/O MEIJER RD. TO BROADWAY ST.)

SCALE: SHEET OF SHEETS STA. TO STA.

F.A.P. RTE. 339	SECTION 2018-078-R5	COUNTY COOK	TOTAL SHEETS 56	SHEET NO. 19
CONTRACT NO. 62H12				
ILLINOIS FED. AID PROJECT				

MODEL: Default
FILE: \\nrcs-prod\pub\baronm.d\at\illinois.gov\PWIDOT\Documents\DOT_Offices\District_1\Projects\100819\CADD\Drawings\100819-sh-4-bar.dgn

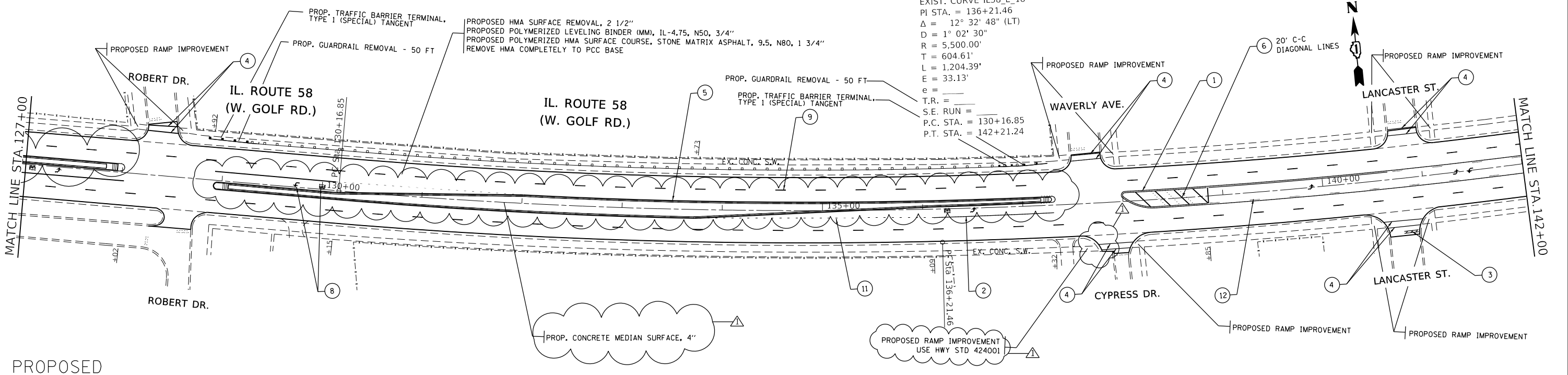
EXIST. CURVE IL58_E_18
 PI STA. = 136+21.46
 $\Delta = 12^\circ 32' 48''$ (LT)
 $D = 1^\circ 02' 30''$
 $R = 5,500.00'$
 $T = 604.61'$
 $L = 1,204.39'$
 $E = 33.13'$
 $e =$
 $T.R. =$
 $S.E. RUN =$
 $P.C. STA. = 130+16.85$
 $P.T. STA. = 142+21.24$



PAVEMENT MARKING LEGEND	
1	THERMOPLASTIC PAVEMENT MARKING, 4" DOUBLE SOLID YELLOW CENTERLINE, 2 @ 11" C-C (TYP.)
2	THERMOPLASTIC PAVEMENT MARKING, 6" SOLID WHITE TURN LANE (TYP.)
3	THERMOPLASTIC PAVEMENT MARKING, 24" SOLID WHITE STOP BAR (TYP.)
4	THERMOPLASTIC PAVEMENT MARKING, 6" SOLID WHITE CROSSWALK LINE, 2 @ 6' C-C (TYP. UNLESS OTHERWISE NOTED)
5	THERMOPLASTIC PAVEMENT MARKING, 4" SINGLE SOLID YELLOW LINE (TYP.)
6	THERMOPLASTIC PAVEMENT MARKING, 12" DIAGONAL SOLID YELLOW LINE @ 75' C-C (TYP.) UNLESS SPECIFIED OTHERWISE
7	THERMOPLASTIC PAVEMENT MARKING, 12" DIAGONAL SOLID WHITE LINE @ 75' C-C (TYP.) UNLESS SPECIFIED OTHERWISE
8	THERMOPLASTIC PAVEMENT MARKING, LETTERS & SYMBOLS, SOLID WHITE (TYP.)
9	THERMOPLASTIC PAVEMENT MARKING, 4" SKIP DASH WHITE LANE LINE, 10' DASH - 30' SKIP (TYP.)
10	THERMOPLASTIC PAVEMENT MARKING, 12" SOLID WHITE LONGITUDINAL BAR, SPACED 3' C-C (TYP.)
11	THERMOPLASTIC PAVEMENT MARKING, 6" SKIP DASH WHITE TURN LANE, 2' LINE WITH 6' SPACE (TYP.)
12	THERMOPLASTIC PAVEMENT MARKING, 4" SKIP DASH YELLOW LANE LINE, 10' DASH - 30' SKIP (TYP.)
13	THERMOPLASTIC PAVEMENT MARKING, 8" SOLID WHITE CORE LINE (TYP.)
14	THERMOPLASTIC PAVEMENT MARKING, 6" SKIP DASH WHITE TURN LANE, 3' LINE WITH 9' SPACE (TYP.)

LANDSCAPING LEGEND	
X	TREE REMOVAL
☁	SELECTIVE CLEARING
L	TREE LIMB REMOVAL
P	TREE PRUNING
S	STUMP REMOVAL

EXISTING



EXIST. CURVE IL58_E_18
 PI STA. = 136+21.46
 $\Delta = 12^\circ 32' 48''$ (LT)
 $D = 1^\circ 02' 30''$
 $R = 5,500.00'$
 $T = 604.61'$
 $L = 1,204.39'$
 $E = 33.13'$
 $e =$
 $T.R. =$
 $S.E. RUN =$
 $P.C. STA. = 130+16.85$
 $P.T. STA. = 142+21.24$

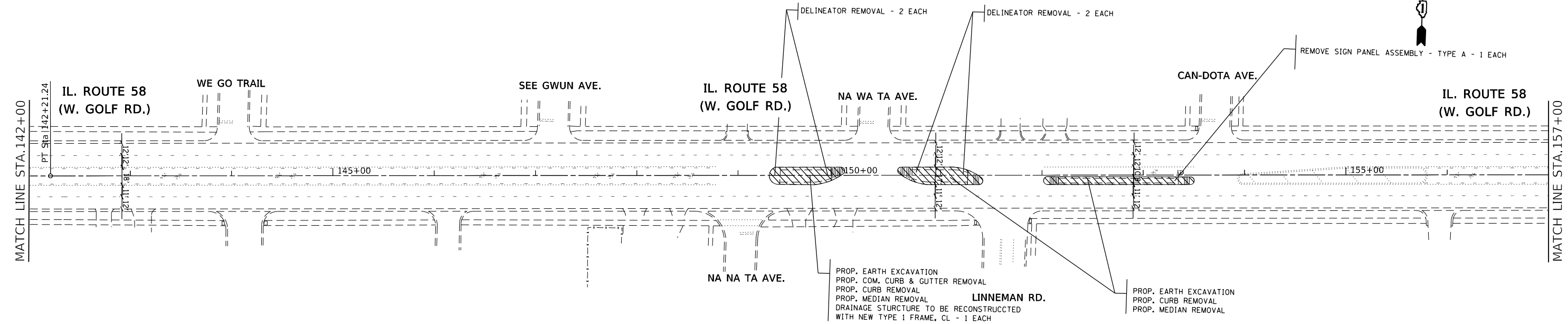
PROPOSED

USER NAME = kalorm	DESIGNED -	REVISED - Δ RK 04/12/2019
	DRAWN -	REVISED -
PLOT SCALE = 100,0000' / in.	CHECKED -	REVISED -
PLOT DATE = 4/11/2019	DATE -	REVISED -

STATE OF ILLINOIS
 DEPARTMENT OF TRANSPORTATION

EXISTING AND PROPOSED ROADWAY PLANS
 IL. ROUTE 58 (GOLF RD.) (W/O MEIJER RD. TO BROADWAY ST.)
 SCALE: SHEET OF SHEETS STA. TO STA.

F.A.P. RTE.	SECTION	COUNTY	TOTAL SHEETS	SHEET NO.
339	2018-078-R5	COOK	56	20
CONTRACT NO. 62H12				
ILLINOIS FED. AID PROJECT				



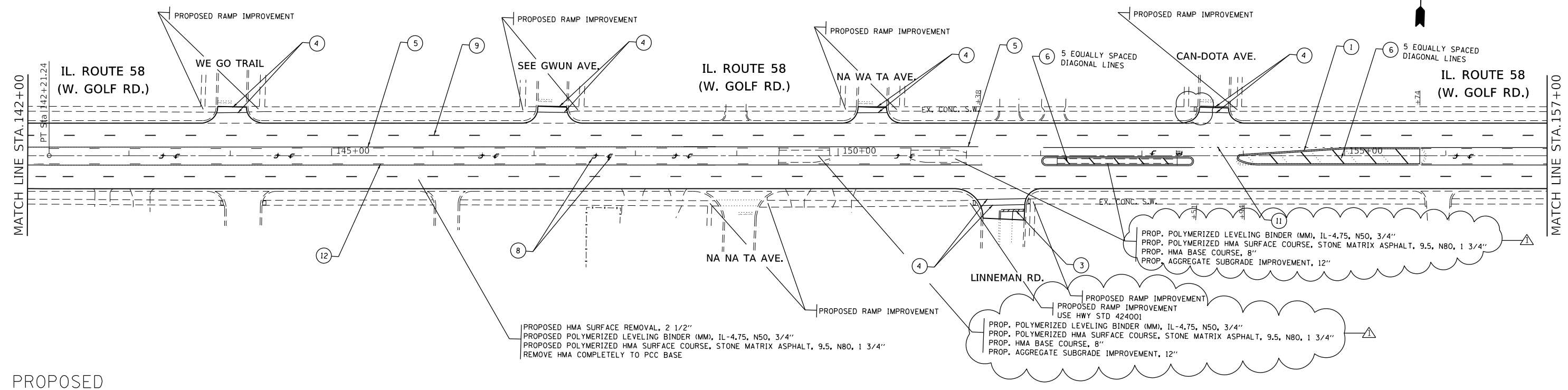
LANDSCAPING LEGEND

	TREE REMOVAL
	SELECTIVE CLEARING
	TREE LIMB REMOVAL
	TREE PRUNING
	STUMP REMOVAL

PAVEMENT MARKING LEGEND

1	THERMOPLASTIC PAVEMENT MARKING, 4" DOUBLE SOLID YELLOW CENTERLINE, 2 @ 11" C-C (TYP.)	8	THERMOPLASTIC PAVEMENT MARKING, LETTERS & SYMBOLS, SOLID WHITE (TYP.)
2	THERMOPLASTIC PAVEMENT MARKING, 6" SOLID WHITE TURN LANE (TYP.)	9	THERMOPLASTIC PAVEMENT MARKING, 4" SKIP DASH WHITE LANE LINE, 10' DASH - 30' SKIP (TYP.)
3	THERMOPLASTIC PAVEMENT MARKING, 24" SOLID WHITE STOP BAR (TYP.)	10	THERMOPLASTIC PAVEMENT MARKING, 12" SOLID WHITE LONGITUDINAL BAR, SPACED 3' C-C (TYP.)
4	THERMOPLASTIC PAVEMENT MARKING, 6" SOLID WHITE CROSSWALK LINE, 2 @ 6' C-C (TYP. UNLESS OTHERWISE NOTED)	11	THERMOPLASTIC PAVEMENT MARKING, 6" SKIP DASH WHITE TURN LANE, 2' LINE WITH 6' SPACE (TYP.)
5	THERMOPLASTIC PAVEMENT MARKING, 4" SINGLE SOLID YELLOW LINE (TYP.)	12	THERMOPLASTIC PAVEMENT MARKING, 4" SKIP DASH YELLOW LANE LINE, 10' DASH - 30' SKIP (TYP.)
6	THERMOPLASTIC PAVEMENT MARKING, 12" DIAGONAL SOLID YELLOW LINE @ 75' C-C (TYP.) UNLESS SPECIFIED OTHERWISE	13	THERMOPLASTIC PAVEMENT MARKING, 8" SOLID WHITE CORE LINE (TYP.)
7	THERMOPLASTIC PAVEMENT MARKING, 12" DIAGONAL SOLID WHITE LINE @ 75' C-C (TYP.) UNLESS SPECIFIED OTHERWISE	14	THERMOPLASTIC PAVEMENT MARKING, 6" SKIP DASH WHITE TURN LANE, 3' LINE WITH 9' SPACE (TYP.)

EXISTING



PROPOSED



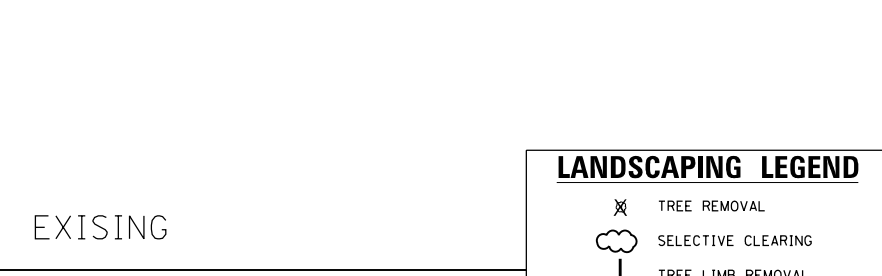
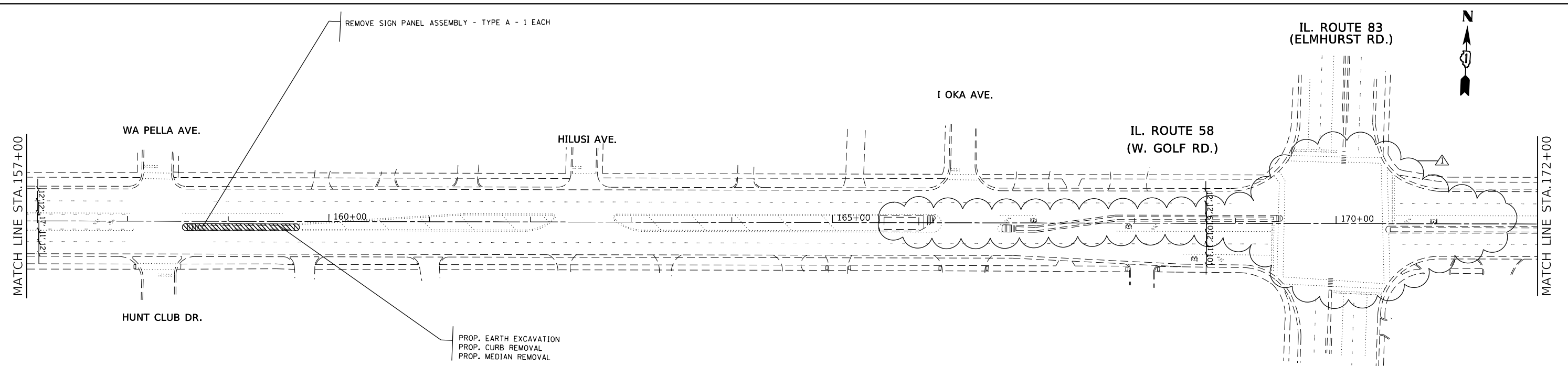
USER NAME = kalorm	DESIGNED -	REVISED - RK 04/12/2019
	DRAWN -	REVISED -
PLOT SCALE = 100.0000' / in.	CHECKED -	REVISED -
PLOT DATE = 4/11/2019	DATE -	REVISED -

**STATE OF ILLINOIS
DEPARTMENT OF TRANSPORTATION**

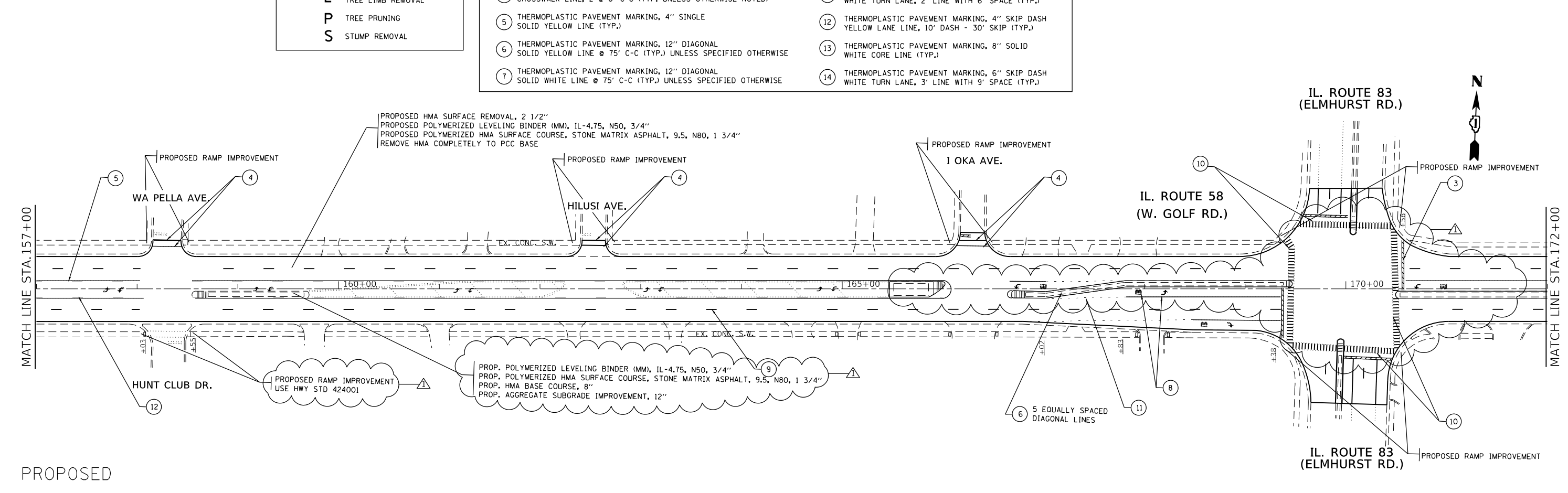
**EXISTING AND PROPOSED ROADWAY PLANS
IL. ROUTE 58 (GOLF RD.) (W/O MEIJER RD. TO BROADWAY ST.)**
SCALE: 1" = 50' SHEET OF SHEETS STA. TO STA.

F.A.P. RTE. 339	SECTION 2018-078-R5	COUNTY COOK	TOTAL SHEETS 56	SHEET NO. 21
CONTRACT NO. 62H12				
ILLINOIS FED. AID PROJECT				

MODEL: Default FILE: \\nrcs-prod\pub\baronm.dwg\Illinois.gov\PIWDOT\Documents\DOT_Offices\District_1\Projects\100819\CADD\Drawings\100819-sh-c-lbar.dwg



PAVEMENT MARKING LEGEND			
1	THERMOPLASTIC PAVEMENT MARKING, 4" DOUBLE SOLID YELLOW CENTERLINE, 2 @ 11" C-C (TYP.)	8	THERMOPLASTIC PAVEMENT MARKING, LETTERS & SYMBOLS, SOLID WHITE (TYP.)
2	THERMOPLASTIC PAVEMENT MARKING, 6" SOLID WHITE TURN LANE (TYP.)	9	THERMOPLASTIC PAVEMENT MARKING, 4" SKIP DASH WHITE LANE LINE, 10' DASH - 30' SKIP (TYP.)
3	THERMOPLASTIC PAVEMENT MARKING, 24" SOLID WHITE STOP BAR (TYP.)	10	THERMOPLASTIC PAVEMENT MARKING, 12" SOLID WHITE LONGITUDINAL BAR, SPACED 3' C-C (TYP.)
4	THERMOPLASTIC PAVEMENT MARKING, 6" SOLID WHITE CROSSWALK LINE, 2 @ 6' C-C (TYP. UNLESS OTHERWISE NOTED)	11	THERMOPLASTIC PAVEMENT MARKING, 6" SKIP DASH WHITE TURN LANE, 2' LINE WITH 6' SPACE (TYP.)
5	THERMOPLASTIC PAVEMENT MARKING, 4" SINGLE SOLID YELLOW LINE (TYP.)	12	THERMOPLASTIC PAVEMENT MARKING, 4" SKIP DASH YELLOW LANE LINE, 10' DASH - 30' SKIP (TYP.)
6	THERMOPLASTIC PAVEMENT MARKING, 12" DIAGONAL SOLID YELLOW LINE @ 75' C-C (TYP.) UNLESS SPECIFIED OTHERWISE	13	THERMOPLASTIC PAVEMENT MARKING, 8" SOLID WHITE CORE LINE (TYP.)
7	THERMOPLASTIC PAVEMENT MARKING, 12" DIAGONAL SOLID WHITE LINE @ 75' C-C (TYP.) UNLESS SPECIFIED OTHERWISE	14	THERMOPLASTIC PAVEMENT MARKING, 6" SKIP DASH WHITE TURN LANE, 3' LINE WITH 9' SPACE (TYP.)



MODEL: Default
 FILE: \\nrcs-prod-planning\proj\190819\190819-001\190819-001.dwg
 PROJECT: 190819-001\190819-001.dwg
 USER: kalorm

USER NAME = kalorm	DESIGNED -	REVISED - RK 04/12/2019
PLOT SCALE = 100.0000' / in.	DRAWN -	REVISED -
PLOT DATE = 4/11/2019	CHECKED -	REVISED -
	DATE -	REVISED -

STATE OF ILLINOIS
DEPARTMENT OF TRANSPORTATION

EXISTING AND PROPOSED ROADWAY PLANS
IL. ROUTE 58 (GOLF RD.) (W/O MEIJER RD. TO BROADWAY ST.)

F.A.P. RTE.	SECTION	COUNTY	TOTAL SHEETS	SHEET NO.
339	2018-078-R5	COOK	56	22
CONTRACT NO. 62H12				
		ILLINOIS	FED. AID PROJECT	

MATCH LINE STA. 172+00

MATCH LINE STA. 187+00

EXISTING

MATCH LINE STA. 172+00

MATCH LINE STA. 187+00

PROPOSED



IL. ROUTE 58
(W. GOLF RD.)

IL. ROUTE 58
(W. GOLF RD.)

IL. ROUTE 58
(W. GOLF RD.)

IL. ROUTE 58
(W. GOLF RD.)

MAIN ST. /COUNTRY LN

BEAU DR.

PROPOSED RAMP IMPROVEMENT

REMOVE & RELOCATE SIGN PANEL ASSEMBLY -
TYPE A - 3 EACH

PROP. CONCRETE MEDIAN SURFACE REMOVAL
PROP. COMB. CURB & GUTTER REM. & REP.

REMOVE & RELOCATE SIGN PANEL ASSEMBLY -
TYPE A - 1 EACH

PROP. CONCRETE MEDIAN SURFACE REMOVAL
PROP. COMB. CURB & GUTTER REM. & REP.

PROP. CONCRETE MEDIAN SURFACE, 4"

PROP. CONCRETE MEDIAN SURFACE, 4"

PROPOSED HMA SURFACE REMOVAL, 2 1/2"
PROPOSED POLYMERIZED LEVELING BINDER (MM), IL-4.75, N50, 3/4"
PROPOSED POLYMERIZED HMA SURFACE COURSE, STONE MATRIX ASPHALT, 9.5, N80, 1 3/4"
REMOVE HMA COMPLETELY TO PCC BASE

LANDSCAPING LEGEND

X	TREE REMOVAL
☁	SELECTIVE CLEARING
L	TREE LIMB REMOVAL
P	TREE PRUNING
S	STUMP REMOVAL

PAVEMENT MARKING LEGEND

1	THERMOPLASTIC PAVEMENT MARKING, 4" DOUBLE SOLID YELLOW CENTERLINE, 2 @ 11" C-C (TYP.)	8	THERMOPLASTIC PAVEMENT MARKING, LETTERS & SYMBOLS, SOLID WHITE (TYP.)
2	THERMOPLASTIC PAVEMENT MARKING, 6" SOLID WHITE TURN LANE (TYP.)	9	THERMOPLASTIC PAVEMENT MARKING, 4" SKIP DASH WHITE LANE LINE, 10' DASH - 30' SKIP (TYP.)
3	THERMOPLASTIC PAVEMENT MARKING, 24" SOLID WHITE STOP BAR (TYP.)	10	THERMOPLASTIC PAVEMENT MARKING, 12" SOLID WHITE LONGITUDINAL BAR, SPACED 3' C-C (TYP.)
4	THERMOPLASTIC PAVEMENT MARKING, 6" SOLID WHITE CROSSWALK LINE, 2 @ 6' C-C (TYP. UNLESS OTHERWISE NOTED)	11	THERMOPLASTIC PAVEMENT MARKING, 6" SKIP DASH WHITE TURN LANE, 2' LINE WITH 6' SPACE (TYP.)
5	THERMOPLASTIC PAVEMENT MARKING, 4" SINGLE SOLID YELLOW LINE (TYP.)	12	THERMOPLASTIC PAVEMENT MARKING, 4" SKIP DASH YELLOW LANE LINE, 10' DASH - 30' SKIP (TYP.)
6	THERMOPLASTIC PAVEMENT MARKING, 12" DIAGONAL SOLID YELLOW LINE @ 75' C-C (TYP.) UNLESS SPECIFIED OTHERWISE	13	THERMOPLASTIC PAVEMENT MARKING, 8" SOLID WHITE CORE LINE (TYP.)
7	THERMOPLASTIC PAVEMENT MARKING, 12" DIAGONAL SOLID WHITE LINE @ 75' C-C (TYP.) UNLESS SPECIFIED OTHERWISE	14	THERMOPLASTIC PAVEMENT MARKING, 6" SKIP DASH WHITE TURN LANE, 3' LINE WITH 9' SPACE (TYP.)

MODEL: Default
FILE: \\mhc-pub\baronm.dta\illinois.gov\PWIDOT\Documents\DOT_Offices\District 1\Projects\100819\CaddData\Design\100819-sh-c-lan.dgn

USER NAME = kalorm	DESIGNED -	REVISED -
	DRAWN -	REVISED -
PLOT SCALE = 100.0000' / in.	CHECKED -	REVISED -
PLOT DATE = 4/11/2019	DATE -	REVISED -

STATE OF ILLINOIS
DEPARTMENT OF TRANSPORTATION

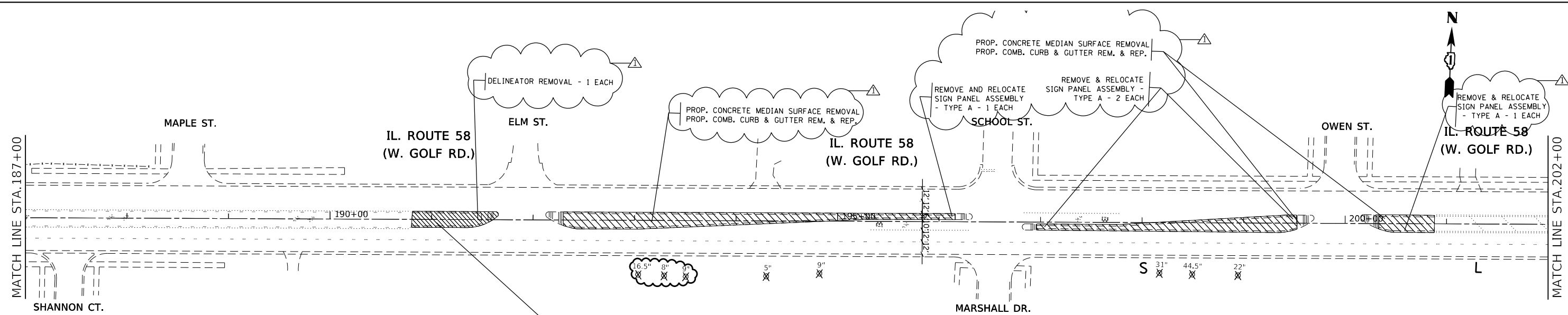
EXISTING AND PROPOSED ROADWAY PLANS
IL. ROUTE 58 (GOLF RD.) (W/O MEIJER RD. TO BROADWAY ST.)

SCALE: 1"= 50'

SHEET	OF	SHEETS	STA.	TO	STA.
-------	----	--------	------	----	------

F.A.P. RTE.	SECTION	COUNTY	TOTAL SHEETS	SHEET NO.
339	2018-078-R5	COOK	56	23
CONTRACT NO. 62H12				
ILLINOIS FED. AID PROJECT				

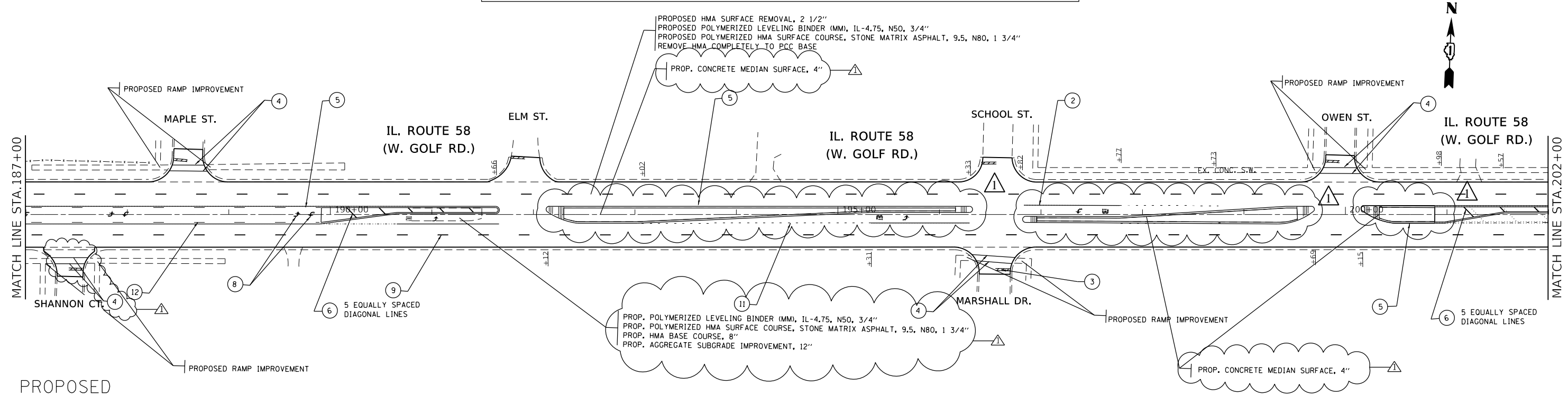
REV. 4/17/19



EXISTING

LANDSCAPING LEGEND	
☒	TREE REMOVAL
☁	SELECTIVE CLEARING
L	TREE LIMB REMOVAL
P	TREE PRUNING
S	STUMP REMOVAL

PAVEMENT MARKING LEGEND			
①	THERMOPLASTIC PAVEMENT MARKING, 4" DOUBLE SOLID YELLOW CENTERLINE, 2 @ 11" C-C (TYP.)	⑧	THERMOPLASTIC PAVEMENT MARKING, LETTERS & SYMBOLS, SOLID WHITE (TYP.)
②	THERMOPLASTIC PAVEMENT MARKING, 6" SOLID WHITE TURN LANE (TYP.)	⑨	THERMOPLASTIC PAVEMENT MARKING, 4" SKIP DASH WHITE LANE LINE, 10' DASH - 30' SKIP (TYP.)
③	THERMOPLASTIC PAVEMENT MARKING, 24" SOLID WHITE STOP BAR (TYP.)	⑩	THERMOPLASTIC PAVEMENT MARKING, 12" SOLID WHITE LONGITUDINAL BAR, SPACED 3' C-C (TYP.)
④	THERMOPLASTIC PAVEMENT MARKING, 6" SOLID WHITE CROSSWALK LINE, 2 @ 6' C-C (TYP. UNLESS OTHERWISE NOTED)	⑪	THERMOPLASTIC PAVEMENT MARKING, 6" SKIP DASH WHITE TURN LANE, 2' LINE WITH 6' SPACE (TYP.)
⑤	THERMOPLASTIC PAVEMENT MARKING, 4" SINGLE SOLID YELLOW LINE (TYP.)	⑫	THERMOPLASTIC PAVEMENT MARKING, 4" SKIP DASH YELLOW LANE LINE, 10' DASH - 30' SKIP (TYP.)
⑥	THERMOPLASTIC PAVEMENT MARKING, 12" DIAGONAL SOLID YELLOW LINE @ 75' C-C (TYP.) UNLESS SPECIFIED OTHERWISE	⑬	THERMOPLASTIC PAVEMENT MARKING, 8" SOLID WHITE CORE LINE (TYP.)
⑦	THERMOPLASTIC PAVEMENT MARKING, 12" DIAGONAL SOLID WHITE LINE @ 75' C-C (TYP.) UNLESS SPECIFIED OTHERWISE	⑭	THERMOPLASTIC PAVEMENT MARKING, 6" SKIP DASH WHITE TURN LANE, 3' LINE WITH 9' SPACE (TYP.)



PROPOSED

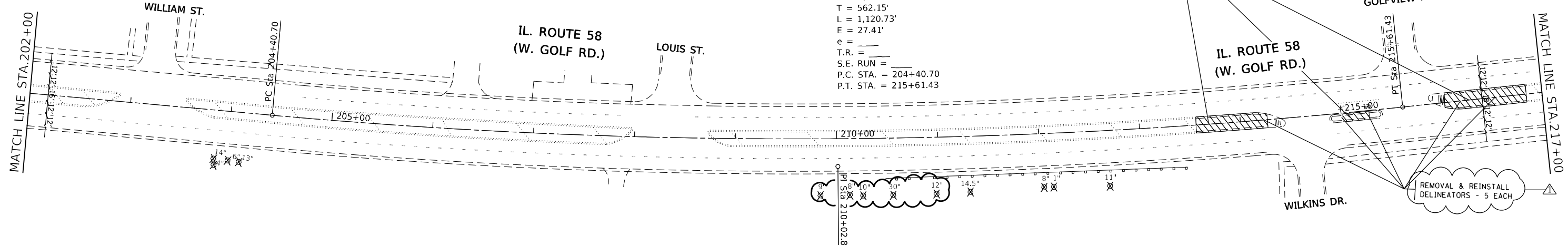
MODEL: Default
 FILE: Model.dwg
 PROJECT: 2018-078-R5-IL-ROUTE 58 (W/GOLF RD.) TO BROADWAY ST.
 SHEET: 24 OF 56

USER NAME = kalom	DESIGNED -	REVISED - ▲ RK 04/16/2019
	DRAWN -	REVISED -
PLOT SCALE = 100.0000' / in.	CHECKED -	REVISED -
PLOT DATE = 4/16/2019	DATE -	REVISED -

**STATE OF ILLINOIS
DEPARTMENT OF TRANSPORTATION**

EXISTING AND PROPOSED ROADWAY PLANS IL. ROUTE 58 (GOLF RD.) (W/O MEIJER RD. TO BROADWAY ST.)			
SCALE:	SHEET	OF SHEETS	STA. TO STA.

F.A.P. RTE.	SECTION	COUNTY	TOTAL SHEETS	SHEET NO.
339	2018-078-R5	COOK	56	24
CONTRACT NO. 62H12				
ILLINOIS FED. AID PROJECT				

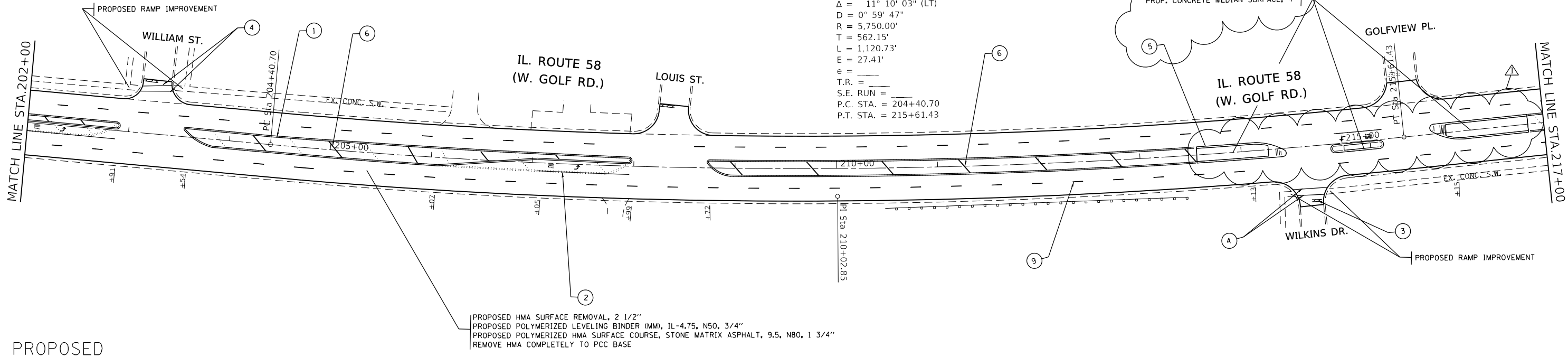


PAVEMENT MARKING LEGEND

- | | |
|--|--|
| ① THERMOPLASTIC PAVEMENT MARKING, 4" DOUBLE SOLID YELLOW CENTERLINE, 2 @ 11" C-C (TYP.) | ⑧ THERMOPLASTIC PAVEMENT MARKING, LETTERS & SYMBOLS, SOLID WHITE (TYP.) |
| ② THERMOPLASTIC PAVEMENT MARKING, 6" SOLID WHITE TURN LANE (TYP.) | ⑨ THERMOPLASTIC PAVEMENT MARKING, 4" SKIP DASH WHITE LANE LINE, 10' DASH - 30' SKIP (TYP.) |
| ③ THERMOPLASTIC PAVEMENT MARKING, 24" SOLID WHITE STOP BAR (TYP.) | ⑩ THERMOPLASTIC PAVEMENT MARKING, 12" SOLID WHITE LONGITUDINAL BAR, SPACED 3' C-C (TYP.) |
| ④ THERMOPLASTIC PAVEMENT MARKING, 6" SOLID WHITE CROSSWALK LINE, 2 @ 6' C-C (TYP. UNLESS OTHERWISE NOTED) | ⑪ THERMOPLASTIC PAVEMENT MARKING, 6" SKIP DASH WHITE TURN LANE, 2' LINE WITH 6' SPACE (TYP.) |
| ⑤ THERMOPLASTIC PAVEMENT MARKING, 4" SINGLE SOLID YELLOW LINE (TYP.) | ⑫ THERMOPLASTIC PAVEMENT MARKING, 4" SKIP DASH YELLOW LANE LINE, 10' DASH - 30' SKIP (TYP.) |
| ⑥ THERMOPLASTIC PAVEMENT MARKING, 12" DIAGONAL SOLID YELLOW LINE @ 75' C-C (TYP.) UNLESS SPECIFIED OTHERWISE | ⑬ THERMOPLASTIC PAVEMENT MARKING, 8" SOLID WHITE CORE LINE (TYP.) |
| ⑦ THERMOPLASTIC PAVEMENT MARKING, 12" DIAGONAL SOLID WHITE LINE @ 75' C-C (TYP.) UNLESS SPECIFIED OTHERWISE | ⑭ THERMOPLASTIC PAVEMENT MARKING, 6" SKIP DASH WHITE TURN LANE, 3' LINE WITH 9' SPACE (TYP.) |

- LANDSCAPING LEGEND**
- X TREE REMOVAL
 - ☁ SELECTIVE CLEARING
 - L TREE LIMB REMOVAL
 - P TREE PRUNING
 - S STUMP REMOVAL

EXISTING



PROPOSED

MODEL: Default
 FILE: \\s:\c:\p\planningroom\dta\illinois.gov\p\w\DOT\Documents\DOT_Offices\District_1\Projects\2018-078-R5\Roadway\Design\1\000819-sh-c-lbr.dgn

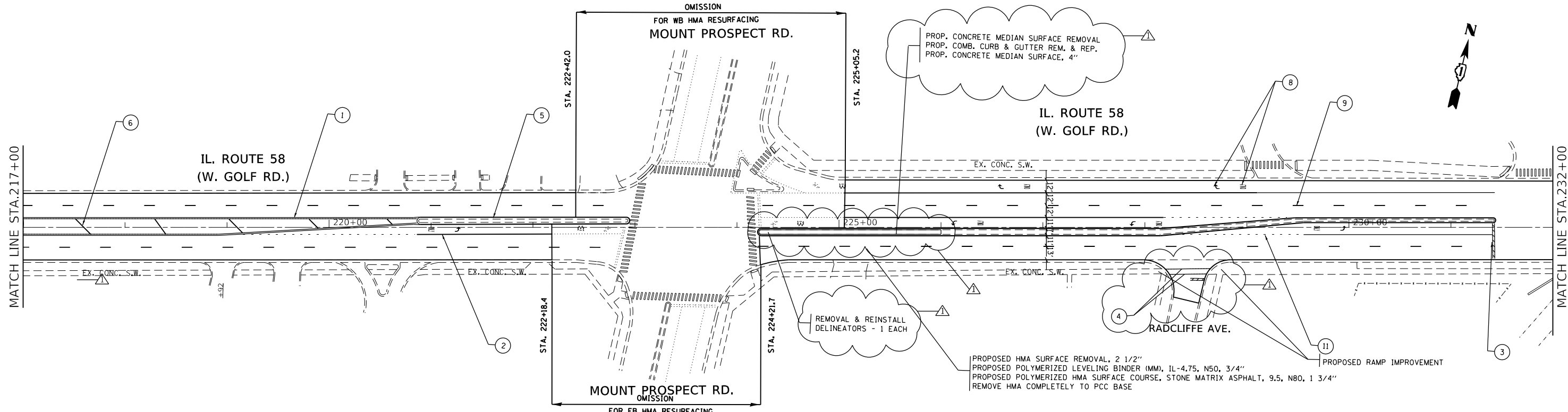
USER NAME = kalorm	DESIGNED -	REVISED - Δ RK 04/12/2019
PLOT SCALE = 100,0000' / in.	DRAWN -	REVISED -
PLOT DATE = 4/11/2019	CHECKED -	REVISED -
	DATE -	REVISED -

**STATE OF ILLINOIS
DEPARTMENT OF TRANSPORTATION**

**EXISTING AND PROPOSED ROADWAY PLANS
IL. ROUTE 58 (GOLF RD.) (W/O MEIJER RD. TO BROADWAY ST.)**

SCALE: 1" = 50' SHEET OF SHEETS STA. TO STA.

F.A.P. RTE.	SECTION	COUNTY	TOTAL SHEETS	SHEET NO.
339	2018-078-R5	COOK	56	25
CONTRACT NO. 62H12				
ILLINOIS FED. AID PROJECT				



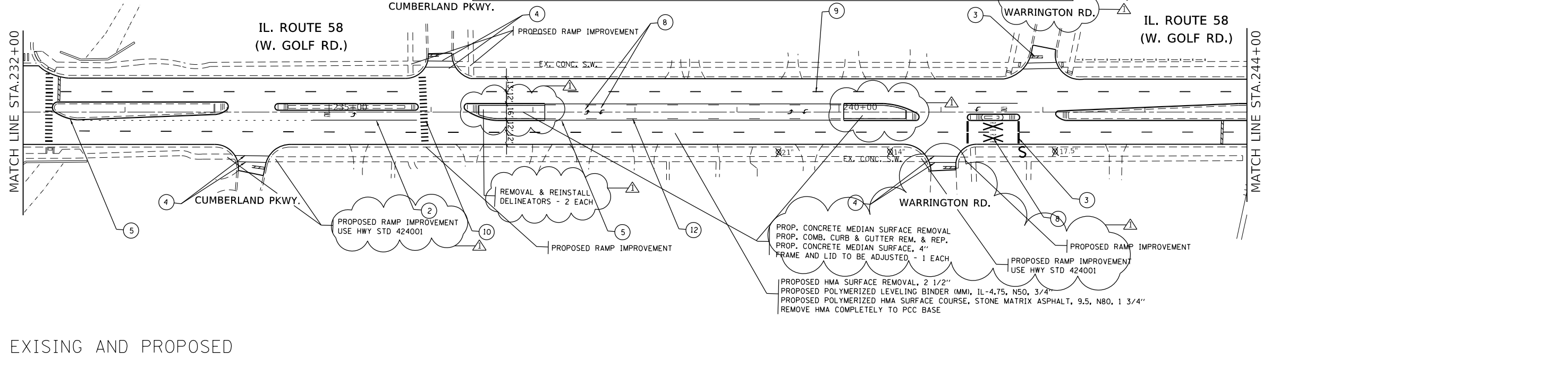
EXISTING AND PROPOSED

LANDSCAPING LEGEND

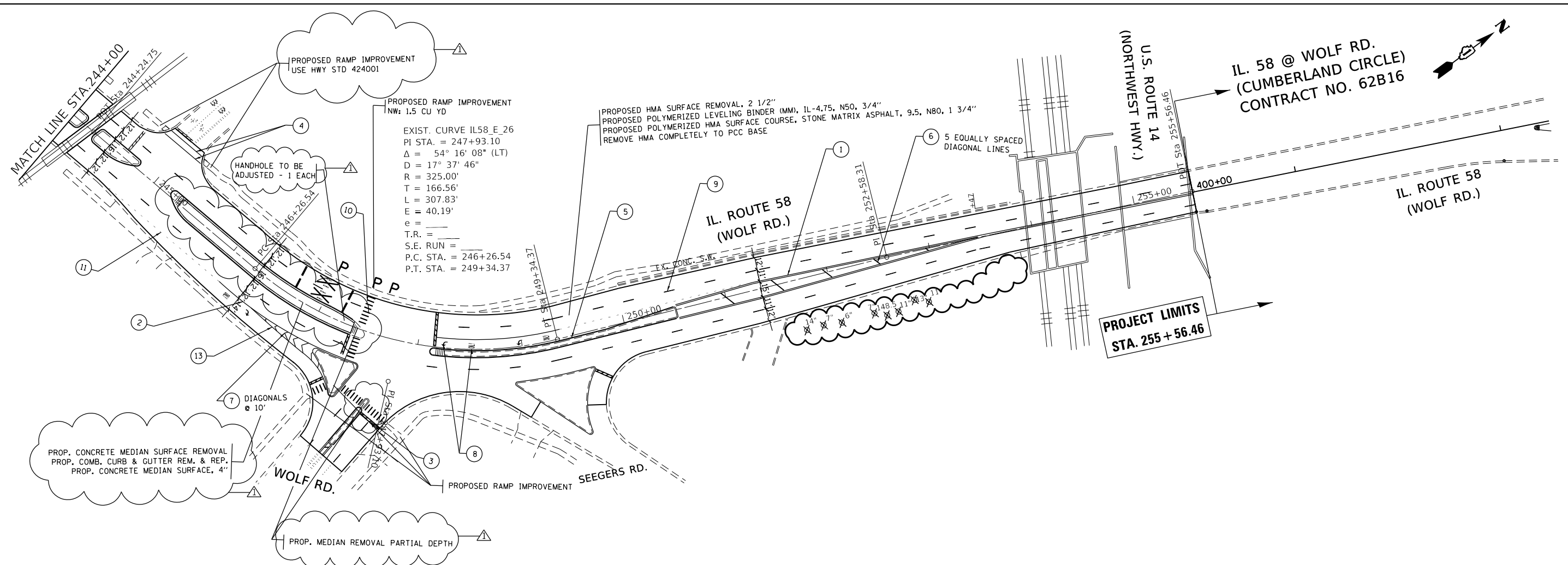
- X TREE REMOVAL
- ☁ SELECTIVE CLEARING
- L TREE LIMB REMOVAL
- P TREE PRUNING
- S STUMP REMOVAL

PAVEMENT MARKING LEGEND

① THERMOPLASTIC PAVEMENT MARKING, 4" DOUBLE SOLID YELLOW CENTERLINE, 2 @ 11" C-C (TYP.)	⑧ THERMOPLASTIC PAVEMENT MARKING, LETTERS & SYMBOLS, SOLID WHITE (TYP.)
② THERMOPLASTIC PAVEMENT MARKING, 6" SOLID WHITE TURN LANE (TYP.)	⑨ THERMOPLASTIC PAVEMENT MARKING, 4" SKIP DASH WHITE LANE LINE, 10' DASH - 30' SKIP (TYP.)
③ THERMOPLASTIC PAVEMENT MARKING, 24" SOLID WHITE STOP BAR (TYP.)	⑩ THERMOPLASTIC PAVEMENT MARKING, 12" SOLID WHITE LONGITUDINAL BAR, SPACED 3' C-C (TYP.)
④ THERMOPLASTIC PAVEMENT MARKING, 6" SOLID WHITE CROSSWALK LINE, 2 @ 6' C-C (TYP. UNLESS OTHERWISE NOTED)	⑪ THERMOPLASTIC PAVEMENT MARKING, 6" SKIP DASH WHITE TURN LANE, 2' LINE WITH 6' SPACE (TYP.)
⑤ THERMOPLASTIC PAVEMENT MARKING, 4" SINGLE SOLID YELLOW LINE (TYP.)	⑫ THERMOPLASTIC PAVEMENT MARKING, 4" SKIP DASH YELLOW LANE LINE, 10' DASH - 30' SKIP (TYP.)
⑥ THERMOPLASTIC PAVEMENT MARKING, 12" DIAGONAL SOLID YELLOW LINE @ 75' C-C (TYP.) UNLESS SPECIFIED OTHERWISE	⑬ THERMOPLASTIC PAVEMENT MARKING, 8" SOLID WHITE CORE LINE (TYP.)
⑦ THERMOPLASTIC PAVEMENT MARKING, 12" DIAGONAL SOLID WHITE LINE @ 75' C-C (TYP.) UNLESS SPECIFIED OTHERWISE	⑭ THERMOPLASTIC PAVEMENT MARKING, 6" SKIP DASH WHITE TURN LANE, 3' LINE WITH 9' SPACE (TYP.)



STATE OF ILLINOIS DEPARTMENT OF TRANSPORTATION				EXISTING AND PROPOSED ROADWAY PLANS IL. ROUTE 58 (GOLF RD.) (W/O MEIJER RD. TO BROADWAY ST.)				F.A.P. RTE.	SECTION	COUNTY	TOTAL SHEETS	SHEET NO.
USER NAME = kalorm DESIGNED - DRAWN - PLOT SCALE = 100,0000' / in. PLOT DATE = 4/16/2019				DESIGNED - DRAWN - CHECKED - DATE -				339	2018-078-R5	COOK	56	26
REVISED - RK 04/16/2019 REVISED - REVISED - REVISED -				SCALE: 1"= 50' SHEET OF SHEETS STA. TO STA.				CONTRACT NO. 62H12 ILLINOIS FED. AID PROJECT				



LANDSCAPING LEGEND

	TREE REMOVAL
	SELECTIVE CLEARING
	TREE LIMB REMOVAL
	TREE PRUNING
	STUMP REMOVAL

PAVEMENT MARKING LEGEND

①	THERMOPLASTIC PAVEMENT MARKING, 4" DOUBLE SOLID YELLOW CENTERLINE, 2 @ 11" C-C (TYP.)	⑧	THERMOPLASTIC PAVEMENT MARKING, LETTERS & SYMBOLS, SOLID WHITE (TYP.)
②	THERMOPLASTIC PAVEMENT MARKING, 6" SOLID WHITE TURN LANE (TYP.)	⑨	THERMOPLASTIC PAVEMENT MARKING, 4" SKIP DASH WHITE LANE LINE, 10' DASH - 30' SKIP (TYP.)
③	THERMOPLASTIC PAVEMENT MARKING, 24" SOLID WHITE STOP BAR (TYP.)	⑩	THERMOPLASTIC PAVEMENT MARKING, 12" SOLID WHITE LONGITUDINAL BAR, SPACED 3' C-C (TYP.)
④	THERMOPLASTIC PAVEMENT MARKING, 6" SOLID WHITE CROSSWALK LINE, 2 @ 6' C-C (TYP. UNLESS OTHERWISE NOTED)	⑪	THERMOPLASTIC PAVEMENT MARKING, 6" SKIP DASH WHITE TURN LANE, 2' LINE WITH 6' SPACE (TYP.)
⑤	THERMOPLASTIC PAVEMENT MARKING, 4" SINGLE SOLID YELLOW LINE (TYP.)	⑫	THERMOPLASTIC PAVEMENT MARKING, 4" SKIP DASH YELLOW LANE LINE, 10' DASH - 30' SKIP (TYP.)
⑥	THERMOPLASTIC PAVEMENT MARKING, 12" DIAGONAL SOLID YELLOW LINE @ 75' C-C (TYP.) UNLESS SPECIFIED OTHERWISE	⑬	THERMOPLASTIC PAVEMENT MARKING, 8" SOLID WHITE CORE LINE (TYP.)
⑦	THERMOPLASTIC PAVEMENT MARKING, 12" DIAGONAL SOLID WHITE LINE @ 75' C-C (TYP.) UNLESS SPECIFIED OTHERWISE	⑭	THERMOPLASTIC PAVEMENT MARKING, 6" SKIP DASH WHITE TURN LANE, 3' LINE WITH 9' SPACE (TYP.)

EXISTING AND PROPOSED

MODEL: Default
 FILE: h:\m\c\proj\pub\room.dwg\illinois.gov\p\w\dot\Documents\DOT_Offices\District_1\Projects\ID 100819\Cadd\Drawings\ID 100819_sht-e-lan.dwg

USER NAME = kalorm	DESIGNED -	REVISED - RK 04/12/2019
PLOT SCALE = 100,0000' / in.	DRAWN -	REVISED -
PLOT DATE = 4/11/2019	CHECKED -	REVISED -
	DATE -	REVISED -

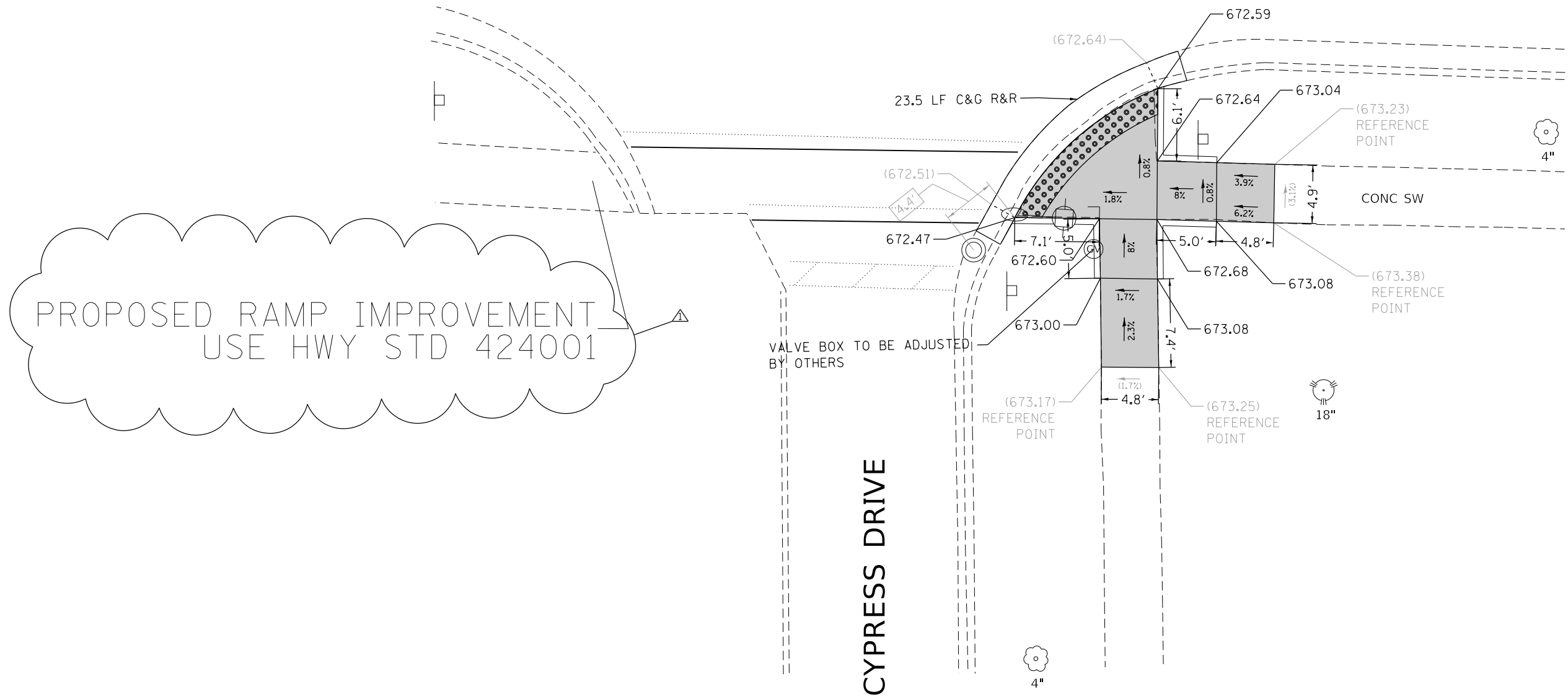
**STATE OF ILLINOIS
DEPARTMENT OF TRANSPORTATION**

**EXISTING AND PROPOSED ROADWAY PLANS
IL. ROUTE 58 (GOLF RD.) (W/O MEIJER RD. TO BROADWAY ST.)**

SCALE: 1" = 50' SHEET OF SHEETS STA. TO STA.

F.A.P. RTE.	SECTION	COUNTY	TOTAL SHEETS	SHEET NO.
339	2018-078-R5	COOK	56	27
CONTRACT NO. 62H12				
ILLINOIS FED. AID PROJECT				

IL 58 (GOLF ROAD)



LEGEND

- xx.xx' EXISTING LENGTH
- () EXISTING ELEVATION/SLOPE

- PROPOSED SIDEWALK
- PROPOSED SIDE CURB
- SC TOP OF PROPOSED SIDE CURB

- CLASS D PATCH
- DETECTABLE WARNINGS
- SIDEWALK REMOVAL REPLACE W/TOPSOIL & SOD

MODEL: Default
 FILE: h:\mhc\p\pub\harcam\dat\illinois\dot\Documents\DOT_Offices\Illinet\1\Projects\100819\CADD\Data\Design\100819_sht-detail.dgn

USER NAME = kalorm	DESIGNED -	REVISED - RK 03/15/2019
PLOT SCALE = 10.0000' / in.	DRAWN -	REVISED - RK 4/12/2019
PLOT DATE = 4/12/2019	CHECKED -	REVISED -
	DATE -	REVISED -

STATE OF ILLINOIS
DEPARTMENT OF TRANSPORTATION

SIDEWALK DETAIL PLAN
58 (GOLF RD.) - (W/O MEIJER RD. TO BROADWAY ST.)

SCALE: SHEET OF SHEETS STA. TO STA.

F.A.P. RTE.	SECTION	COUNTY	TOTAL SHEETS	SHEET NO.
339	2018-078-R5	COOK	56	27R
CONTRACT NO. 62H12				
ILLINOIS FED. AID PROJECT				