

INDEX OF SHEETS
SEE SHEET NO. 2

DESIGN DESIGNATION (IL 40)

OTHER PRINCIPAL ARTERIAL
2017 ADT = 12900
MU = 150
SU = 325

STATE OF ILLINOIS
DEPARTMENT OF TRANSPORTATION

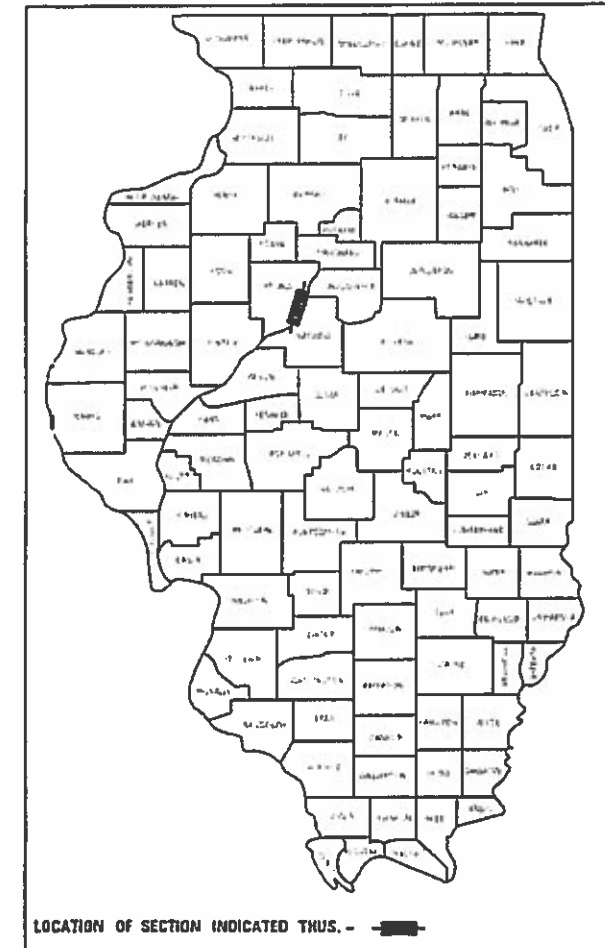
PROPOSED
HIGHWAY PLANS

FAP ROUTE 404 (IL 40)
SECTION (63-1)RS;(43-1,124)PP
PROJECT NHPP-6V38(342)
3P
PEORIA COUNTY

C-94-013-18

F.A.P. SHEET NO.	SECTION	COUNTY	TOTAL SHEETS	SHEET NO.
404	(63-1)RS;(43-1,124)PP	PEORIA	* 88	1
			CONTRACT NO. 68D98	

* 88 + 1 = 89 TOTAL SHEETS
D-94-011-18



PROJECT DESCRIPTION: THIS PROJECT CONSISTS OF SURFACE MAINTENANCE ON IL 40 (WILLIAM KUMPF BLVD., PERRY AVE., & GLENDALE AVE.). ITEMS INCLUDED IN THE SCOPE OF WORK ARE PAVEMENT PATCHING, HMA SURFACE REMOVAL, HMA SURFACE COURSE, AND THE CONSTRUCTION OF ADA RAMPS AT VARIOUS LOCATIONS.

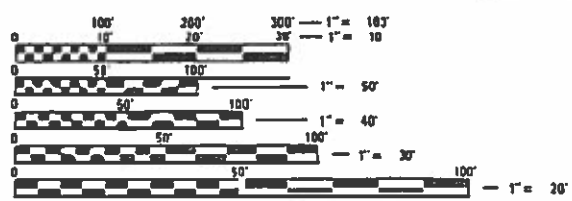
STATE OF ILLINOIS
DEPARTMENT OF TRANSPORTATION

SUBMITTED January 31, 2019
Kensie A. Barnett REGION THREE ENGINEER

March 22, 2019
Paul J. Chaf ENGINEER OF DESIGN AND ENVIRONMENT

March 29, 2019
Paul J. Chaf DIRECTOR OF HIGHWAYS PROJECT IMPLEMENTATION

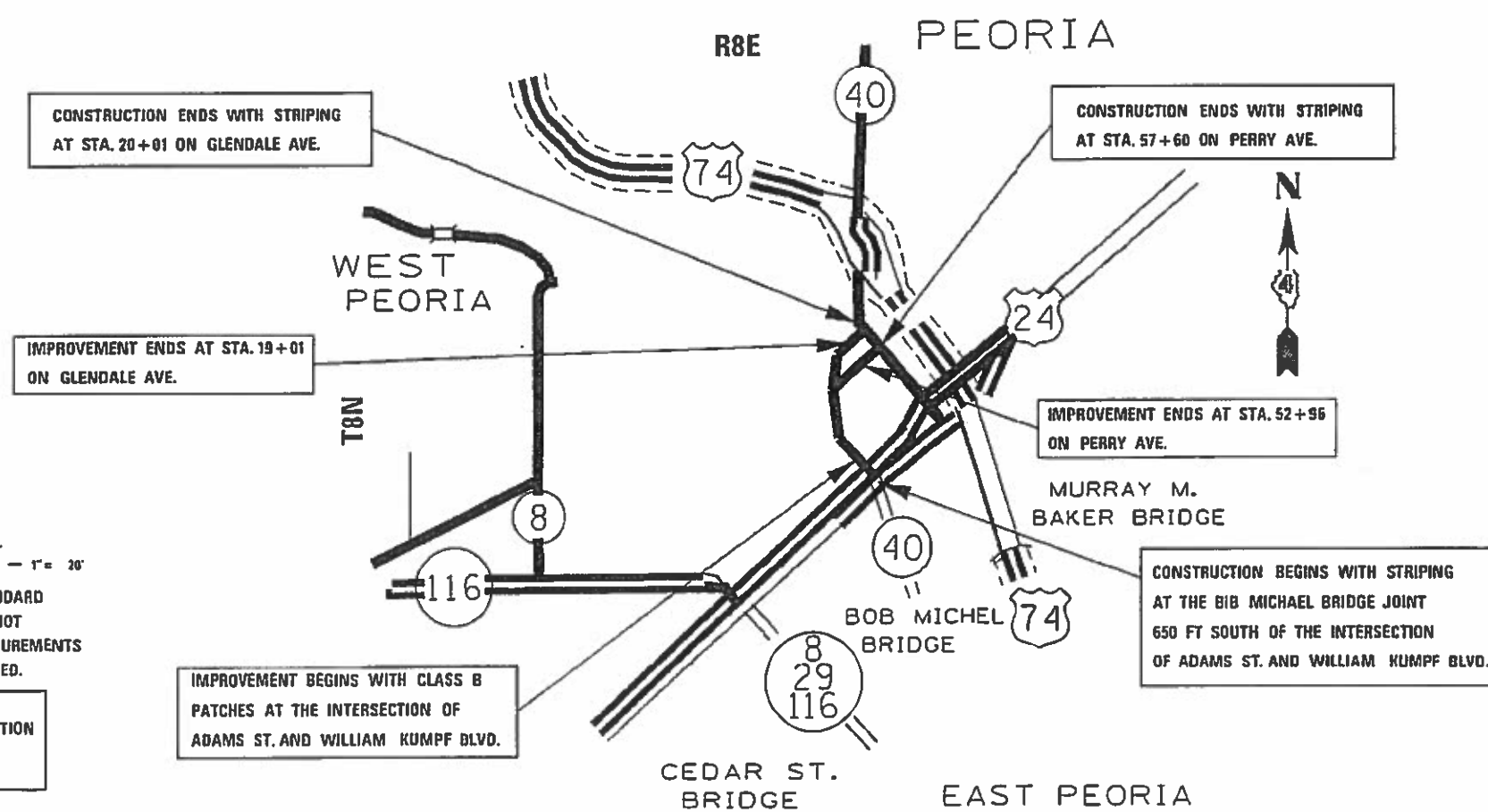
PRINTED BY THE AUTHORITY
OF THE STATE OF ILLINOIS



FULL SIZE PLANS HAVE BEEN PREPARED USING STANDARD ENGINEERING SCALES. REDUCED SIZED PLANS WILL NOT CONFORM TO STANDARD SCALES. IN MAKING MEASUREMENTS ON REDUCED PLANS, THE ABOVE SCALES MAY BE USED.

J.U.L.I.E.
JOINT UTILITY LOCATION INFORMATION FOR EXCAVATION
1-800-892-0123
DR 811

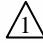
PROJECT ENGINEER: RICH DOTSON
PROJECT MANAGER: KEVIN HORST\JOSH JOCHUMS
CONTRACT NO. 035535-00D
CONTRACT NO. 68D98



GROSS LENGTH = 4,975 FT. = .942 MILE
NET LENGTH = 4,110 FT. = .778 MILE

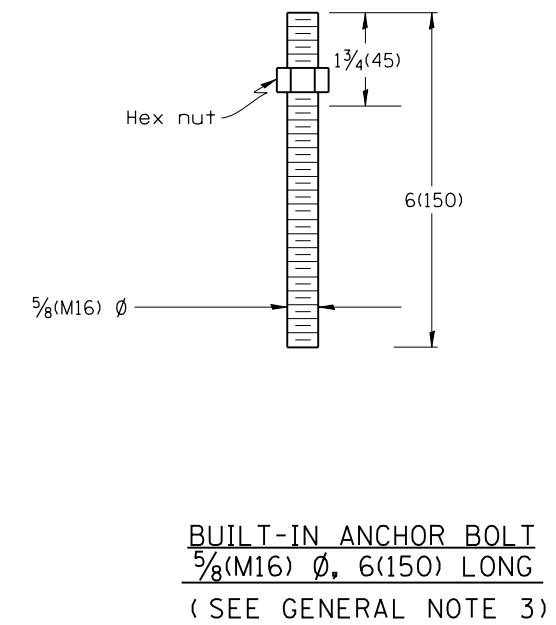
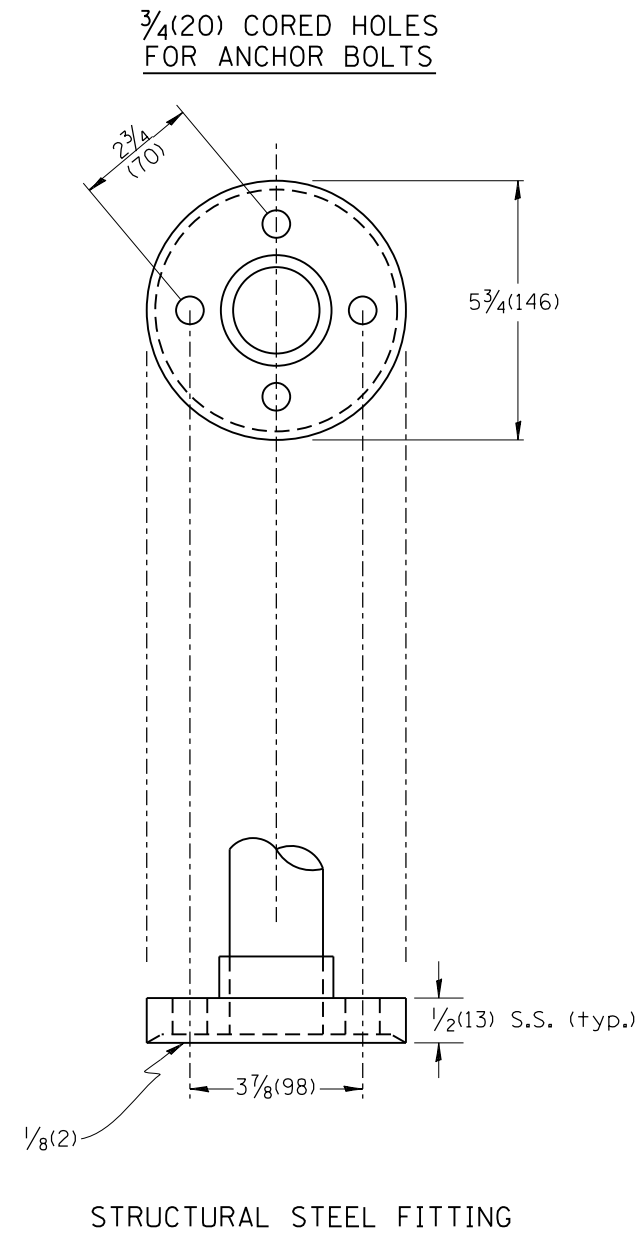
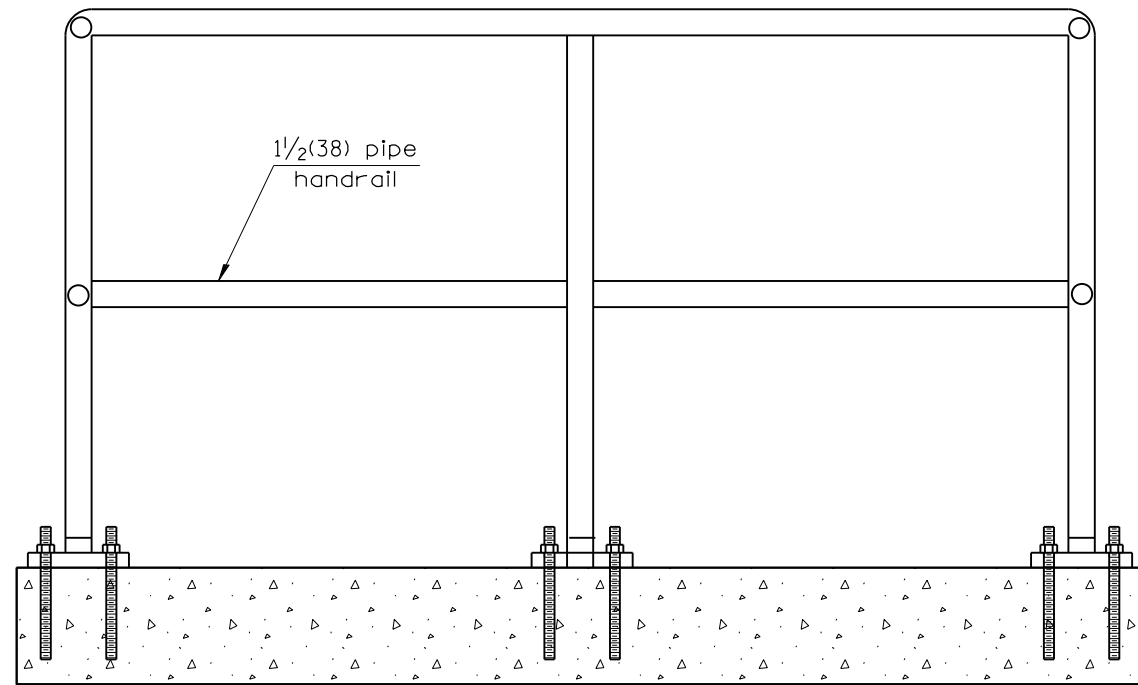
INDEX OF SHEETS

HIGHWAY STANDARDS

1.	COVER SHEET	
2.	INDEX OF SHEETS AND HIGHWAY STANDARDS	000001-07
3.	GENERAL NOTES, COMMITMENTS, AND PROJECT SPECIFIC NOTES	001001-02
4.	STATUS OF UTILITIES	001006
5-9.	SUMMARY OF QUANTITIES	420111-04
10-12.	TYPICALS	420701-03
13-15.	SCHEDULE OF QUANTITIES	424001-11
16.	LINE DIAGRAM	424006-04
17-18.	ALIGNMENT, TIES, AND BENCHMARKS	424021-05
19-20.	TRAFFIC CONTROL DETAILS AT GLENDALE AND HAMILTON	442101-09
21-23.	PAVING DETAILS	606001-07
24.	MANHOLE ADJUSTMENT DETAILS	606301-04
25-28.	ADA RAMP DETAILS: PERRY AVE. AND MAIN ST. EXISTING, REMOVAL, AND UTILITIES	701311-03
29-32.	ADA RAMP DETAILS: PERRY AVE. AND MAIN ST. PROPOSED PLAN	701601-09
33.	ADA RAMP DETAILS: PERRY AVE. AND MAIN ST. WEST QUAD METAL RAIL PLAN	701801-06
34.	ADA RAMP DETAILS: PERRY AVE. AND MAIN ST. WEST QUAD METAL RAIL ELEVATION	701901-08
35-37.	ADA RAMP DETAILS: GLENDALE AVE. AND MAIN ST. EXISTING, REMOVAL, AND UTILITIES	720001-01
38-40.	ADA RAMP DETAILS: GLENDALE AVE. AND MAIN ST. PROPOSED PLAN	720006-04
41-42.	ADA RAMP DETAILS: GLENDALE AVE. AND MAIN ST LANDSCAPING PLAN	728001-01
43-46.	ADA RAMP DETAILS: PERRY AVE. AND HAMILTON BLVD. EXISTING, REMOVAL, AND UTILITIES	780001-05
47-50.	ADA RAMP DETAILS: PERRY AVE. AND HAMILTON BLVD. PROPOSED PLAN	814001-03
51-53.	ADA RAMP DETAILS: PERRY AVE. AND HAMILTON BLVD. LANDSCAPING PLAN	857001-01
54-61.	PROPOSED TRAFFIC SIGNAL PLANS	862001-01
62-72.	PAVEMENT MARKING DETAILS	873001-02
73-76.	SIGNING DETAILS	876001-04
77.	MEDIAN DETAILS	878001-10
78-79.	CROSSWALK CLOSURE DETAILS	880006-01
80-88.	DISTRICT 4 CADD STANDARDS	
34A	DETAIL OF PIPE HANDRAIL FASTENING 	

MODEL - GLENDALE/PEORIA
FILE NAME - 31111

USER NAME = \$USERS	DESIGNED -	REVISED -	STATE OF ILLINOIS DEPARTMENT OF TRANSPORTATION	INDEX OF SHEETS AND HIGHWAY STANDARDS				F.A.P. RTE.	SECTION	COUNTY	TOTAL SHEETS	SHEET NO.		
PL#T SCALE = \$SCALE\$	DRAWN -	REVISED -		SCALE:	SHEET	OF	SHEETS	STA.	TO STA.	404	(63-1)RS(43-1.124)PP	PEORIA	88	2
PL#T DATE = \$DATES	CHECKED -	REVISED -		CONTRACT NO. 68D98										
	DATE -	REVISED -		ILLINOIS FED. AID PROJECT										



GENERAL NOTES:

1. Section 509 of the Standard Specifications shall apply.
2. Connection of railing to posts shall be made by continuous welding or with using standard pipe fitting.
3. The anchor bolt may be installed with epoxy. Anchor bolt holes shall be 3/4(20) in diameter and 5(125) deep. They shall be predrilled with an electric hammer drill to a depth of 4(100) prior to use of a pneumatic drill for the remaining 4(100). A two component encapsulated epoxy such as "Parabond" or an equivalent shall be used. Installation shall be according to Manufacturer's recommendations.
4. The pipe handrail and all hardware shall be galvanized.

All dimensions are in inches (millimeters) unless otherwise noted.

STATE OF ILLINOIS
DEPARTMENT OF TRANSPORTATION

DETAIL OF PIPE HANDRAIL FASTENING

NOT TO SCALE

F.A.P. RTE.	SECTION	COUNTY	TOTAL SHEETS	SHEET NO.
404	(63-1)RS(43-1,124)PP	PEORIA	88	34A
FED. ROAD DIST. NO.			ILLINOIS FED. AID PROJECT	
			CONTRACT NO. 68D98	