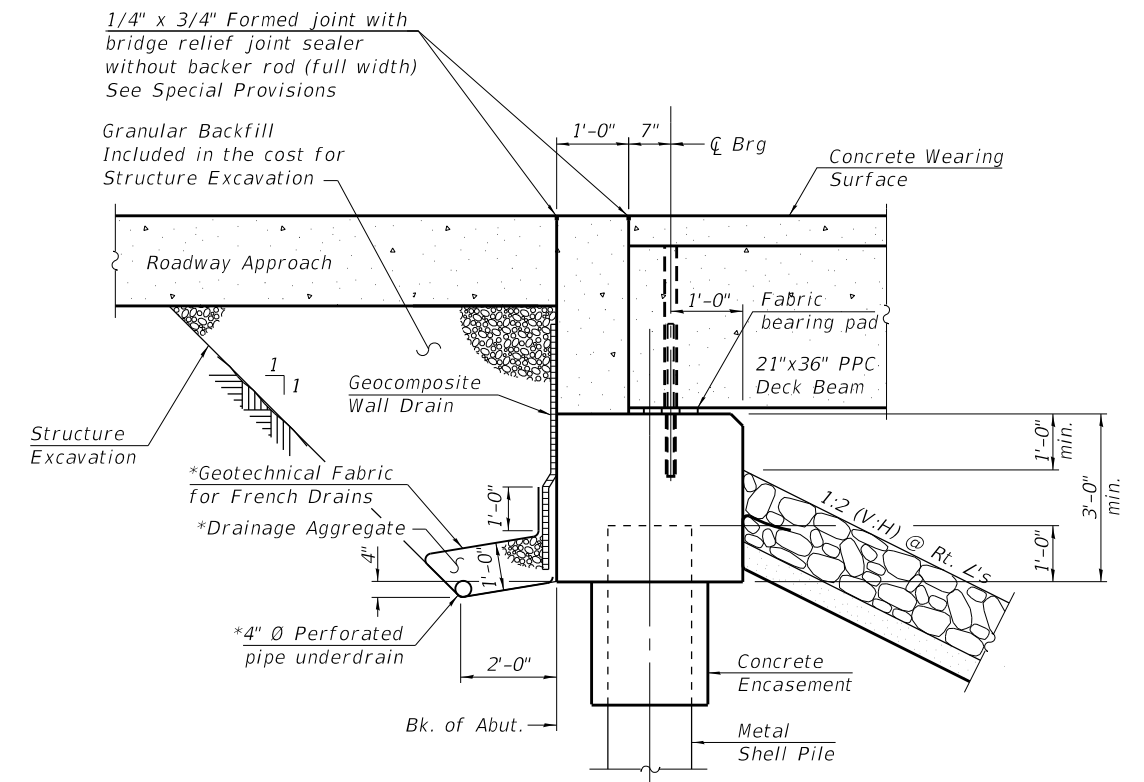




FILE NAME = SA\JUL160000-60914-004\Drawings\CAD\Micros-SSA\CAD\_Sheets\012345-SN-015-4213-002-00.dgn



**SECTION THRU ABUTMENT**  
(Horiz. dim. @ Rt. L's)

\*Included in the cost of Pipe Underdrains for Structures.  
(See Special Provisions)

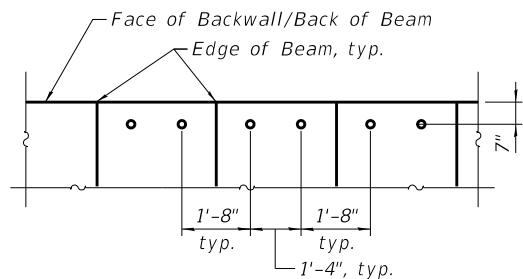
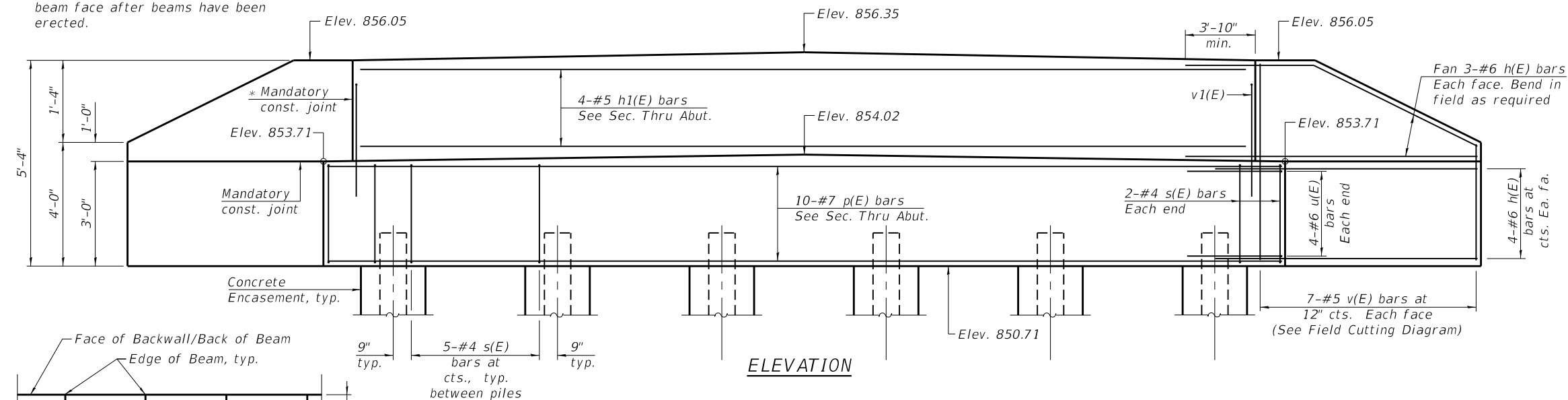
Note:  
All drainage system components shall extend 2'-0" from the end of each wingwall except an outlet pipe shall extend until intersecting with the side slopes. The pipes shall drain into concrete headwalls. (See Article 601.05 of the Standard Specifications and Highway Standard 601101).  
Provide a 1'-6" Riprap Berm on West and East Abutment.

**TOTAL BILL OF MATERIAL**

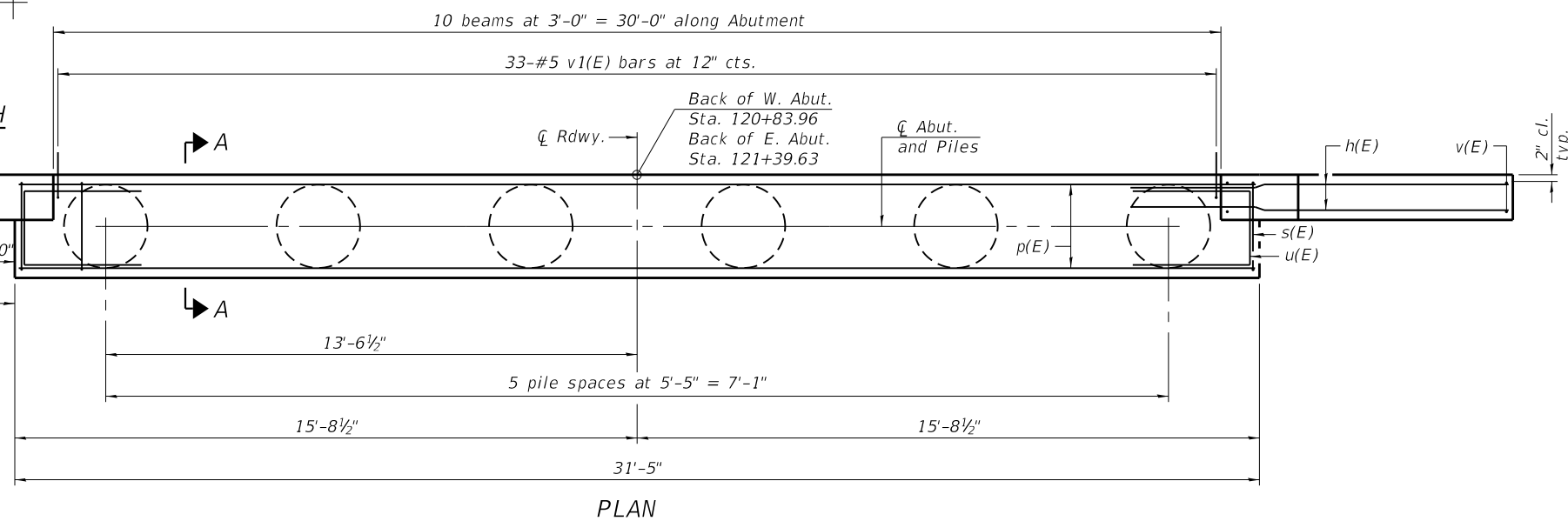
ITEM	UNIT	SUPER	SUB	TOTAL
Stone Riprap, Class A5	Sq Yd		484	484
Filter Fabric	Sq Yd		484	484
Removal of Existing Structures	Each	1		1
Structure Excavation	Cu Yd		67	67
Concrete Structures	Cu Yd		29	29
Bridge Deck Grooving	Sq Yd	174		174
Concrete Encasement	Cu Yd		7	7
Protective Coat	Sq Yd	186		186
Precast Prestressed Concrete Deck Beams (21" Depth)	Sq Ft	1,611		1,611
Reinforcement Bars, Epoxy Coated	Pound	2,370	3,650	6,020
Steel Railing, Type SM	Foot	108		108
Furnishing Metal Shell Piles 14" X 0.250"	Foot		360	360
Driving Piles	Foot		360	360
Test Pile Metal Shells	Each		2	2
Name Plates	Each	1		1
Geocomposite Wall Drain	Sq Yd		39	39
Concrete Wearing Surface, 5"	Sq Yd	179		179
Pipe Underdrains For Structures 4"	Foot		132	132



\* Cast top of wingwall flush with exterior beam face after beams have been erected.



DOWEL ROD LOCATION SKETCH



PLAN

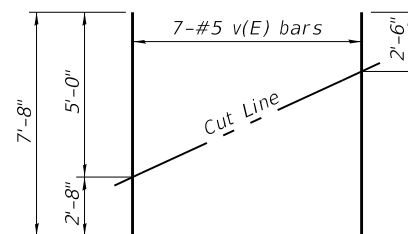
**PILE DATA**

**West Abutment**

Type: Metal Shell 14"Øx0.25"  
 Nominal Required Bearing: 413 Kips  
 Factored Resistance Available: 125 Kips  
 Est. Length: 35  
 No. Production Piles: 5  
 No. Test Piles: 1

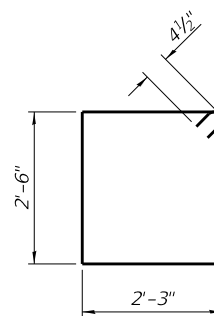
**East Abutment**

Type: Metal Shell 14"Øx0.25"  
 Nominal Required Bearing: 413 Kips  
 Factored Resistance Available: 123 Kips  
 Est. Length: 35  
 No. Production Piles: 5  
 No. Test Piles: 1

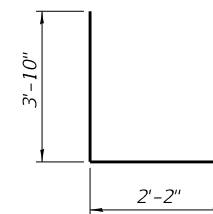


FIELD CUTTING DIAGRAM

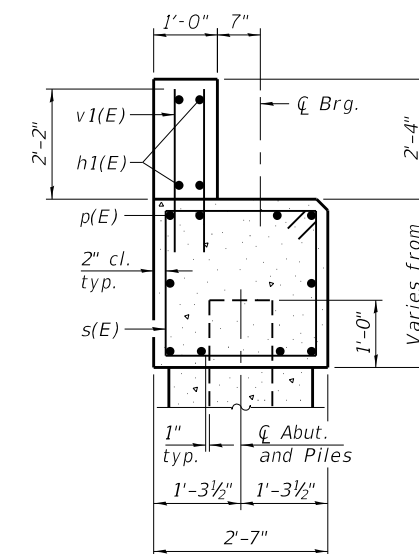
Order v(E) bars full length. Cut as shown and use remainder of bars in opposite face.



BAR s(E)



BAR u(E)



SECTION A-A

**BILL OF MATERIAL**

Two Abutments

Bar	No.	Size	Length	Shape
h(E)	40	#6	10'-10"	—
h1(E)	8	#5	31'-1"	—
p(E)	20	#7	31'-1"	—
s(E)	58	#4	10'-3"	□
u(E)	16	#6	9'-10"	□
v(E)	28	#5	7'-8"	—
v1(E)	132	#5	4'-5"	—
Structure Excavation		Cu. Yd.	67	
Concrete Structures		Cu. Yd.	29	
Reinforcement Bars, Epoxy Coated		Pound	3,650	
Furnishing Metal Shell Piles 14"x0.250"		Foot	360	
Driving Piles		Foot	360	
Test Pile Metal Shell		Each	2	
Concrete Encasement		Cu. Yd.	7	
Geocomposite Wall Drain		Sq. Yd.	39	

For details of piles and Concrete Encasement, see sheet 9 of 11.

FILE NAME = SA\JUL16000-60915160914\004\DR\enrgp\CAD\Micro\554\CAD\_Sheets\012345-SN-019-4213-008-ABUT.dgn

AD-1721-0

2-17-2017



1170 SOUTH HOUBOLT ROAD  
 JOLIET, ILLINOIS 60431  
 (815) 744-4200  
 IDFPR NO. 184-001273

USER NAME =	brlanf	DESIGNED -	MJD	REVISED -	4/12/2019 M.J.D.
CHECKED -	BRL	CHECKED -	AJS	REVISED -	
PLOT SCALE =		DRAWN -	BJF	REVISED -	
PLOT DATE =	4/12/2019	CHECKED -	AJS	REVISED -	

**DEKALB COUNTY**  
**DIVISION OF DEPARTMENT OF TRANSPORTATION**

**ABUTMENT**  
**STRUCTURE NO. 019-4213**  
 SHEET NO. 8 OF 11 SHEETS

TR	SECTION	COUNTY	TOTAL SHEETS	SHEET NO.
61	14-06122-00-BR	DEKALB	38	24
CONTRACT NO. 87689				

ILLINOIS FED. AID PROJECT