

**INDEX OF SHEETS**

- 1 COVER SHEET
- 2 INDEX OF SHEETS, STATE STANDARDS, MIXTURE REQUIREMENT CHART, GENERAL NOTES, TRAFFIC CONTROL AND COMMITMENTS
- 3 SUMMARY OF QUANTITIES
- 4 TYPICAL SECTIONS
- 5-6 SCHEDULES OF QUANTITIES
- 7 DETAILED LOCATION MAP
- 8 JOINTS DETAILS

**HIGHWAY STANDARDS**

- 000001-08 STANDARD SYMBOLS, ABBREVIATIONS, AND PATTERNS
- 001001-02 AREAS OF REINFORCEMENT BARS
- 001006 DECIMAL OF AN INCH AND OF A FOOT
- 406201-01 MAILBOX TURNOUT
- 420001-10 PAVEMENT JOINTS
- 420701-03 PAVEMENT WELDED WIRE REINFORCEMENT
- 442101-09 CLASS B PATCHES
- 630001-13 STEEL PLATE BEAM GUARDRAIL
- 630101-11 STRONG POST GUARDRAIL ATTACHED TO CULVERT
- 630301-09 SHOULDER WIDENING FOR TYPE 1 (SPECIAL) GUARDRAIL TERMINALS
- 631011-10 TRAFFIC BARRIER TERMINAL, TYPE 2
- 642006-01 SHOULDER RUMBLE STRIPS, 8 IN.
- 701201-05 LANE CLOSURE, 2L, 2W, DAY ONLY, FOR SPEEDS ≥ 45 MPH
- ~~701206-05 LANE CLOSURE, 2L, 2W, NIGHT ONLY, FOR SPEEDS ≥ 45 MPH~~
- 701301-04 LANE CLOSURE, 2L, 2W, SHORT TIME OPERATIONS
- 701306-04 LANE CLOSURE, 2L, 2W, SLOW MOVING OPERATIONS DAY ONLY, FOR SPEEDS ≥ 45 MPH
- 701336-07 LANE CLOSURE, 2L, 2W, WORK AREAS IN SERIES, FOR SPEEDS > 45 MPH
- 701901-09 TRAFFIC CONTROL DEVICES
- 725001-01 OBJECT AND TERMINAL MARKERS
- 780001-05 TYPICAL PAVEMENT MARKINGS
- 781001-04 TYPICAL APPLICATIONS RAISED REFLECTIVE PAVEMENT MARKERS
- 782006-01 GUARDRAIL AND BARRIER WALL REFLECTOR MOUNTING DETAILS

**MIXTURE REQUIREMENT CHART**

MIXTURE USE	SURFACE	SHOULDER (surface)		
AC/PG	PG 64-22	PG 64-22		
DESIGN AIR VOIDS	4.0% @ Ndes=70	4.0% @ Ndes=30		
MIX COMPOSITION (Gradation)	IL 9.5	IL 9.5L		
FRICTION AGG	MIXTURE "D"			
QUALITY MGMT PROGRAM	QCP	QCQA		
MatTranDev Required?	yes	no		

**\*\* TOP LIFT SHOULDERS - DESIGN THIS MIX AT 2.0% VOIDS AND ADD ASPHALT TO REDUCE VOIDS TO 1.5%.**

NOTE: THE CONTRACTOR SHALL PERFORM PATCHING BEFORE HMA SURFACE REMOVAL.

NOTE: PLAN QUANTITIES FOR HOT-MIX ASPHALT ITEMS ARE CALCULATED USING A UNIT WEIGHT OF 112 LB/SQ YD/IN (59.8 KG/SQ M/25 MM THICKNESS).

**GENERAL NOTES**

1. MIXTURES FOR JOINTS, CRACKS, AND FLAGWAYS SHALL BE PAID FOR ACCORDING TO ARTICLE 109.04 OF THE STANDARD SPECIFICATIONS.
2. THE USE OF VIBRATORY ROLLERS IS PROHIBITED IN RESIDENTIAL AREAS. THIS DOES NOT RELIEVE THE CONTRACTOR OF DENSITY REQUIREMENTS FOR THE HMA PAVEMENT AS SPECIFIED IN THE APPROPRIATE SECTIONS OF THE STANDARD SPECIFICATIONS.
3. THE THICKNESS OF THE HOT-MIX ASPHALT MIXTURE SHOWN ON THE PLANS IS THE NOMINAL THICKNESS. DEVIATIONS FROM THE NOMINAL THICKNESS WILL BE PERMITTED WHEN SUCH DEVIATIONS OCCUR DUE TO IRREGULARITIES IN THE EXISTING SURFACE OR BASE ON WHICH THE HMA MIXTURE IS PLACED.
4. BEFORE STARTING ANY EXCAVATION, THE CONTRACTOR SHALL CALL "JULIE" (JOINT UTILITY LOCATION INFORMATION FOR EXCAVATION) AT (800) 892-0123 FOR FIELD LOCATIONS OF BURIED UTILITIES (48 HOURS NOTIFICATION IS REQUIRED).
5. ALL TEMPORARY PAVEMENT MARKINGS WILL BE PLACED IN SUCH A MANNER SO AS NOT TO INTERFERE WITH THE PLACEMENT OF PERMANENT PAVEMENT MARKINGS.
6. THE CONTRACTOR SHALL VERIFY ALL DIMENSIONS AND CONDITIONS IN THE FIELD PRIOR TO CONSTRUCTION AND ORDERING OF MATERIALS.
7. ALL SIDE ROADS AND ENTRANCES WILL REMAIN OPEN.
8. PROPOSED PAVEMENT MARKINGS SHALL MATCH EXISTING AS DIRECTED BY THE ENGINEER.
9. MTD CAN OPERATE IN AN UNLOADED CONDITION ON SN 095-2472, SN 095-2473, SN 095-2474, SN 095-2475 & SN 095-2476

**TRAFFIC CONTROL**

1. NO OVERNIGHT LANE CLOSURES WILL BE ALLOWED.
2. "ROAD CONSTRUCTION AHEAD" SIGNS SHALL BE PLACED AT THE BEGINNING AND END OF THE PROJECT PLUS THE INTERSECTING SIDE ROADS, AND WILL BE INCLUDED IN THE TRAFFIC CONTROL PAY ITEMS. ALL CONSTRUCTION SIGNS SHALL BE FLUORESCENT ORANGE. (48" X 48")

**COMMITMENTS**

NONE

△ REVISED 4-4-2024

△ REVISED 4-11-2024

REV. - MS

MODEL: D:\del\11... FILE NAME: J:\2023\9411\W031001\CAD\_Sheets\09-07\T11-411-000001.dgn



USER NAME = galsallani	DESIGNED - CT	REVISED -
	DRAWN - MC	REVISED -
PLOT SCALE = 2.000' / in.	CHECKED - TP	REVISED -
PLOT DATE = 2/1/2024	DATE - 11/28/2023	REVISED -

**STATE OF ILLINOIS  
DEPARTMENT OF TRANSPORTATION**

**INDEX OF SHEETS, STATE STANDARDS, MIXTURE REQUIREMENT CHART,  
GENERAL NOTES, TRAFFIC CONTROL AND COMMITMENTS**

SCALE: NONE SHEET 1 OF 1 SHEETS STA. TO STA.

F.A.P. RTE.	SECTION	COUNTY	TOTAL SHEETS	SHEET NO.
42	9-1RS-4	WASHINGTON	8	2
ILLINOIS   FED. AID PROJECT				

Long Section Number

CODE NO.	ITEM	UNIT	TOTAL QUANTITY	CONSTR. CODE		CODE NO.	ITEM	UNIT	TOTAL QUANTITY	CONSTR. CODE	
				80% FED 20% STATE ROADWAY	0005 RURAL					80% FED 20% STATE ROADWAY	0005 RURAL
40600290	BITUMINOUS MATERIALS (TACK COAT)	POUND	34940	34940		67000400	ENGINEER'S FIELD OFFICE, TYPE A	CAL MO	2	2	
40600370	LONGITUDINAL JOINT SEALANT	FOOT	57621	57621		67100100	MOBILIZATION	L SUM	1	1	
40600990	TEMPORARY RAMP	SQ YD	129	129		70100450	TRAFFIC CONTROL AND PROTECTION, STANDARD 701201	L SUM	1	1	
40604062	HOT-MIX ASPHALT SURFACE COURSE, IL-9.5, MIX "D", N70	TON	4037	4037		70100460	TRAFFIC CONTROL AND PROTECTION, STANDARD 701306	L SUM	1	1	
						<del>70100465</del>	<del>TRAFFIC CONTROL AND PROTECTION, STANDARD 701206</del>	<del>L SUM</del>	<del>1</del>	<del>1</del>	
44000155	HOT-MIX ASPHALT SURFACE REMOVAL, 1 1/2"	SQ YD	77646	77646		70100600	TRAFFIC CONTROL AND PROTECTION, STANDARD 701336	L SUM	1	1	
<del>44004250</del>	<del>PAVED SHOULDER REMOVAL</del>	<del>SQ YD</del>	<del>29582</del>	<del>29582</del>		70300100	SHORT TERM PAVEMENT MARKING	FOOT	8848	8848	
44200050	WELDED WIRE REINFORCEMENT	SQ YD	104	104		70300150	SHORT TERM PAVEMENT MARKING REMOVAL	SQ FT	2949	2949	
44201299	DOWEL BARS 1 1/2"	EACH	220	220		70300221	TEMPORARY PAVEMENT MARKING - LINE 4" - PAINT	FOOT	46658	46658	
44213200	SAW CUTS	FOOT	728	728		72501000	TERMINAL MARKER - DIRECT APPLIED	EACH	1	1	
44213204	TIE BARS 3/4"	EACH	28	28		78000400	THERMOPLASTIC PAVEMENT MARKING - LINE 6"	FOOT	46258	46258	
48203100	HOT-MIX ASPHALT SHOULDERS	TON	2485	2485		78100100	RAISED REFLECTIVE PAVEMENT MARKER	EACH	224	224	
* 63000001	STEEL PLATE BEAM GUARDRAIL, TYPE A, 6 FOOT POSTS	FOOT	100	100		78200005	GUARDRAIL REFLECTORS, TYPE A	EACH	4	4	
* 63000030	STRONG POST GUARDRAIL ATTACHED TO CULVERT	FOOT	12.5	12.5		78300200	RAISED REFLECTIVE PAVEMENT MARKER REMOVAL	EACH	223	223	
* 63100045	TRAFFIC BARRIER TERMINAL, TYPE 2	EACH	2	2		78300202	PAVEMENT MARKING REMOVAL - WATER BLASTING	SQ FT	15553	15553	
* 63100167	TRAFFIC BARRIER TERMINAL, TYPE 1 (SPECIAL) TANGENT	EACH	1	1		X4420682	CLASS B PATCHES, TYPE II, 10 INCH (SPECIAL)	SQ YD	69.3	69.3	
63200310	GUARDRAIL REMOVAL	FOOT	180	180		X4420683	CLASS B PATCHES, TYPE III, 10 INCH (SPECIAL)	SQ YD	48	48	
64200108	SHOULDER RUMBLE STRIPS, 8 INCH	FOOT	25973	25973		Ø Z0076600	TRAINEES	HOUR	1000	1000	
						Ø Z0076604	TRAINEES TRAINING PROGRAM GRADUATE	HOUR	1000	1000	
						Z0034105	MATERIAL TRANSFER DEVICE	TON	4037	4037	

\* SPECIALTY ITEMS

△ REVISED 4-11-2024

Ø 0042

MODEL - Detail  
FILE NAME - J:\2023\941100 3100\TAD\_Sheet\09-27\T1-sh-SC001.dgn



USER NAME = galsallani	DESIGNED - CT	REVISED -
PLOT SCALE = 2.000' / in.	DRAWN - MC	REVISED -
PLOT DATE = 2/1/2024	CHECKED - TP	REVISED -
	DATE - 11/28/2023	REVISED -

STATE OF ILLINOIS  
DEPARTMENT OF TRANSPORTATION

SUMMARY OF QUANTITIES

SCALE: NONE SHEET 1 OF 1 SHEETS STA. TO STA.

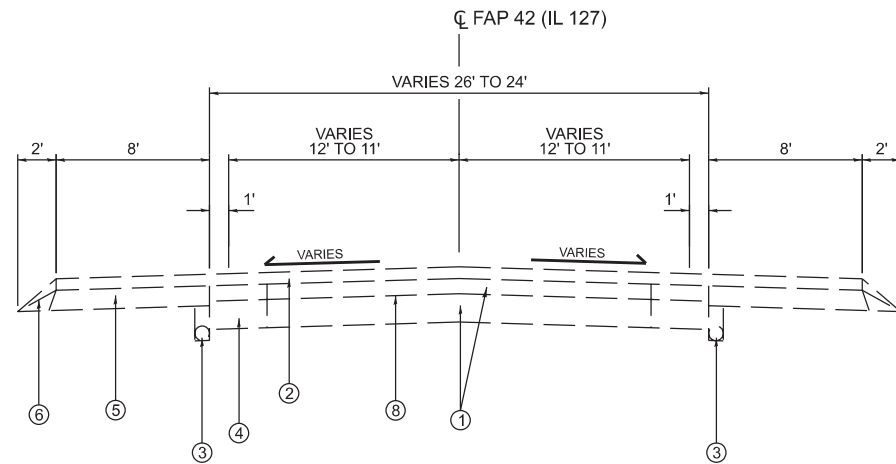
F.A.P. RTE.	SECTION	COUNTY	TOTAL SHEETS	SHEET NO.
42	9-1RS-4	WASHINGTON	8	3

ILLINOIS FED. AID PROJECT

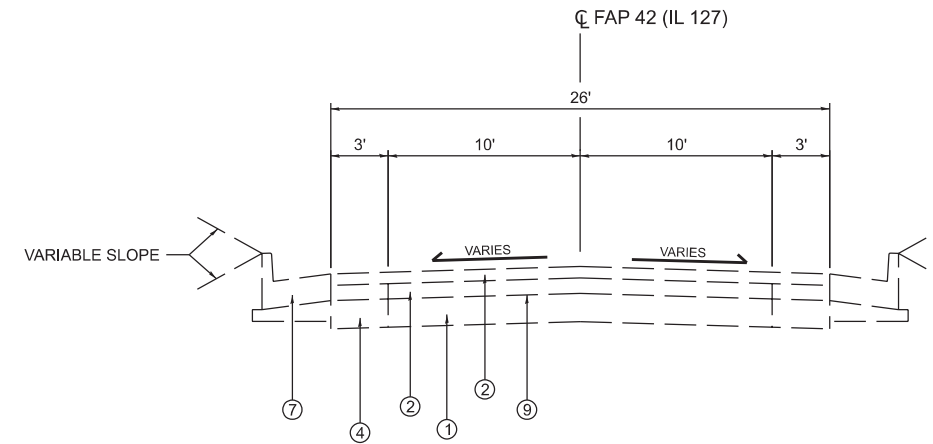
Long Section Number

△ 2

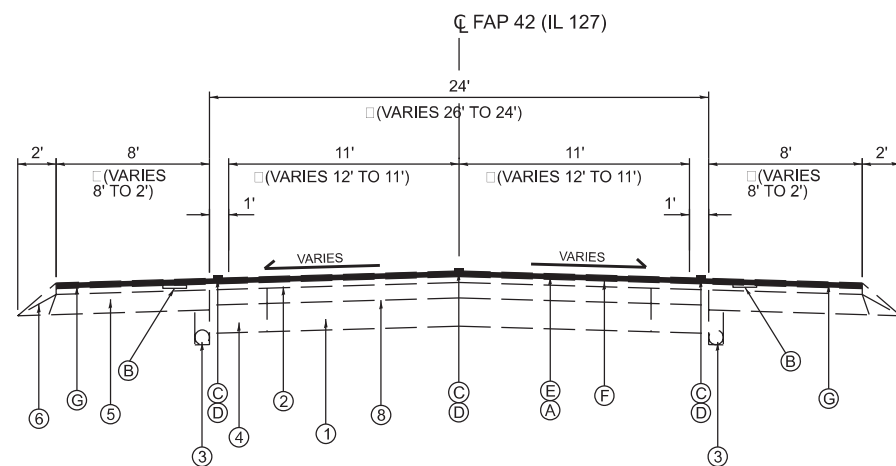
△ 2



**EXISTING TYPICAL SECTION**  
STA 748+33.00 TO STA 914+60.00

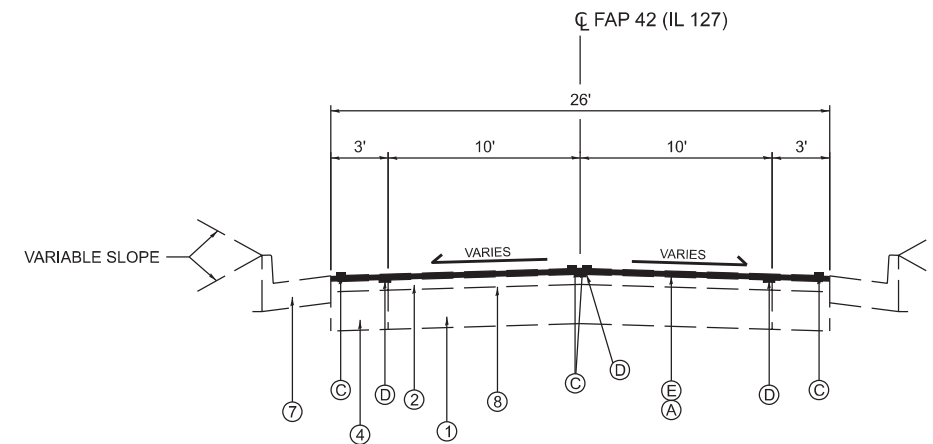


**EXISTING TYPICAL SECTION**  
STA 914+80.00 TO STA 927+50.00



**PROPOSED TYPICAL SECTION**  
STA 748+33.00 TO STA 914+60.00

**TRANSITION SECTION**  
STA 914+60.00 TO STA 914+80.00



**PROPOSED TYPICAL SECTION**  
STA 914+80.00 TO STA 927+50.00

**LEGEND**

- ① EXISTING PCC PAVEMENT (9-6 1/2-9)
- ② EXISTING HOT-MIX ASPHALT PAVEMENT 1 1/2" & varies
- ③ EXISTING UNDERDRAIN 4"
- ④ EXISTING HOT-MIX ASPHALT WIDENING 10"
- ⑤ EXISTING HOT-MIX ASPHALT SHOULDER 8"
- ⑥ EXISTING AGGREGATE SHOULDER, TYPE B
- ⑦ EXISTING COMBINATION CURB AND GUTTER TYPE B-6.24
- ⑧ EXISTING REINFORCEMENT
- (A) PROPOSED HOT-MIX ASPHALT SURFACE COURSE, IL-9.5, MIX "D", N70
- (B) PROPOSED SHOULDER RUMBLE STRIPS, 8 INCH
- (C) PROPOSED THERMOPLASTIC PAVEMENT MARKING - LINE 6"
- (D) PROPOSED LONGITUDINAL JOINT SEALANT
- (E) PROPOSED HOT-MIX ASPHALT SURFACE REMOVAL, 1 1/2"
- (F) PROPOSED BITUMINOUS MATERIALS (TACK COAT)
- (G) PROPOSED HOT-MIX ASPHALT SHOULDERS

△ REVISED SHEET 4-11-2024

MODEL: D:\info\... FILE NAME: ...



USER NAME = galsallert	DESIGNED - CT	REVISED -
PLOT SCALE = 10,000' / 1"	DRAWN - MC	REVISED -
PLOT DATE = 3/15/2024	CHECKED - TP	REVISED -
	DATE - 11/28/2023	REVISED -

**STATE OF ILLINOIS  
DEPARTMENT OF TRANSPORTATION**

**TYPICAL SECTIONS**

SCALE: NTS SHEET 1 OF 1 SHEETS STA. TO STA.

F.A.P. RTE.	SECTION	COUNTY	TOTAL SHEETS	SHEET NO.
42	9-TRS-4	WASHINGTON	8	4
CONTRACT NO. 76T61				

ILLINOIS FED. AID PROJECT

Long Section Number

HOT MIX ASPHALT RESURFACING SCHEDULE					
STATION	BITUMINOUS MATERIALS (TACK COAT)	H. M. A. SURFACE REMOVAL 1 1/2"	H. M. A. SURFACE COURSE, MIX "D" N70, 1 1/2"	H. M. A. SHOULDER	LONGITUDINAL JOINT SEALANT
	POUND	SQ. YD	TON	TON	FOOT
748+33 TO 914+60	33254	73898	3724	2483	53751
914+60 TO 914+80	35	79	5	2	60
914+80 TO 927+50	1651	3669	308		3810
<b>TOTAL</b>	<b>34940</b>	<b>77646</b>	<b>4037</b>	<b>2485</b>	<b>57621</b>

TEMPORARY RAMP	
STATION	SQ. YD
748+33	13
927+50	14
<b>SIDE ROADS</b>	
CONSERVATION DR	14
MISSISSIPPI RD	13
FILLMORE RD	14
CONNECTICUT RD	14
EAST PARK LN	17
EAST FAIRVIEW LN	15
MASONIC DR	15
<b>TOTAL</b>	<b>129</b>

PAVEMENT PATCHING											
Full Depth Patch #	Lane	Mile Marker	Length	Width	Dowel Bars (EACH)	Tie Bars (EACH)	Welded Wire Reinforcement (SQ YD)	Class B (Special), Type II (SQ YD)	Class B (Special), Type III (SQ YD)	Class B (Special), Type IV (SQ YD)	Saw Cuts (FOOT)
1	SB	0.20	6	12	20			8.0			48
2	NB	0.20	6	12	20			8.0			48
3	NB	1.20	21	12		14	28			28.0	78
4	SB	1.20	21	12		14	28			28.0	78
5	SB	1.50	12	12	20		16		16.0		60
6	NB	1.50	12	12	20		16		16.0		60
7	NB	1.50	6	12	20			8.0			48
8	NB	1.70	6	12	20			8.0			48
9	SB	1.70	8	12	20			10.7			52
10	NB	2.40	12	12	20		16		16.0		60
11	SB	2.40	8	12	20			10.7			52
12	NB	3.40	6	12	20			8.0			48
13	SB	3.40	6	12	20			8.0			48
<b>TOTAL</b>					<b>220.0</b>	<b>28.0</b>	<b>104.0</b>	<b>69.3</b>	<b>48.0</b>	<b>56.0</b>	<b>728.0</b>

2 REVISED SHEET 4-11-2024

MODEL: D:\info\...  
 FILE NAME: ...



USER NAME = galsallert	DESIGNED - CT	REVISED -
PLOT SCALE = 2,000' / in.	DRAWN - MC	REVISED -
PLOT DATE = 3/29/2024	CHECKED - TP	REVISED -
	DATE - 11/28/2028	REVISED -

STATE OF ILLINOIS  
DEPARTMENT OF TRANSPORTATION

SCHEDULE OF QUANTITIES

SCALE: NONE SHEET 1 OF 2 SHEETS STA. TO STA.

F.A.P. RTE.	SECTION	COUNTY	TOTAL SHEETS	SHEET NO.
42	9-1RS-4	WASHINGTON	8	5
CONTRACT NO. 76T61				
ILLINOIS FED. AID PROJECT				

Long Section Number

THERMOPLASTIC PAVEMENT MARKING							
STATION	SOLID WHITE 6"	SOLID YELLOW 6"	SKIP DASH YELLOW 6"	NO PASSING ZONE YELLOW 6" N.B.L	NO PASSING ZONE YELLOW 6" S.B.L	RAISED REFLECTIVE PAVEMENT MARKER REMOVAL	RAISED REFLECTIVE PAVEMENT MARKER DOUBLE AMBER
	LIN.FT.	LIN.FT.	LIN.FT.	LIN.FT.	LIN.FT.	EACH	EACH
748+33 TO 927+50	35337		4420			223	224
748+33 TO 759+57					1098		
758+09 TO 765+88				779			
767+68 TO 776+84					916		
882+80 TO 894+00				1120			
894+00 TO 904+30					1030		
912+95 TO 918+85				590			
918+85 TO 920+00		230					
920+00 TO 920+08				8			
920+08 TO 927+50					730		
TOTAL	35337	230	4420	2497	3774	223	224

SOLID WHITE 6" EDGE LINE OMISSIONS					
ROAD	STATION	TO	STATION	LENGTH	
CONSERVATION DR.	748+59		749+39	80	RT
MISSISSIPPI RD.	804+55		805+00	45	RT
FILLMORE RD.	818+80		819+32	52	LT
CONNECTICUT RD.	871+85		872+65	80	RT
EAST PARKLANE RD.	918+85		919+67	82	RT
FAIRVEIW LANE RD.	922+65		923+50	85	RT
MASONIC DR.	925+59		926+32	73	LT

SHOULDER RUMBLE STRIPS			
STATION	TO	STATION	FOOT
748+33 RT/LT		914+60 RT/LT	25973

GUARDRAIL SCHEDULE							
LOCATION	STEEL PLATE BEAM GUARDRAIL, TYPE A, 6 FOOT POSTS	STRONG POST GUARDRAIL ATTACHED TO CULVERT	TRAFFIC BARRIER TERMINAL, TYPE 2	TRAFFIC BARRIER TERMINAL, TYPE 1 (SPECIAL) TANGENT	GUARDRAIL REMOVAL	TERMINAL MARKER - DIRECT APPLIED	GUARDRAIL REFLECTORS, TYPE A
SOUTHBOUND SHOULDER APPROXIMATELY 1220 FEET SOUTH OF CONNECTICUT ROAD (REPLACE AT EQUIVALENT STATIONS)	FOOT	FOOT	EACH	EACH	FOOT	EACH	EACH
	100	12.5	2	1	180	1	4

NOTE: INSTALL TRAFFIC BARRIER TERMINAL, TYPE 2 ON BOTH ENDS OF SMALL RADIUS GUARDRAIL.

REVIS<sup>2</sup>ED SHEET 4-11-2024

MODEL: D:\info\... FILE NAME: ...



USER NAME = galsallert	DESIGNED - CT	REVISED -
	DRAWN - MC	REVISED -
PLOT SCALE = 2,000' / in.	CHECKED - TP	REVISED -
PLOT DATE = 3/15/2024	DATE - 11/28/2023	REVISED -

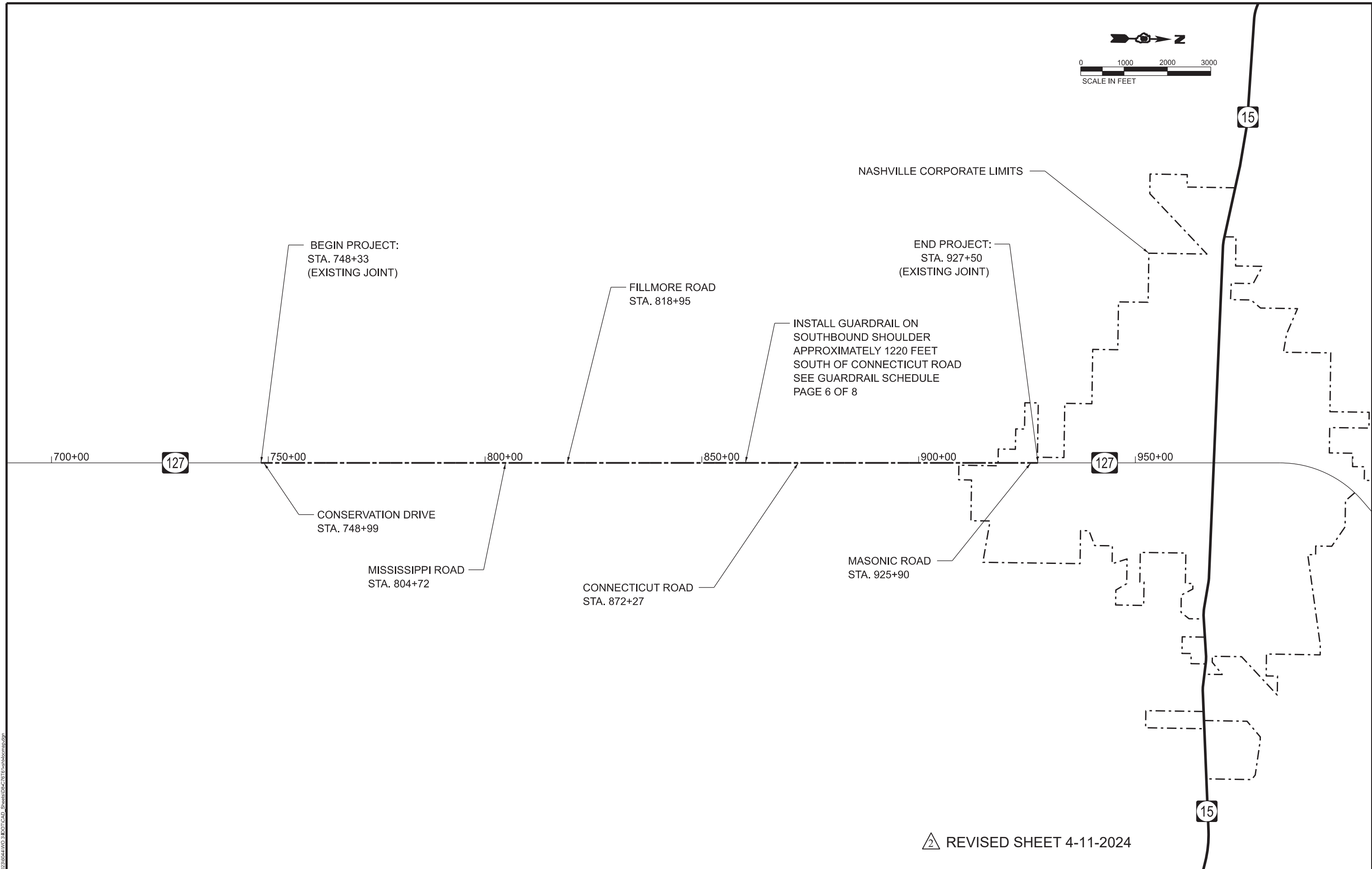
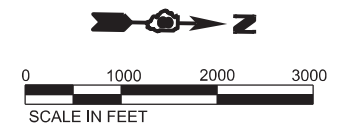
STATE OF ILLINOIS  
DEPARTMENT OF TRANSPORTATION

SCHEDULE OF QUANTITIES

SCALE: NONE SHEET 2 OF 2 SHEETS STA. TO STA.

F.A.P. RTE.	SECTION	COUNTY	TOTAL SHEETS	SHEET NO.
42	9-1RS-4	WASHINGTON	8	6
CONTRACT NO. 76T61				
ILLINOIS FED. AID PROJECT				

Long Section Number



REVISOR'S MARK: REVISED SHEET 4-11-2024

MODEL: D:\data\... FILE NAME: ...



USER NAME = galsallert	DESIGNED - CT	REVISED -
DRAWN - MC	REVISED -	
PLOT SCALE = 2000,000' / in.	CHECKED - TP	REVISED -
PLOT DATE = 3/15/2024	DATE - 11/28/2023	REVISED -

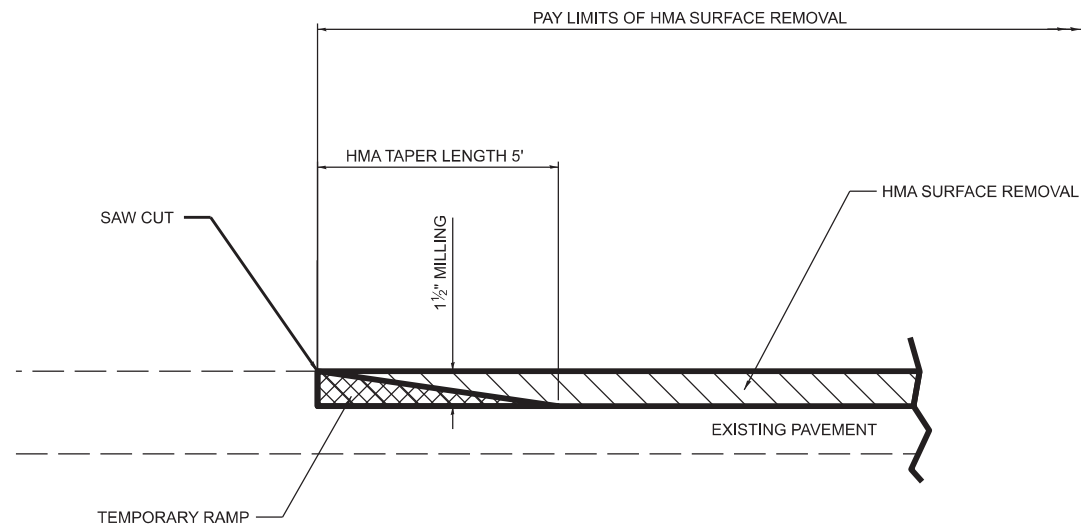
**STATE OF ILLINOIS  
DEPARTMENT OF TRANSPORTATION**

**DETAILED LOCATION MAP**

SCALE: 1" = 1000' SHEET 1 OF 1 SHEETS STA. TO STA.

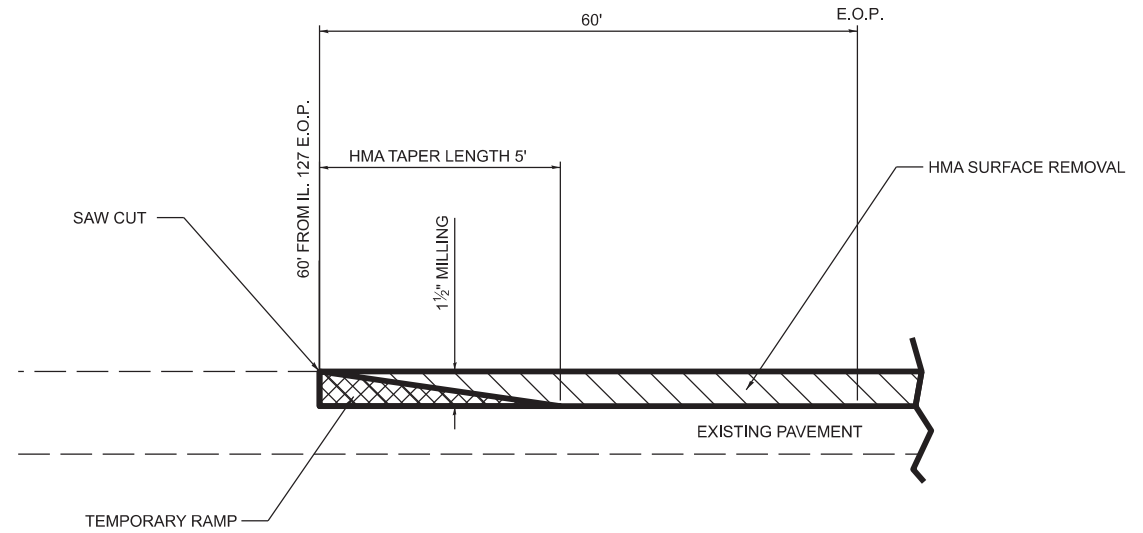
F.A.P. RTE.	SECTION	COUNTY	TOTAL SHEETS	SHEET NO.
42	9-1RS-4	WASHINGTON	8	7
CONTRACT NO. 76T61				
ILLINOIS FED. AID PROJECT				

Long Section Number



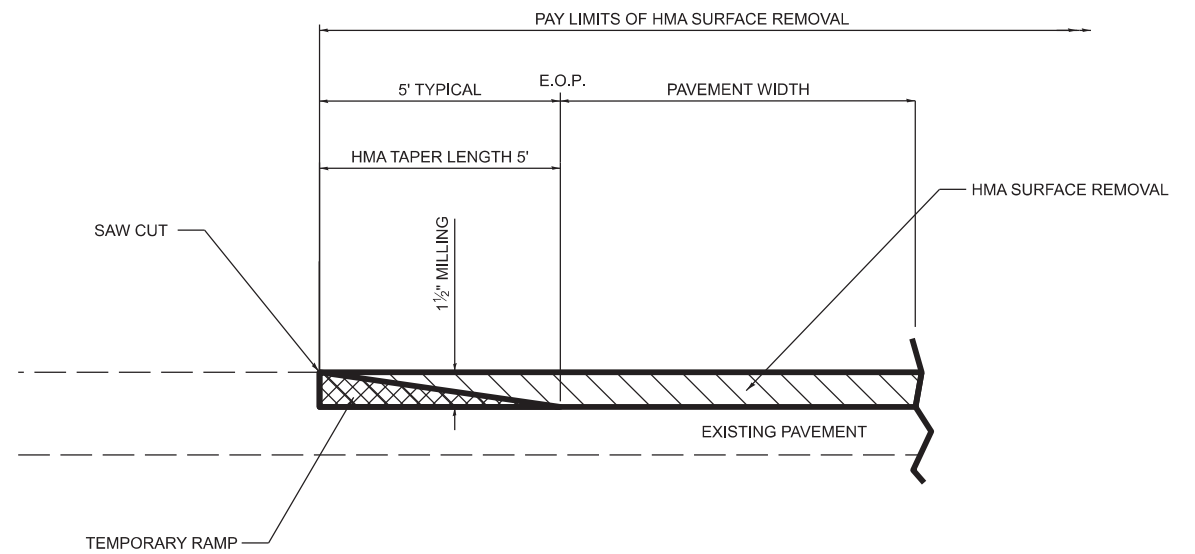
**PROJECT LIMITS JOINT DETAIL**

STA. 748+33  
STA. 927+50



**SIDE ROAD JOINT**

CONSERVATION ROAD



**SIDE ROAD JOINT**

ENTRANCE AND SIDE ROAD DETAIL  
TYPICAL

**GENERAL NOTES**

- A. THE TEMP. RAMP SHALL BE CONSTRUCTED IMMEDIATELY UPON REMOVAL OF THE EXISTING HMA SURFACE.

**BASIS OF PAYMENT**

- 1. THE SAW CUT SHALL BE INCLUDED IN THE UNIT COST FOR HMA SURFACE REMOVAL 1 1/2".
- 2. A TEMPORARY RAMP SHALL BE PLACED AND PAID FOR AS TEMPORARY RAMP.

2 REVISED SHEET 4-11-2024

MODEL: D:\info\... FILE NAME: ...



USER NAME = galsallert	DESIGNED - CT	REVISED -
PLOT SCALE = 10,000' / 1 in.	DRAWN - MC	REVISED -
PLOT DATE = 3/15/2024	CHECKED - TP	REVISED -
	DATE - 11/28/2023	REVISED -

STATE OF ILLINOIS  
DEPARTMENT OF TRANSPORTATION

**JOINTS DETAILS**

SCALE: NTS SHEET 1 OF 1 SHEETS STA. TO STA.

F.A.P. RTE.	SECTION	COUNTY	TOTAL SHEETS	SHEET NO.
42	9-1RS-4	WASHINGTON	8	8
CONTRACT NO. 76T61				
ILLINOIS FED. AID PROJECT				

Long Section Number