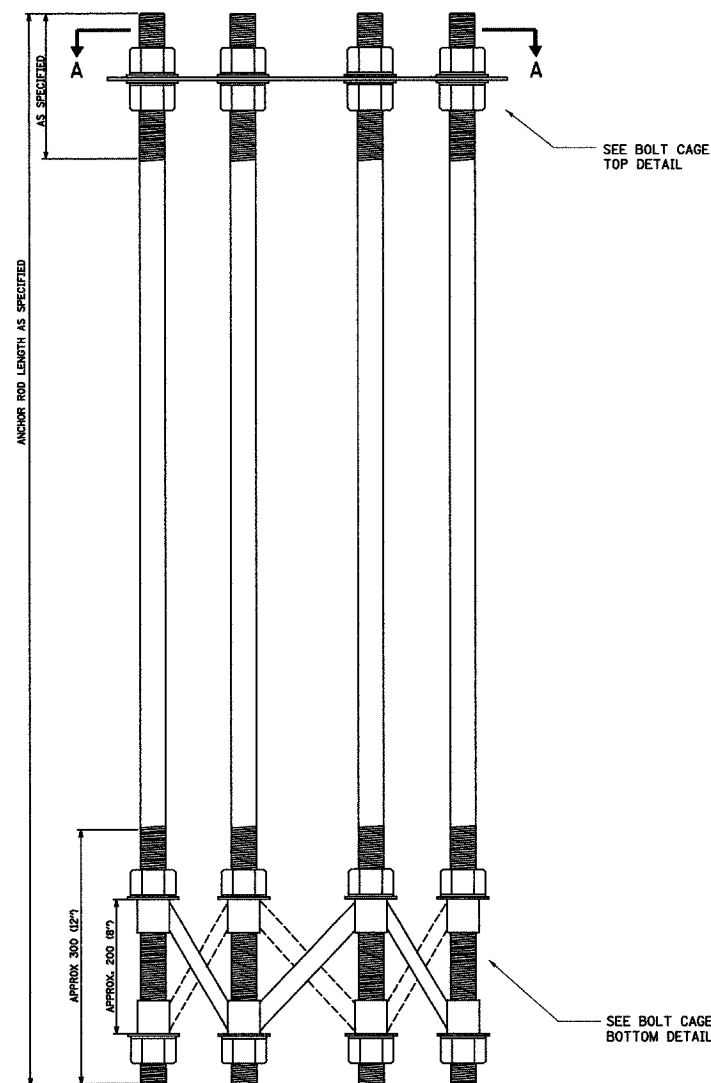


|                     |          |                  |              |           |
|---------------------|----------|------------------|--------------|-----------|
| F.A. RTE.           | SECTION  | COUNTY           | TOTAL SHEETS | SHEET NO. |
|                     |          |                  | 85           | 64        |
| STA.                |          | TO STA.          |              |           |
| FED. ROAD DIST. NO. | ILLINOIS | FED. AID PROJECT |              |           |

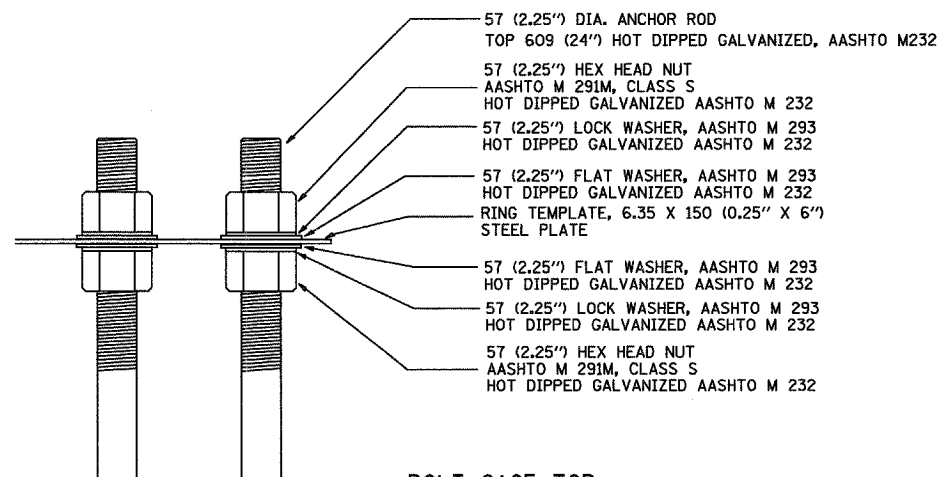
60A23

**NOTES**

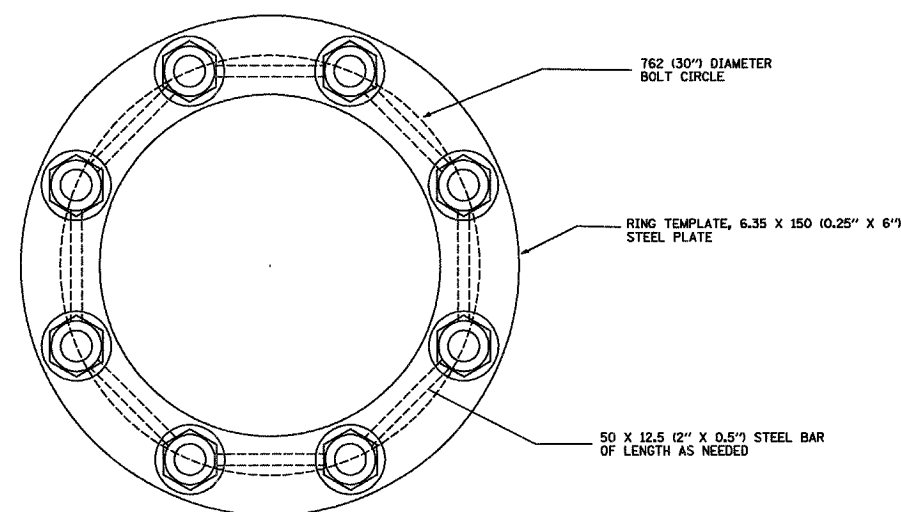
1. ALL DIMENSIONS IN MILLIMETERS (INCHES) UNLESS OTHERWISE SHOWN
2. ANCHOR RODS SHALL BE STRAIGHT AND SHALL BE ACCORDING TO AASHTO M 314 OR ASTM F1554, GRADE 725 (GRADE 105) AND GALVANIZED ACCORDING TO ARTICLE 1006.09.
3. ANCHOR ROD INFORMATION SHALL BE SUBMITTED FOR APPROVAL AND SHALL BE FULLY COORDINATED WITH TOWER MANUFACTURERS REQUIREMENTS.



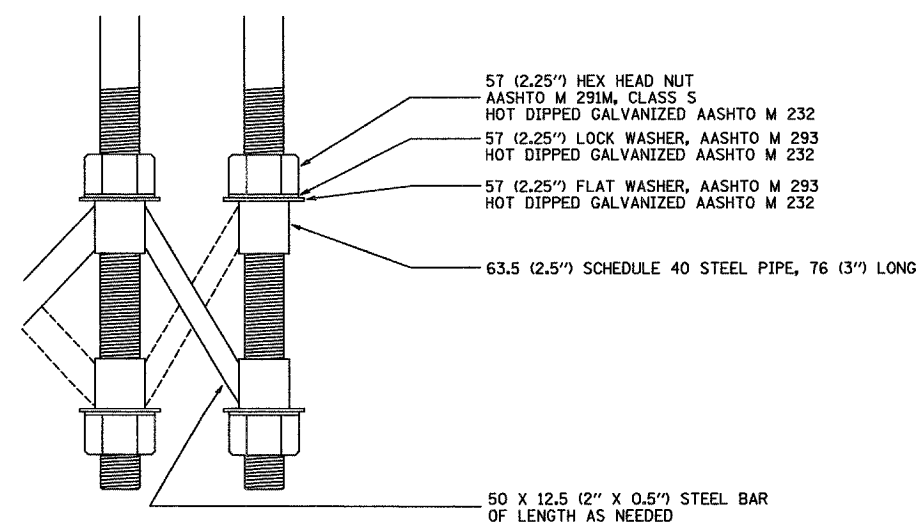
**ANCHOR BOLT CAGE**



**BOLT CAGE TOP**



**SECTION A-A**



**BOLT CAGE BOTTOM**

| REVISIONS |      |
|-----------|------|
| NAME      | DATE |
|           |      |
|           |      |
|           |      |
|           |      |
|           |      |
|           |      |
|           |      |
|           |      |
|           |      |
|           |      |

ILLINOIS DEPARTMENT OF TRANSPORTATION  
 HIGH MAST LIGHT TOWER  
 27m TO 36m (90FT TO 120FT)  
 FOUNDATION DETAIL  
 SHEET 2 OF 2

SCALE: VERT.  
 HORIZ.  
 DATE: 2/15/2006

DRAWN BY  
 CHECKED BY  
 BE08 (BE501)

REVISION DATE: 04/12/05