

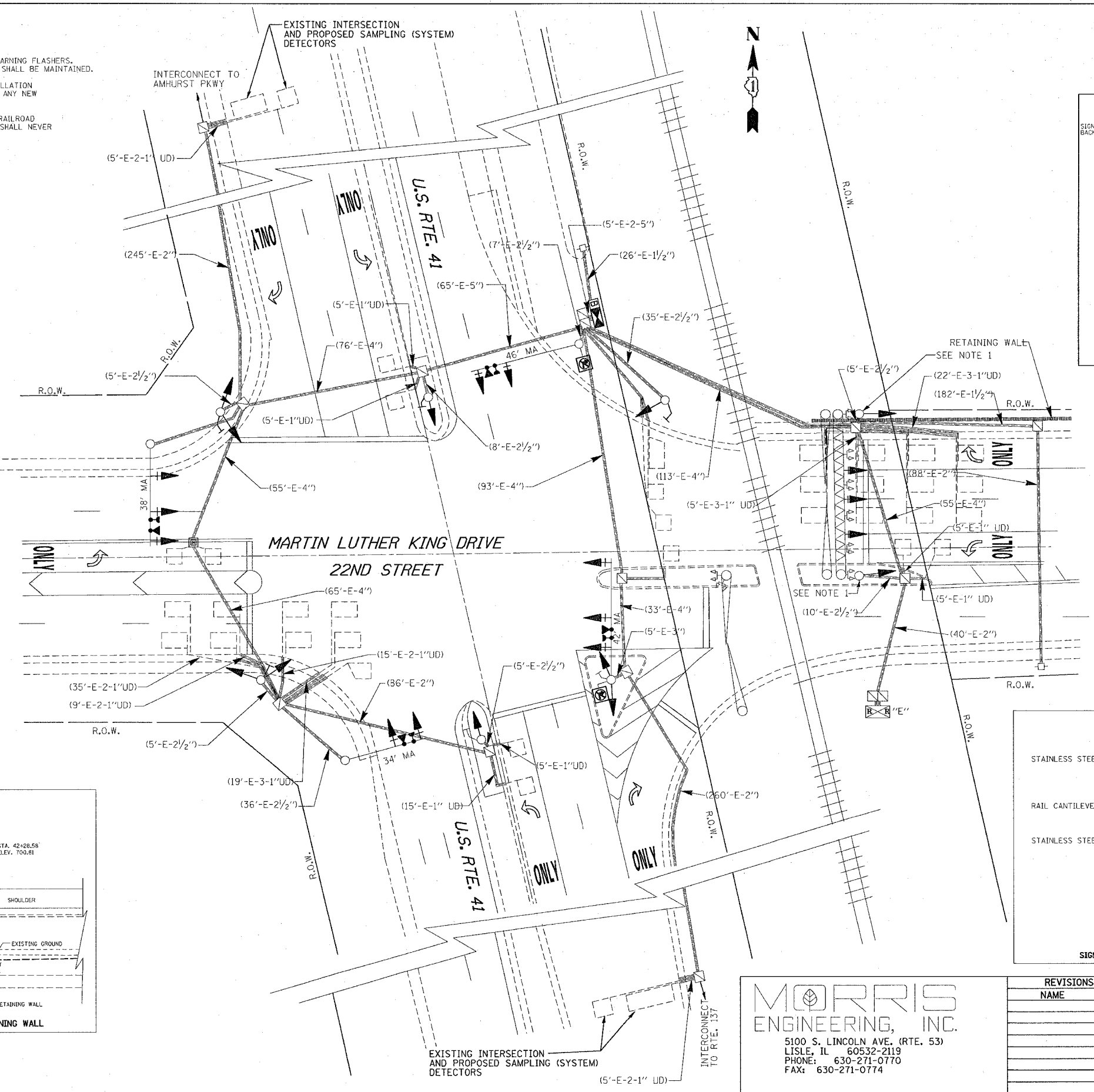
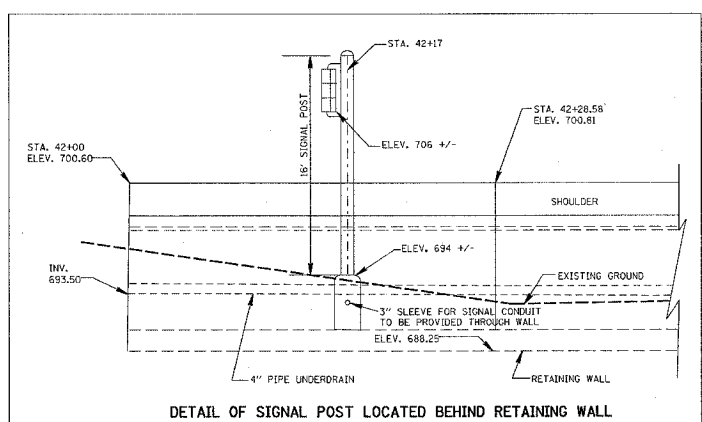
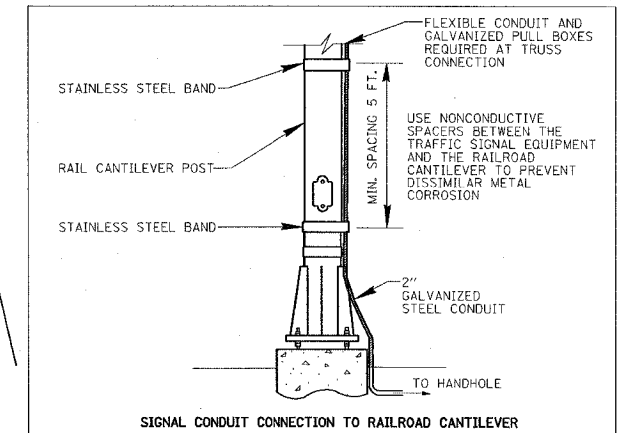
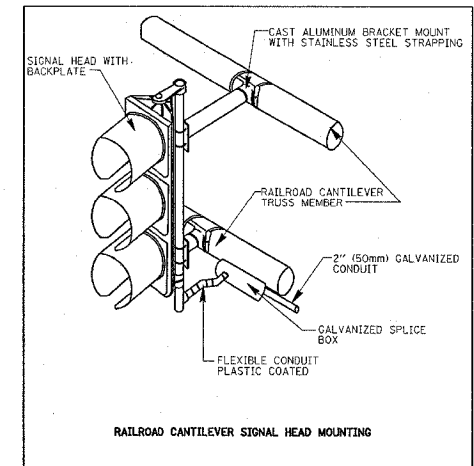
**TRAFFIC SIGNAL PLAN NOTES**

1. THE TRAFFIC SIGNAL POST AND SIGNAL HEAD SHALL NOT BLOCK RAILROAD WARNING FLASHERS. A HEIGHT OF 8 FT. FROM BOTTOM OF SIGNAL HOUSING TO PAVEMENT GRADE SHALL BE MAINTAINED.
2. THE SIGNAL CONTRACTOR SHALL COORDINATE UNIT DUCT AND CONDUIT INSTALLATION WITH THE ROADWAY CONTRACTOR SUCH THAT REMOVAL AND REPLACEMENT OF ANY NEW SHOULDER OR MEDIAN IS NECESSARY.
3. THE CONTRACTOR SHALL COORDINATE ALL WORK INVOLVING THE PERMANENT RAILROAD PREEMPTION SUCH THAT THE RAILROAD PREEMPTION FOR THE INTERSECTION SHALL NEVER BE OUT OF SERVICE.
4. ALL RAILROAD CROSSING EQUIPMENT TO BE INSTALLED BY OTHERS.
5. ALL EXISTING LOOP DETECTORS NOT SHOWN SHALL BE ABANDONED.

**TRAFFIC SIGNAL LEGEND**

CONTROLLER		
SERVICE INSTALLATION		
SIGNAL HEAD		
SIGNAL HEAD WITH BACKPLATE		
SIGNAL HEAD PEDESTRIAN		
SIGNAL POST		
MAST ARM ASSEMBLY AND POLE, STEEL		
MAST ARM ASSEMBLY AND POLE, ALUMINUM		
HANDHOLE		
HEAVY DUTY HANDHOLE		
DOUBLE HANDHOLE		
G.S. CONDUIT IN TRENCH OR PUSHED		
PEDESTRIAN PUSHBUTTON DETECTOR		
DETECTOR LOOP		
CAST IRON JUNCTION BOX		
COMMON TRENCH		
UNIT DUCT		
EMERGENCY VEHICLE SYSTEM DETECTOR		
CONFIRMATION BEACON		
SIGNAL HEAD OPTICALLY PROGRAMMED		
MICROWAVE VEHICLE SENSOR		
TELEPHONE CONNECTION		
ILLUMINATED SIGN, FIBER OPTIC "NO LEFT TURN"		
ILLUMINATED SIGN, FIBER OPTIC "NO RIGHT TURN"		
CONDUIT SPLICE		
WOOD POLE		
RACEWAY FOR MAGNETIC DETECTOR, TYPE I OR TYPE II		
VEHICLE DETECTOR, NON COMPENSATED MAGNETIC TYPE		
RAILROAD CONTROL CABINET		
UNINTERRUPTIBLE POWER SUPPLY (U.P.S.)		

F.A.P. RTE.	SECTION	COUNTY	TOTAL SHEETS	SHEET NO.
346	2005-058-TS	LAKE	23	9
STA.	TO STA.		FED. ROAD DIST. NO.	ILLINOIS
				FED. AID PROJECT
CONTRACT# 60A47				



**MORRIS ENGINEERING, INC.**  
 5100 S. LINCOLN AVE. (RTE. 53)  
 Lisle, IL 60532-2119  
 PHONE: 630-271-0770  
 FAX: 630-271-0774

REVISIONS	
NAME	DATE

ILLINOIS DEPARTMENT OF TRANSPORTATION  
**TRAFFIC SIGNAL INSTALLATION**  
 U.S. RTE. 41 & 22nd STREET  
 (MARTIN LUTHER KING JR. DRIVE)  
 SCALE: 1" = 20'  
 DATE: 1/31/07  
 DRAWN BY: PRT  
 DESIGNED BY: RKF  
 CHECKED BY: JVV