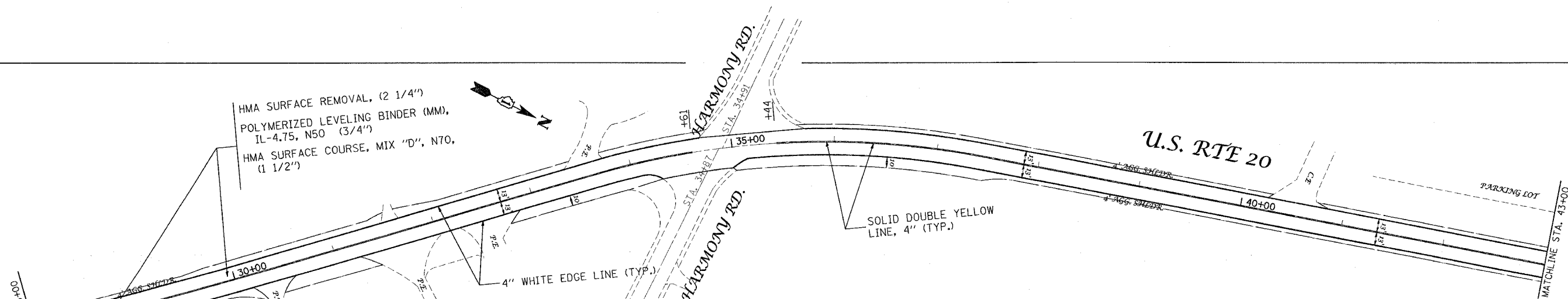
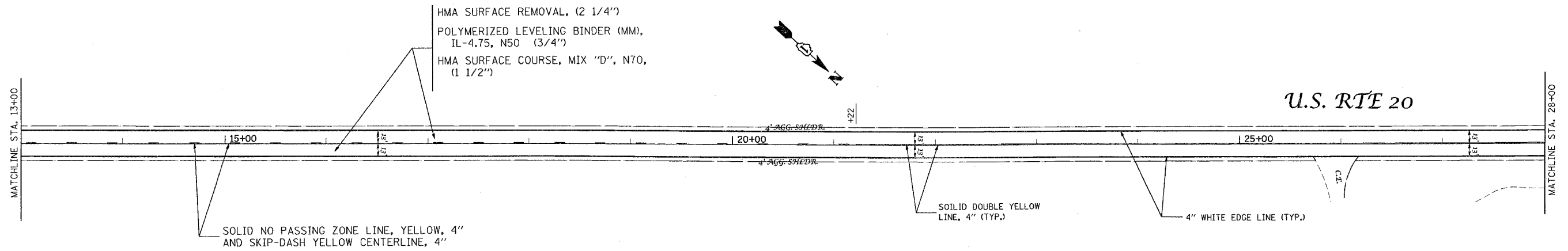
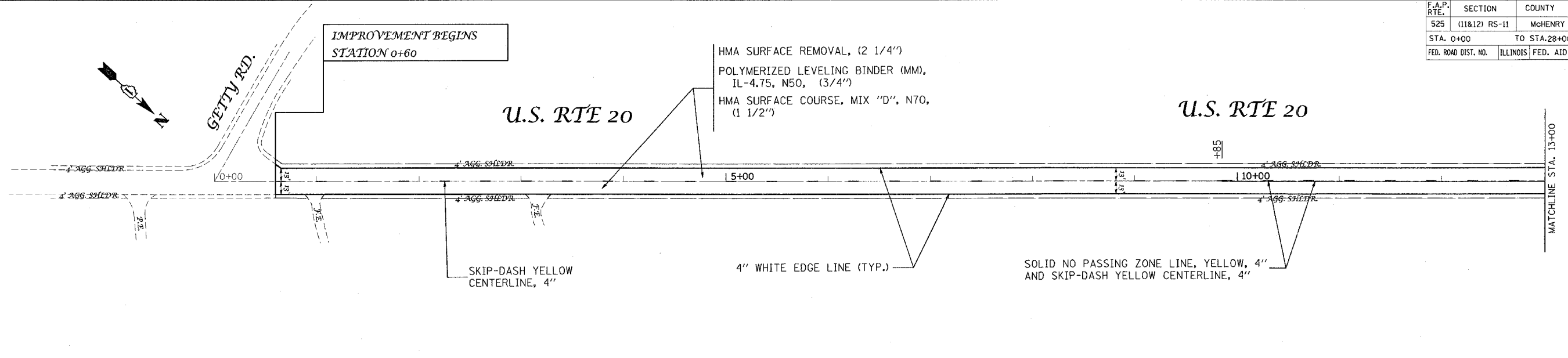


*REF-top01
 *REF-top02
 *REF-top03

CONTRACT NO. 60B64

F.A.P. RTE.	SECTION	COUNTY	TOTAL SHEETS	SHEET NO.
525	(118.12) RS-11	McHENRY	21	5
STA. 0+00		TO STA. 28+00		
FED. ROAD DIST. NO.		ILLINOIS FED. AID PROJECT		



PLOT DATE = 2/13/2007
 FILE NAME = c:\p\projects\118686\ah.dwg
 PLOT SCALE = 1/8" = 1' IN.
 USER NAME = trent

REVISIONS	
NAME	DATE

ILLINOIS DEPARTMENT OF TRANSPORTATION
 ROADWAY PLAN
 U.S. RTE 20
 (GETTY RD. TO WEST UNION RD.)
 SCALE: VERT. 1"=50'
 HORIZ. 1"=50'
 DATE 2/13/2007
 DRAWN BY
 CHECKED BY