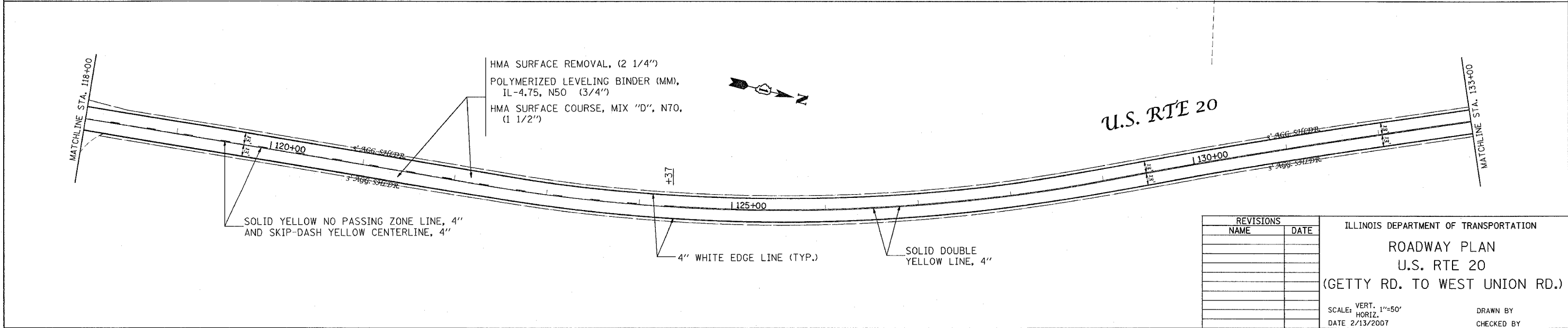
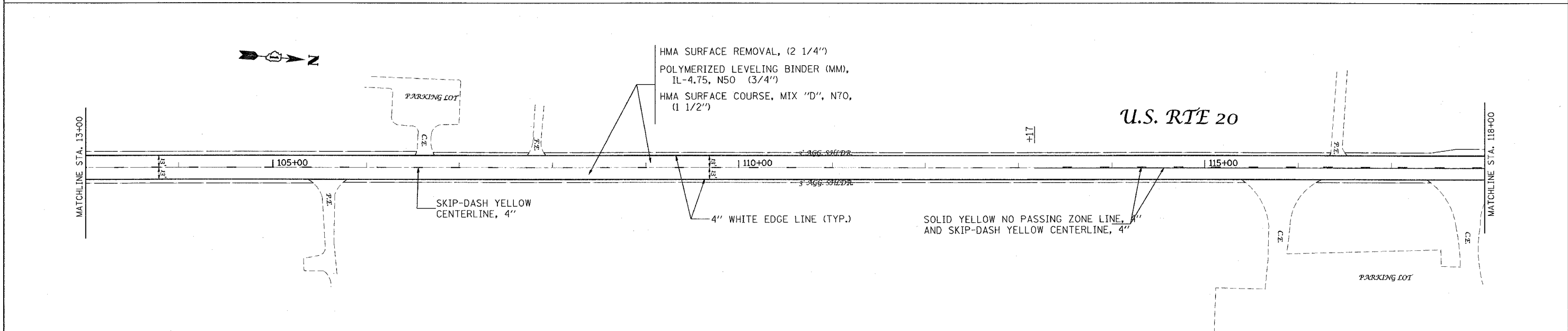
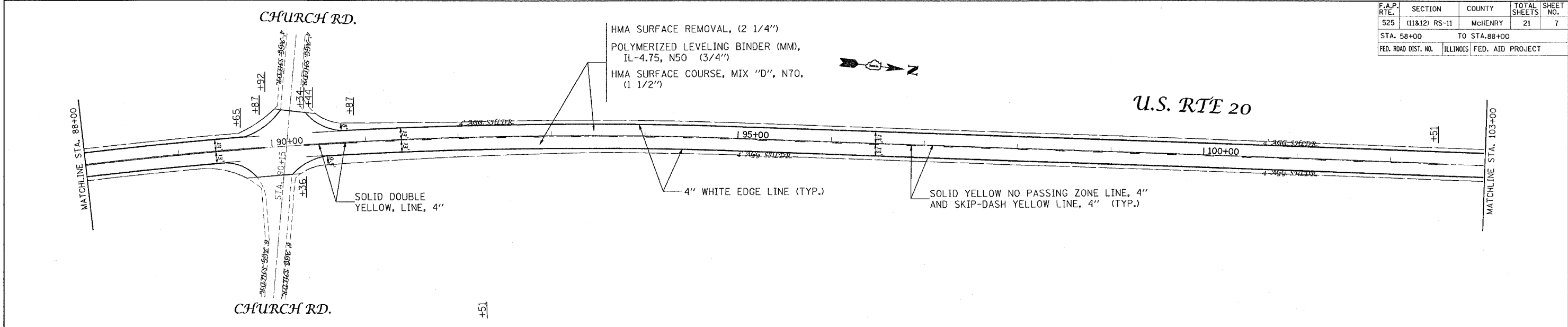


\*REF-top007  
 \*REF-top008  
 \*REF-top009

CONTRACT NO. 60864

F.A.P. RTE.	SECTION	COUNTY	TOTAL SHEETS	SHEET NO.
525	(11&12) RS-11	McHENRY	21	7
STA. 58+00		TO STA. 88+00		
FED. ROAD DIST. NO.	ILLINOIS	FED. AID PROJECT		



PLOT DATE = 2/13/2007  
 FILE NAME = c:\p\c\p\60864\plan.dwg  
 PLOT SCALE = 50.0000 / 1 IN.  
 USER NAME = brent

REVISIONS	
NAME	DATE

ILLINOIS DEPARTMENT OF TRANSPORTATION  
 ROADWAY PLAN  
 U.S. RTE 20  
 (GETTY RD. TO WEST UNION RD.)  
 SCALE: VERT. 1"=50'  
 HORIZ. 1"=50'  
 DATE 2/13/2007  
 DRAWN BY  
 CHECKED BY