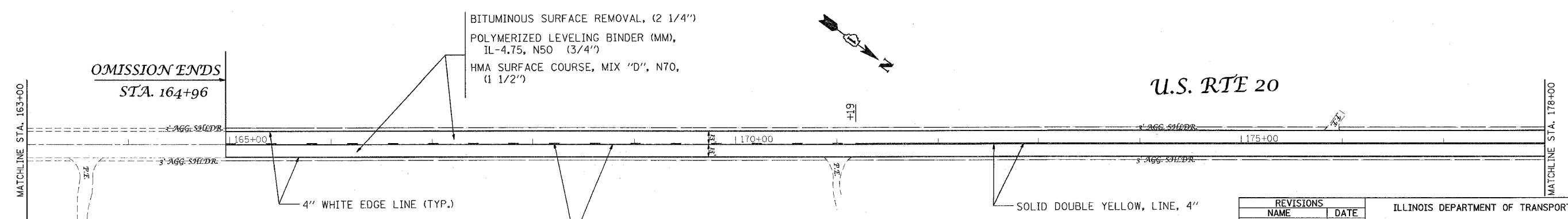
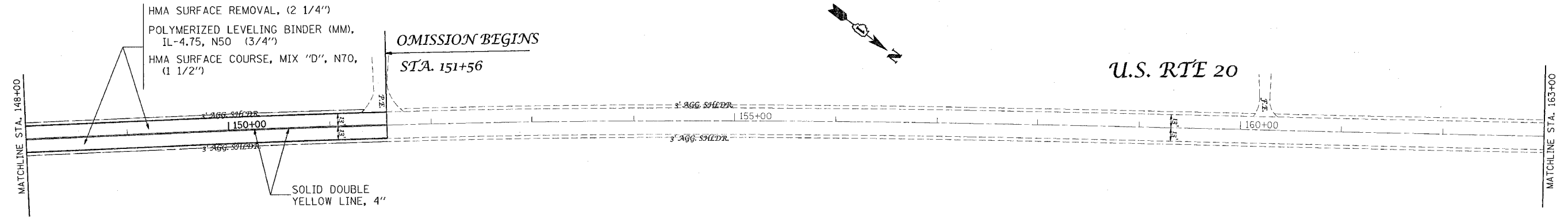
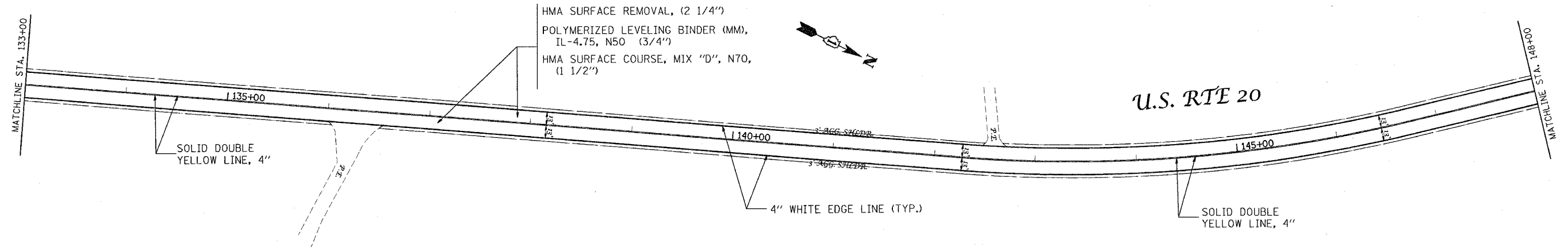


*REF-topol0
 *REF-topol1
 *REF-topol2

CONTRACT NO. 60B64

F.A.P. RTE.	SECTION	COUNTY	TOTAL SHEETS	SHEET NO.
525	(11&12) RS-II	McHENRY	21	8
STA. 88+00		TO STA. 118+00		
FED. ROAD DIST. NO.	ILLINOIS	FED. AID PROJECT		



PLOT DATE = 2/13/2007
 FILE NAME = c:\projects\11386065\ah.dwg
 PLOT SCALE = 1/8" = 1' / IN.
 USER NAME = tranls

REVISIONS	
NAME	DATE

ILLINOIS DEPARTMENT OF TRANSPORTATION
 ROADWAY PLAN
 U.S. RTE 20
 (GETTY RD. TO WEST UNION RD.)
 SCALE: VERT. 1"=50'
 HORIZ. 1"=50'
 DATE 2/13/2007
 DRAWN BY
 CHECKED BY