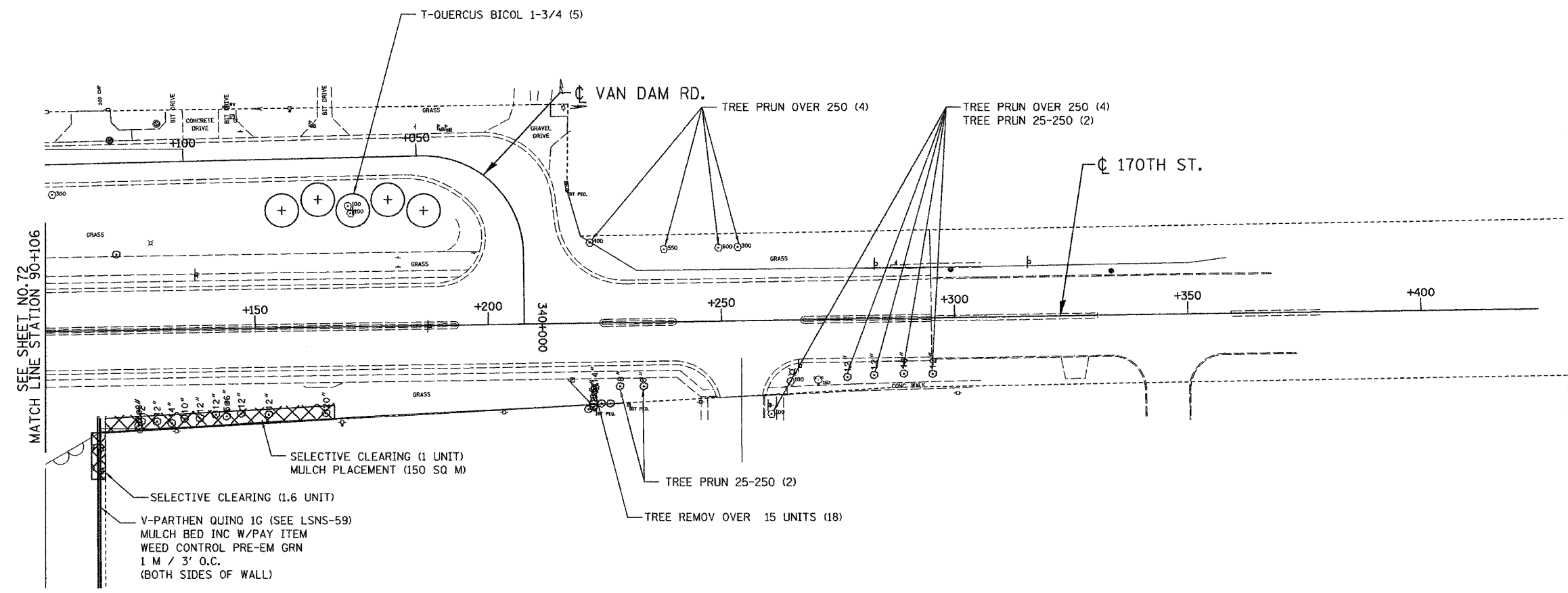
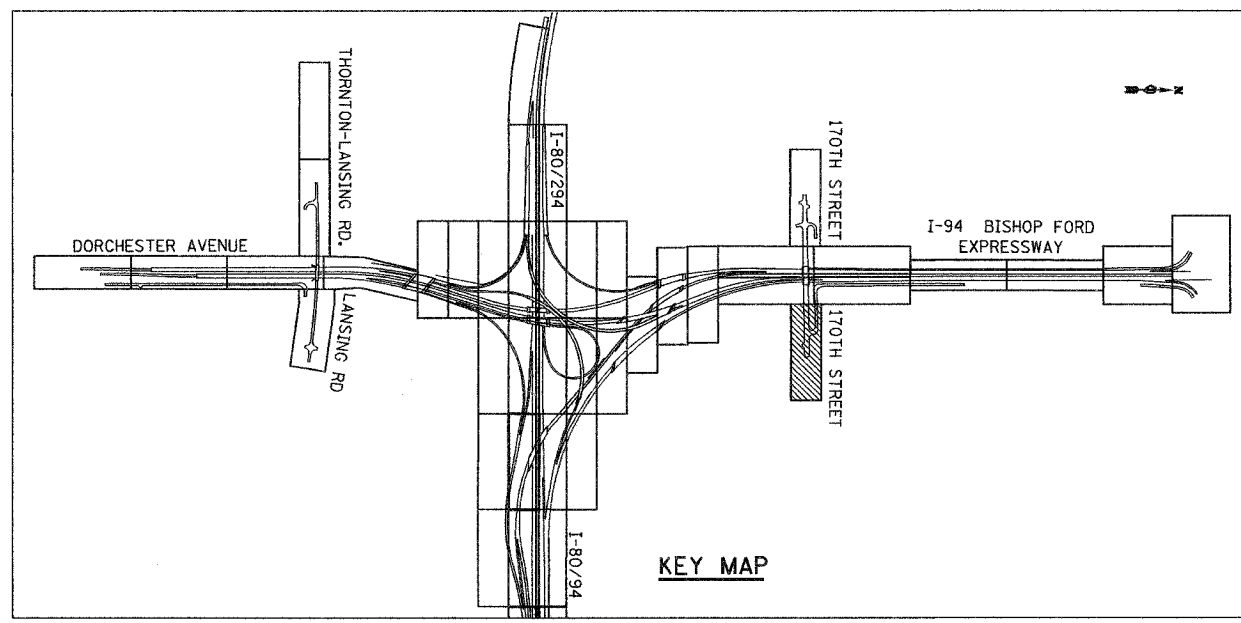


ALL DIMENSIONS IN METERS EXCEPT PAY ITEMS AND UNLESS NOTED OTHERWISE

F.A.I. RTE.	SECTION	COUNTY	TOTAL SHEETS	SHEET NO.
80/94	2003-106LS	COOK	88	83
STA.	TO STA.			
FED. ROAD DIST. NO.	ILLINOIS	FED. AID PROJECT		
CONTRACT NO. 62699				



SEE SHEET NO. 72
MATCH LINE STATION 90+106



KEY MAP

LS170 - 70

REVISIONS	
NAME	DATE

ILLINOIS DEPARTMENT OF TRANSPORTATION
I-80/94/US 6
KINGERY-BORMAN EXPRESSWAY
BURNHAM ROAD TO US 41
LANDSCAPING PLAN
170 TH STREET

SCALE 1:500
DATE 12/13/06

DRAWN BY ACE/CAD
CHECKED BY TJW

AMERICAN
CONSULTING ENGINEERS

12/12/06
3:08:07 PM
S:\Project\2014\901\CADD\Contract LS US 70.rds