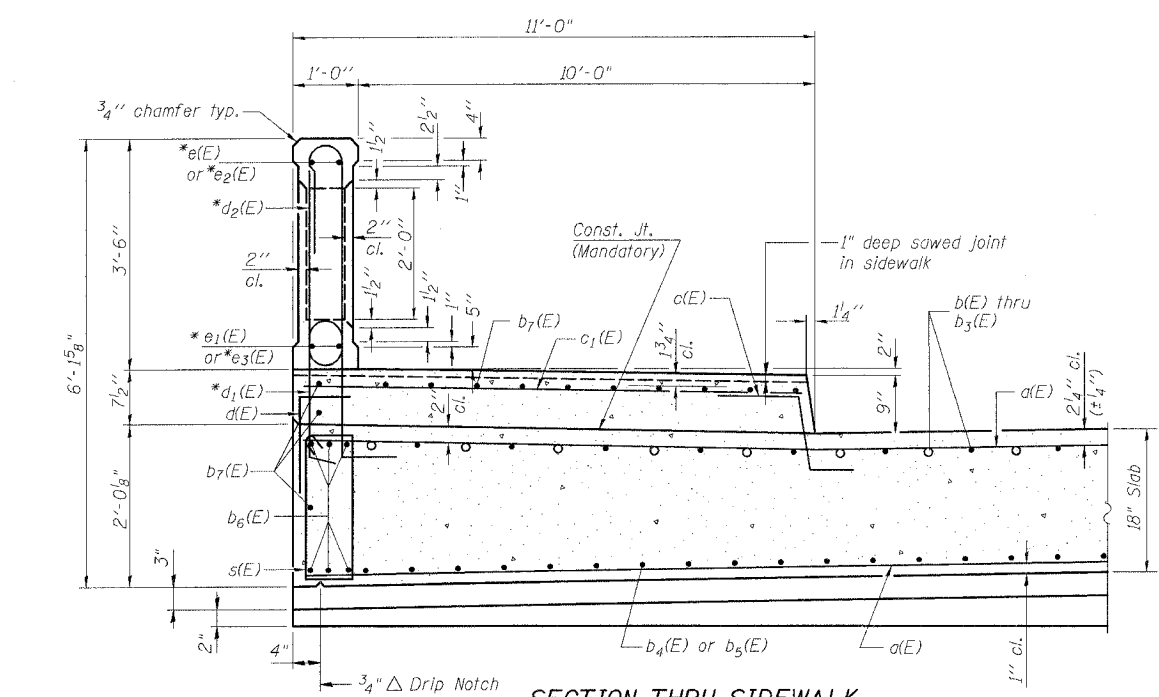
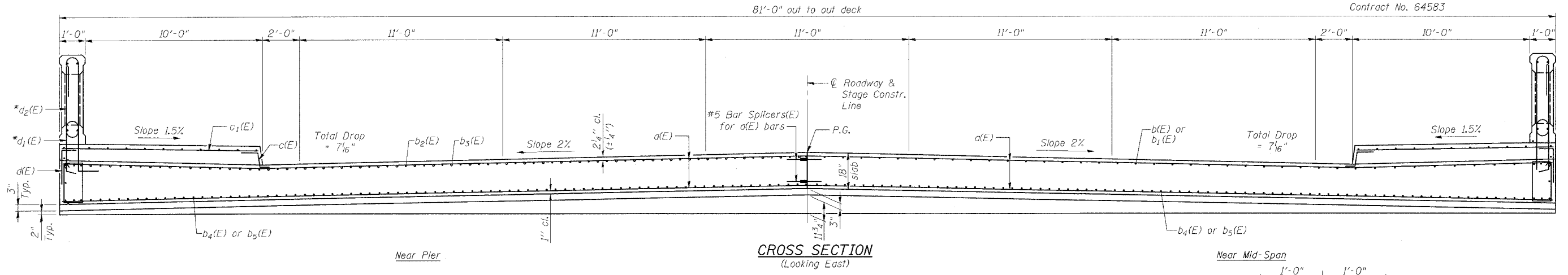


STATE OF ILLINOIS  
DEPARTMENT OF TRANSPORTATION

ROUTE NO. FAU 567 (IL 38)	SECTION 34-XBR	COUNTY DEKALB	TOTAL SHEETS 90	SHEET 37
SHEET NO. 6				
14 SHEETS				
FED. ROAD DIST. NO.	ILLINOIS	FED. AID PROJECT-		

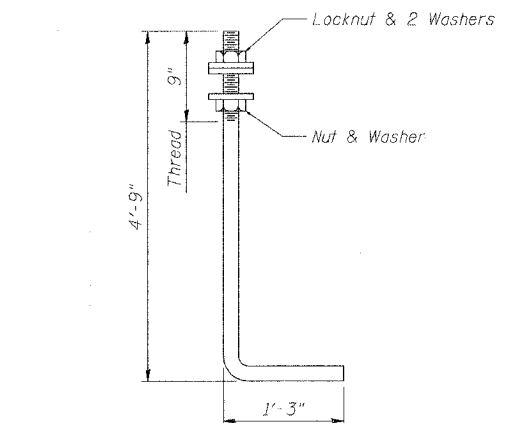
Contract No. 64583



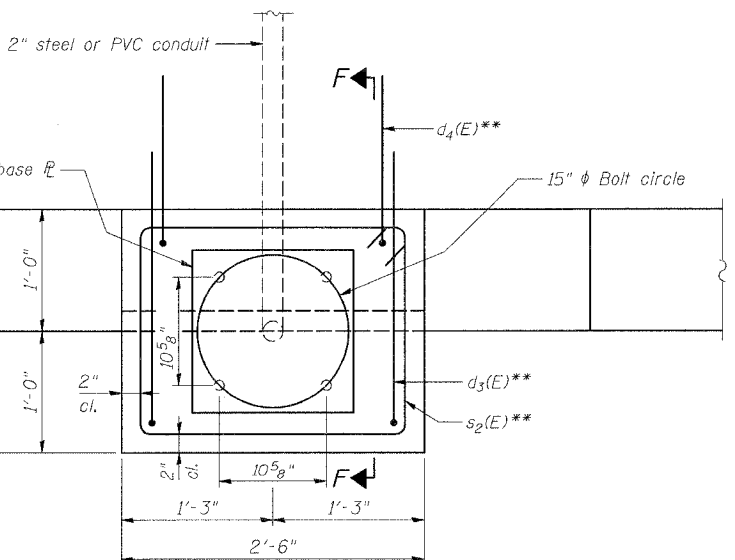
**SECTION THRU SIDEWALK SECTION B-B**

\* Reinforcement bars included with "Concrete Bridge Rail, Sidewalk Mounted". (See Sheet No. 7 of 14 for location of Section B-B)

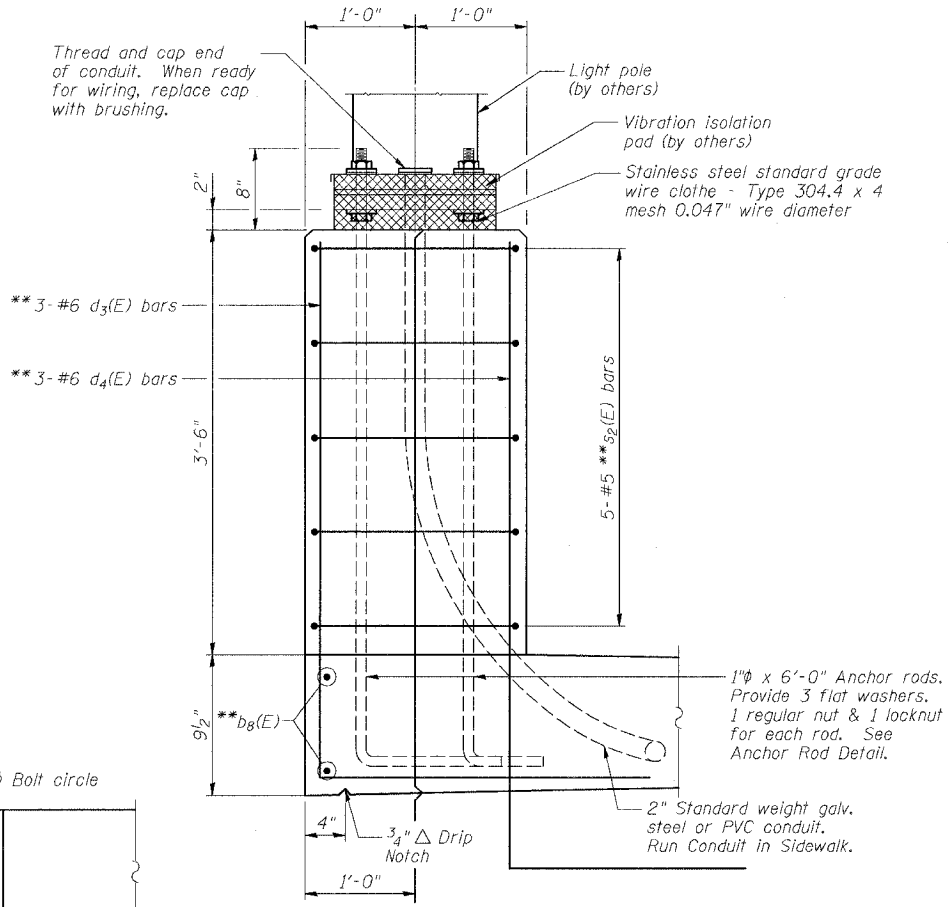
\*\* Reinforcement bars included with "Anchor Rods".



**1" φ ANCHOR ROD (ASTM F 1554 Grade 105)**



**BENT PILASTER PLAN**



**SECTION F-F**

REVISIONS	
NAME	DATE

ILLINOIS DEPARTMENT OF TRANSPORTATION  
**SUPERSTRUCTURE DETAILS**

F.A.U. ROUTE 567 (IL 38) OVER SOUTH BRANCH OF THE KISHWAUKEE RIVER DEKALB COUNTY - SEC. 34-XBR STA. 140+96.71 S.N. 019-0044

SCALE: VERT. DATE: 7/6/05

DRAWN BY: LANDREY DESIGNED BY: TRELLO CHECKED BY: SANFORD

GREENE & BRADFORD, INC. OF SPRINGFIELD

COMPUTER FILE NO. SN019-0044:SECTION PROJECT 05198 12/4/06-MML

FILE NAME = J:\05198\DRAWINGS\SN019-0044\SN019-0044.dgn  
PLOT SCALE = 1/8" = 1'-0"  
PLOT DATE = 12/24/2006  
PLOT TIME = 15:16 PM  
OPERATOR = MICHAEL