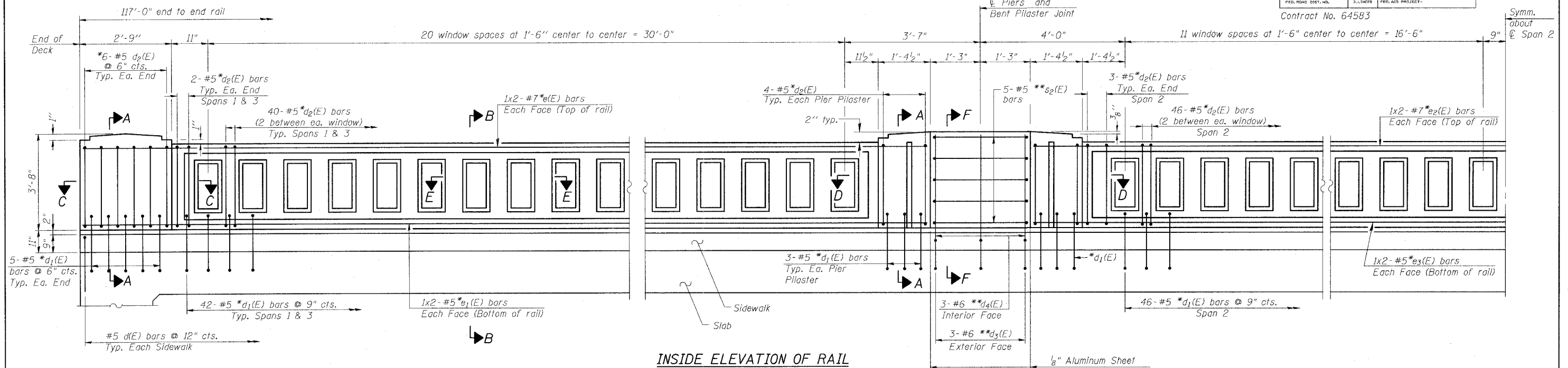


STATE OF ILLINOIS  
DEPARTMENT OF TRANSPORTATION

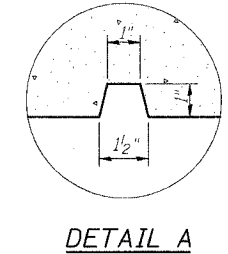
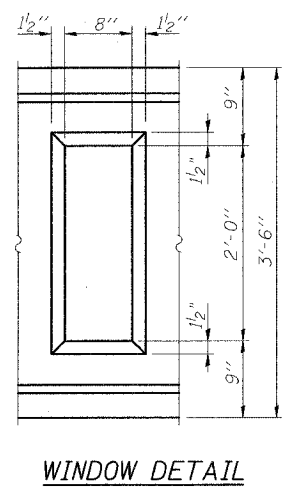
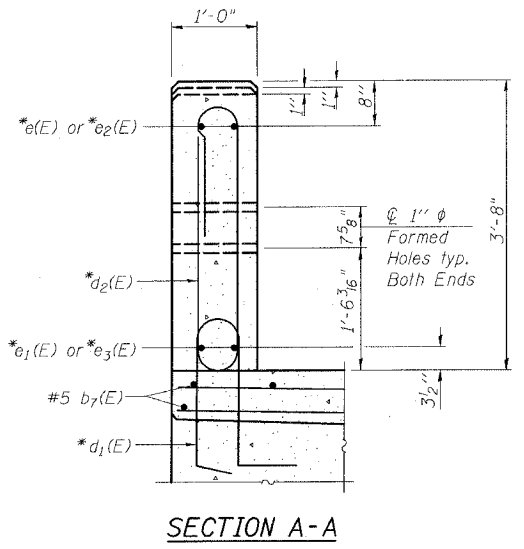
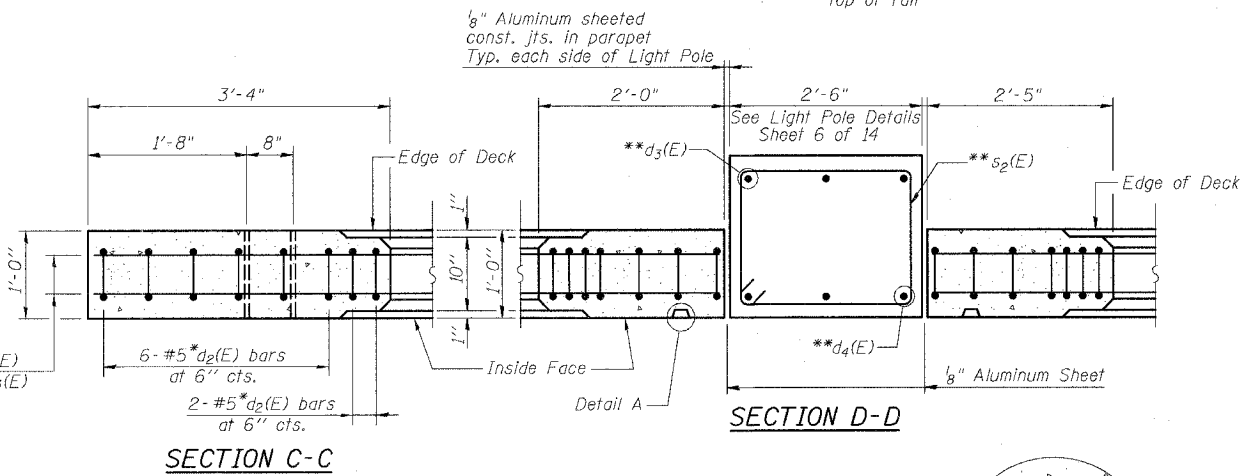
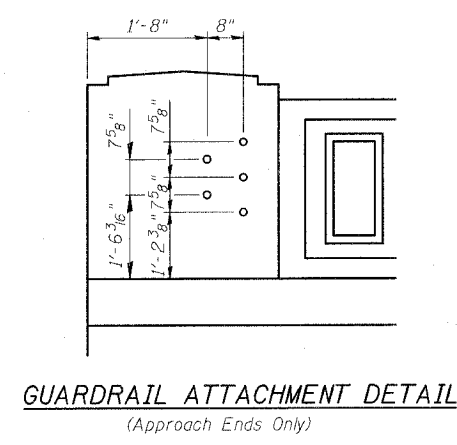
ROUTE NO. FAU 567 (IL 38)	SECTION 34-XBR	COUNTY DEKALB	TOTAL SHEETS 90	SHEET NO. 38	SHEET NO. 7 14 SHEETS
FED. ROAD DIST. NO.		ILLINOIS	FED. AID PROJECT		

Contract No. 64583

Symm. about  
@ Span 2



\* Reinforcement bars included with "Concrete Bridge Rail, Sidewalk Mounted".  
\*\* Reinforcement bars included with "Anchor Rods".



Notes:  
All concrete for railing wall shall be Class BS according to Article 1020.04 of the Standard Specifications. Surface of railing shall receive a rubbed finish according to Article 503.15(b) of the Standard Specifications.  
All parts of the railing including concrete and reinforcing will be paid for at the contract unit price per foot for Concrete Bridge Rail, Sidewalk Mounted.  
Holes and recesses must be formed or cored. Drilling is not permitted.  
For Section F-F, see Sheet 6 of 14.  
For Section B-B, see Section thru Sidewalk, Sheet 6 of 14.

REVISIONS	
NAME	DATE

ILLINOIS DEPARTMENT OF TRANSPORTATION  
**RAILING DETAILS**  
F.A.U. ROUTE 567 (IL 38) OVER SOUTH BRANCH OF THE KISHWAUKEE RIVER DEKALB COUNTY - SEC. 34-XBR STA. 140+96.71 S.N. 019-0044  
SCALE: VERT. HORIZ. DATE: 7/6/05  
DRAWN BY: LANDREY DESIGNED BY: TRELLO CHECKED BY: SANFORD  
GREENE & BRADFORD, INC. OF SPRINGFIELD  
COMPUTER FILE NO. SN019-0044RAIL PROJECT 05198 1/18/07-MML

FILE NAME = J:\05188\DRAWINGS\SN019-0044\SN019-0044.dgn  
PLOT SCALE = 0.0833 / INRV = XES-8850.ENG.BRIDGE.plt  
PLOT DATE = 1/8/2007  
PLOT TIME = 10:25:17 AM  
OPERATOR = michaels