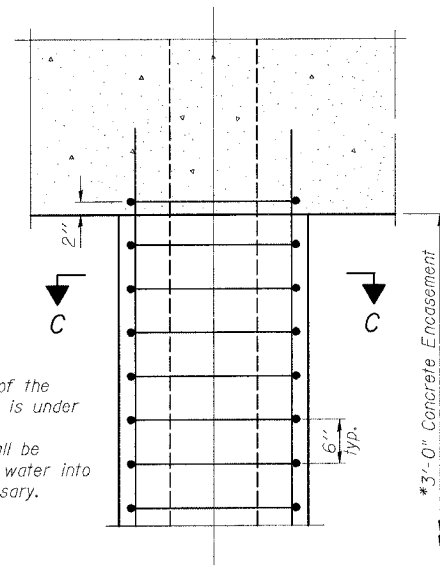


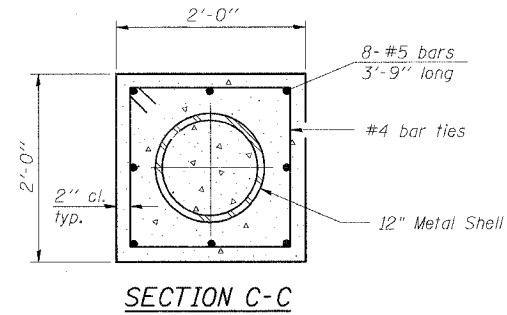
STATE OF ILLINOIS  
DEPARTMENT OF TRANSPORTATION

ROUTE NO. FAU 567 (IL 38)	SECTION 34-XBR	COUNTY DEKALB	TOTAL SHEETS 90	SHEET 43	SHEET NO. 12 14 SHEETS
FED. ROAD DIST. NO.		ILLINOIS	FED. AID PROJECT-		

Contract No. 64583

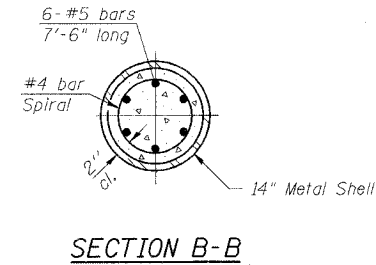
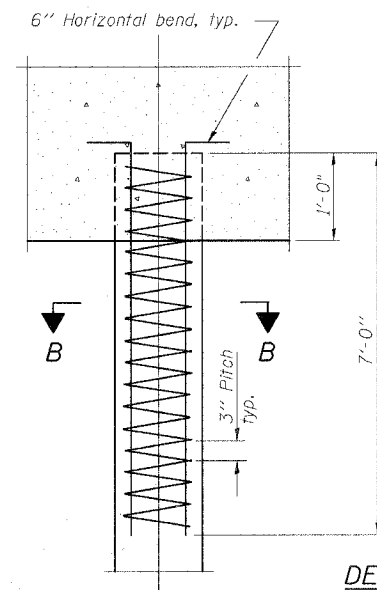


\* If a portion of the pile encasement is under water, Concrete Encasement shall be tremmed under water into forms as necessary.



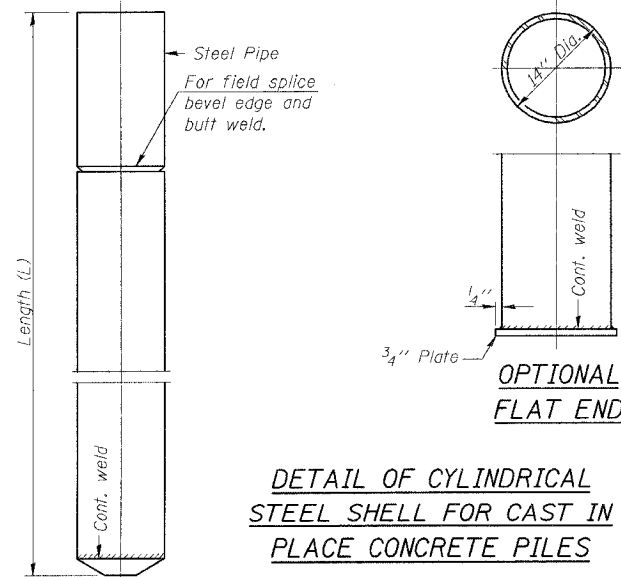
The cost of Reinforcement, concrete, and excavation for forms is included with Furnishing Metal Shell Piles, 12".

DETAIL OF PROTECTION FOR METAL SHELLS AT PIERS

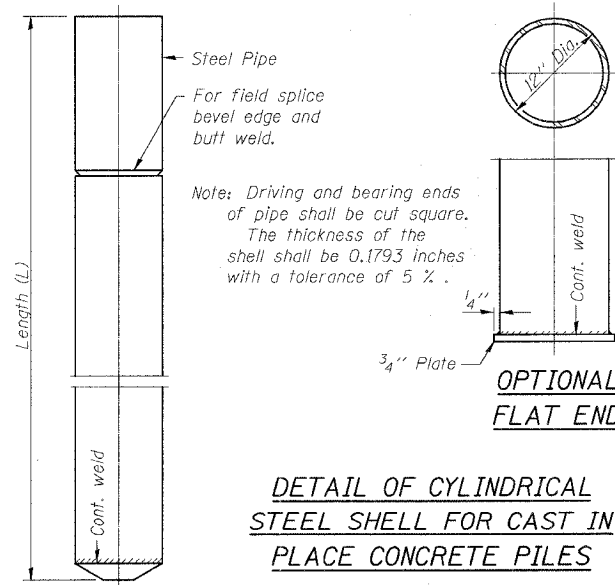


DETAIL OF REINFORCEMENT FOR METAL SHELLS AT ABUTMENTS

Notes:  
Driving and bearing ends of pipe shall be cut square. The thickness of the shell shall be 0.250 inches with a tolerance of 5%. The shell shall be according to Article 1006.05(a) of the Standard Specifications.



DETAIL OF CYLINDRICAL STEEL SHELL FOR CAST IN PLACE CONCRETE PILES



Note: Driving and bearing ends of pipe shall be cut square. The thickness of the shell shall be 0.1793 inches with a tolerance of 5%.

DETAIL OF CYLINDRICAL STEEL SHELL FOR CAST IN PLACE CONCRETE PILES

FILE NAME = J:\05198\DRAWINGS\SN019-0044\SN019-0044.dgn  
PLOT SCALE = 1:0000  
PLOT DATE = 12/4/2006  
OPERATOR = HSFJG:PM  
OPERATOR = micha1el

ILLINOIS DEPARTMENT OF TRANSPORTATION

CONCRETE PILE DETAILS

F.A.U. ROUTE 567 (IL 38) OVER  
SOUTH BRANCH OF THE KISHWAUKEE RIVER  
DEKALB COUNTY - SEC. 34-XBR  
STA. 140+96.71  
S.N. 019-0044

SCALE: VERT.  
HORIZ.  
DATE: 7/6/05

DRAWN BY: LANDREY  
DESIGNED BY: TRELLO  
CHECKED BY: SANFORD

GREENE & BRADFORD, INC.  
OF SPRINGFIELD  
REGISTERED PROFESSIONAL ENGINEERS  
ILLINOIS LICENSE NO. 021-00000000  
PROFESSIONAL ENGINEERS, ARCHITECTS, SURVEYORS  
2315 W. 84th St., Suite 100, Chicago, IL 60656  
TEL: 773-884-0000 FAX: 773-887-9100 www.greenesbradford.com

COMPUTER FILE NO.  
SN019-0044:PILE  
PROJECT 05198  
12/4/06-MML

REVISIONS	
NAME	DATE