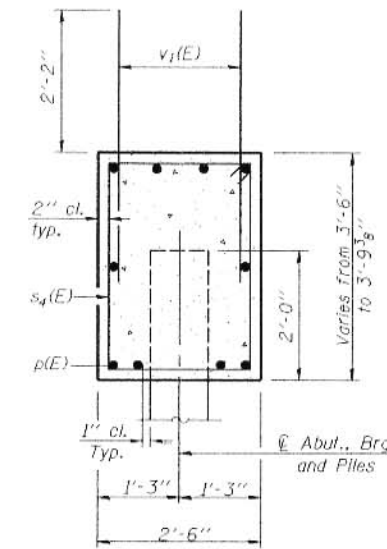
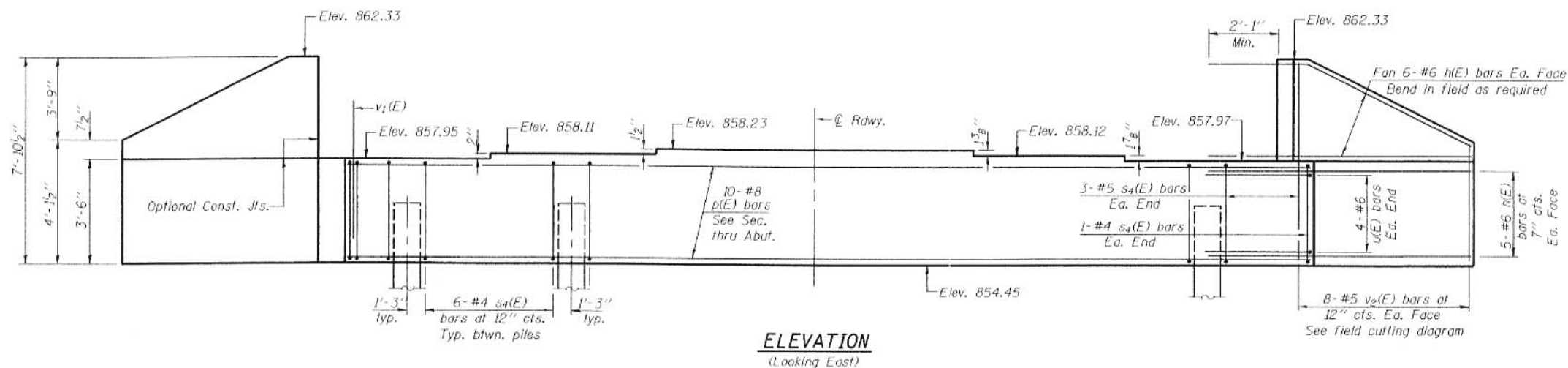


Notes: Pour steps monolithically with cap.

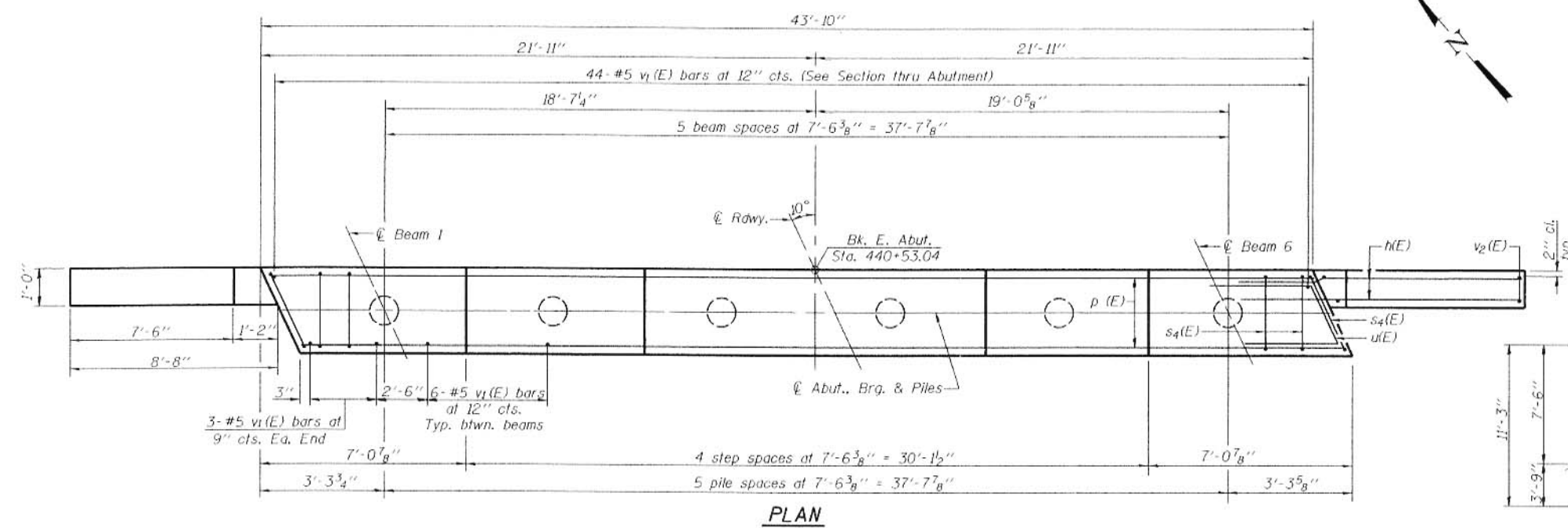
STATE OF ILLINOIS  
DEPARTMENT OF TRANSPORTATION

ROUTE NO.	SECTION	COUNTY	TOTAL SHEETS	SHEET NO.
F.A.P. 303	130 BR-4	BOONE	49	18 SHEETS
FILE NO. 004-0020	ILLINOIS	FILE NO. PROJECT		

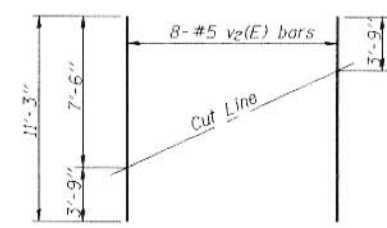
Contract #64800



SEC. THRU ABUT.



PLAN



FIELD CUTTING DIAGRAM

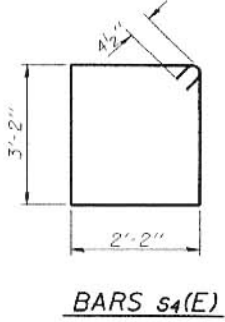
Order v2(E) full length. Cut as shown and use remainder of bars in opposite face.

BILL OF MATERIAL

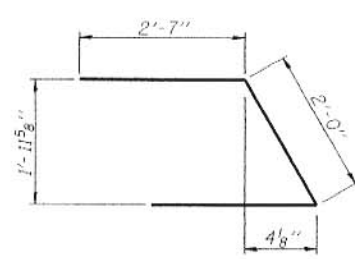
Bar	No.	Size	Length	Shape
h(E)	44	#6	11'-5"	—
p(E)	10	#8	43'-6"	—
s4(E)	38	#4	11'-5"	□
u(E)	8	#6	7'-2"	∩
v1(E)	80	#5	4'-4"	—
v2(E)	16	#5	11'-3"	—
Concrete Structures			Cu. Yd.	18.4
Reinforcement Bars, Epoxy Coated			Pound	2840
Structure Excavation			Cu. Yd.	193.1
Driving Piles			Foot	280
Test Pile Metal Shells			Each	1
Furnishing Metal Shell Piles, 14"			Foot	280

For details of piles and Metal Shell Reinforcement at Abutments see sheet 14 of 18.

**PILE DATA**  
 Pile type & size: Metal Shell 14" dia. x 5/16" wall  
 Nominal Required Bearing: 395 kips  
 Allowable Resistance Available: 132 kips  
 Estimated Pile Length: 56'  
 No. of Production Piles: 5  
 No. of Test Piles: 1



BARS s4(E)



BAR u(E)

DESIGNED Fesseha Teklehaimanot  
 CHECKED Stephen Ryan  
 DRAWN R. Sommer  
 CHECKED FT/SMR

March 9 2007  
 EXAMINED Thomas J. Domagala  
 PASSED Ralph E. Anderson

EAST ABUTMENT  
 F.A.P. ROUTE 303 - SECTION 130BR-4  
 BOONE COUNTY  
 STATION 439+88.00  
 STRUCTURE NO. 004-0020