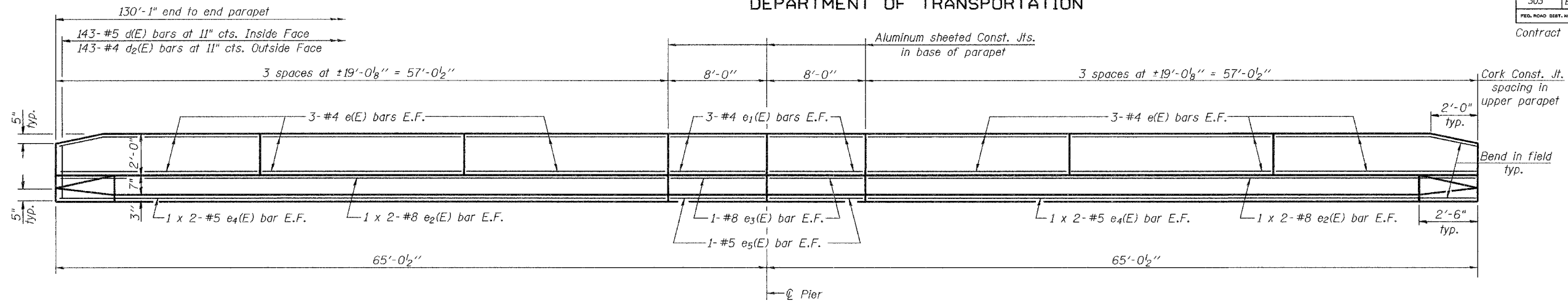


STATE OF ILLINOIS
DEPARTMENT OF TRANSPORTATION

ROUTE NO.	SECTION	COUNTY	SHEET NO.	SHEET NO.
F.A.P. 303	130 BR-4	BOONE	43	18 SHEETS
FED. ROAD DIST. NO. 7	ILLINOIS	FED. AID PROJECT		

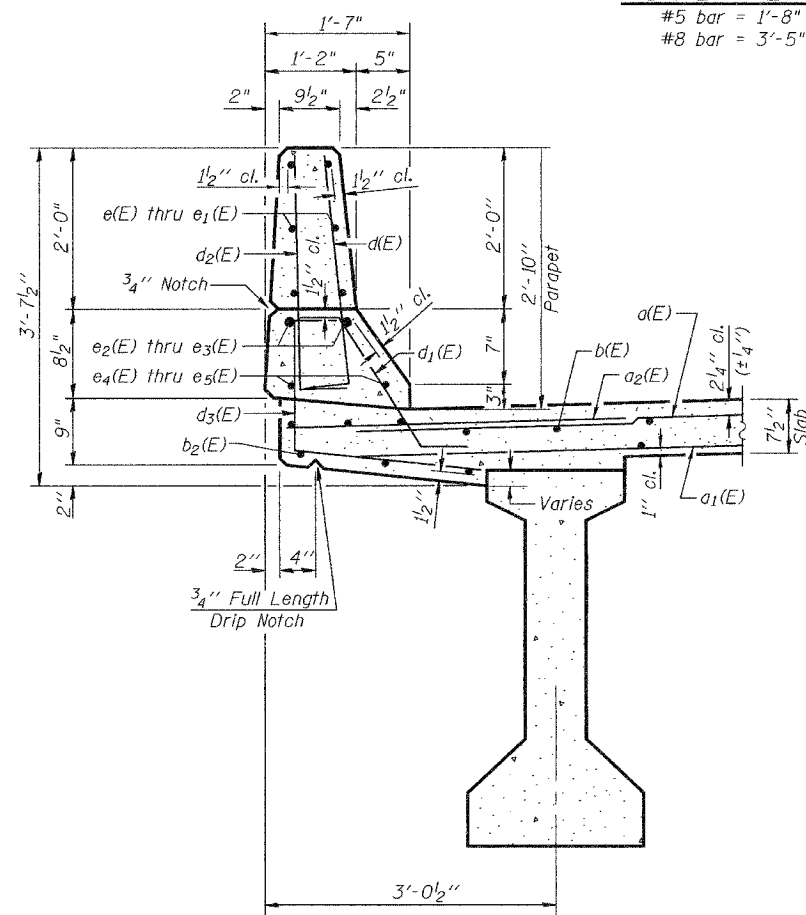
Contract #64800



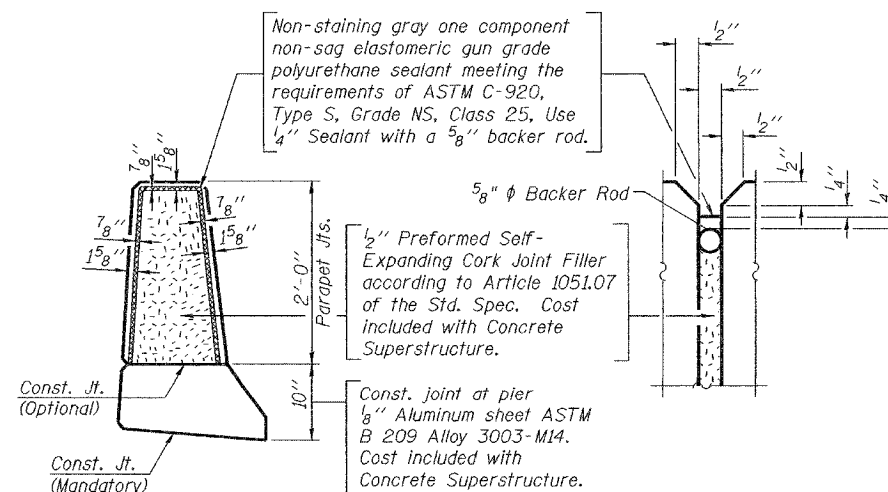
INSIDE ELEVATION OF PARAPET

MIN. BAR LAPS

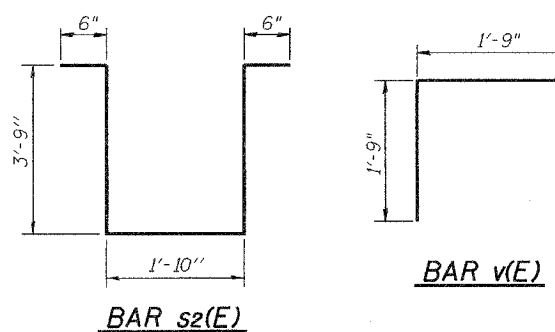
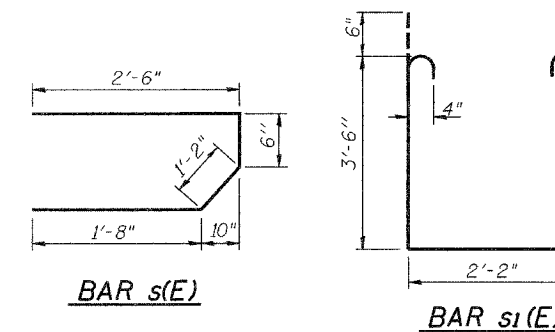
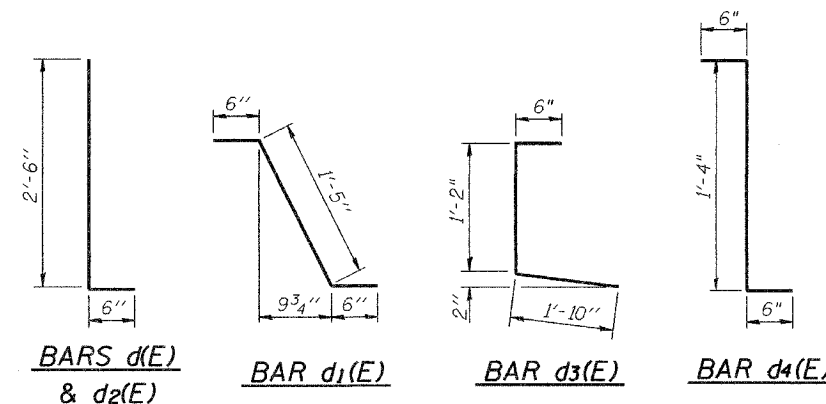
#5 bar = 1'-8"
#8 bar = 3'-5"



SECTION THRU PARAPET



PARAPET JOINT DETAILS



SUPERSTRUCTURE
BILL OF MATERIAL

Bar	No.	Size	Length	Shape
d(E)	242	#5	41'-5"	—
a1(E)	175	#5	40'-10"	—
a2(E)	484	#6	6'-0"	—
a3(E)	4	#5	43'-1"	—
b(E)	230	#5	27'-6"	—
b1(E)	43	#6	25'-6"	—
b2(E)	246	#5	22'-11"	—
d(E)	286	#5	3'-0"	—
d1(E)	274	#5	2'-5"	—
d2(E)	286	#4	3'-0"	—
d3(E)	286	#4	3'-6"	—
d4(E)	12	#5	2'-4"	—
e(E)	72	#4	18'-9"	—
e1(E)	24	#4	7'-9"	—
e2(E)	16	#8	30'-1"	—
e3(E)	8	#8	7'-9"	—
e4(E)	16	#5	29'-3"	—
e5(E)	8	#5	7'-9"	—
m(E)	4	#6	41'-7"	—
m1(E)	6	#6	43'-6"	—
m2(E)	24	#6	10'-3"	—
m3(E)	20	#6	5'-4"	—
m4(E)	4	#6	1'-10"	—
m5(E)	6	#8	5'-10"	—
m6(E)	20	#6	6'-8"	—
s(E)	82	#5	5'-10"	—
s1(E)	72	#4	10'-2"	—
s2(E)	30	#4	10'-4"	—
v(E)	84	#5	3'-6"	—
Reinforcement Bars, Epoxy Coated			Lbs.	45440
Concrete Superstructure			Cu. Yds.	203.0

Bars indicated thus 1 x 2-#8 etc. indicates 1 line of bars with 2 lengths per line.

SUPERSTRUCTURE DETAILS
F.A.P. ROUTE 303 - SECTION 130BR-4
BOONE COUNTY
STATION 439+88.00
STRUCTURE NO. 004-0020

DESIGNED	Fesseha Teklehaimanot
CHECKED	Stephen Ryan
DRAWN	R. Sommer
CHECKED	FT/SMR

EXAMINED	March 9, 2007	Thomas J. Demagala
PASSED		Ralph E. Anderson