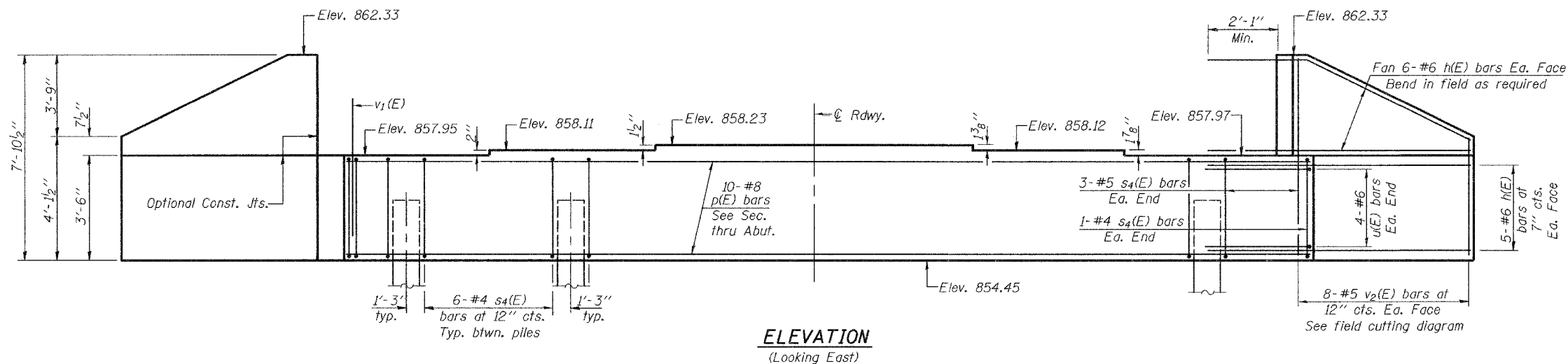


Notes: Pour steps monolithically with cap.

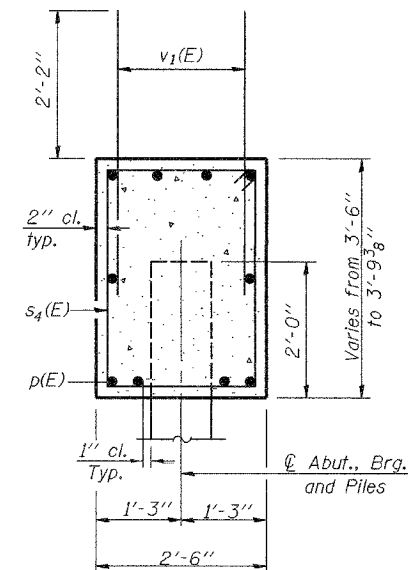
STATE OF ILLINOIS
DEPARTMENT OF TRANSPORTATION

ROUTE NO. F.A.P. 303	SECTION BR-4	COUNTY BOONE	SHEET 49	SHEET NO. 12 18 SHEETS
FED. ROAD DIST. NO. 7		ILLINOIS	FED. AID PROJECT-	

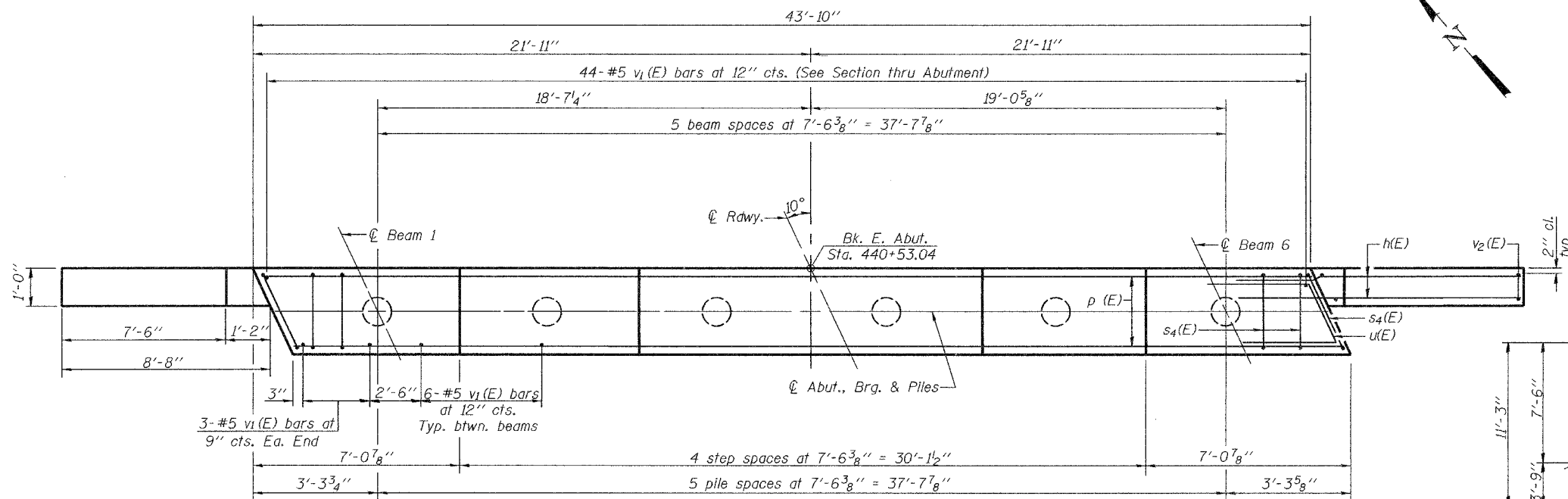
Contract #64800



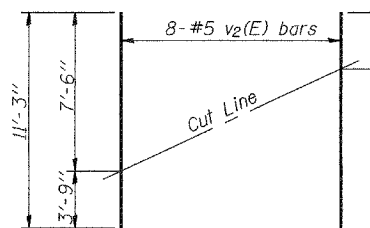
ELEVATION
(Looking East)



SEC. THRU ABUT.



PLAN



FIELD CUTTING DIAGRAM

Order v2(E) full length. Cut as shown and use remainder of bars in opposite face.

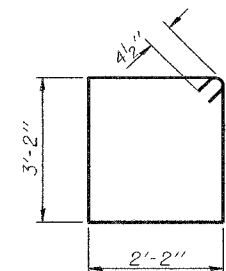
BILL OF MATERIAL

Bar	No.	Size	Length	Shape	
h(E)	44	#6	11'-5"	—	
p(E)	10	#8	43'-6"	—	
s4(E)	38	#4	11'-5"	□	
u(E)	8	#6	7'-2"	∟	
v1(E)	80	#5	4'-4"	—	
v2(E)	16	#5	11'-3"	—	
Concrete Structures				Cu. Yd.	18.4
Reinforcement Bars, Epoxy Coated				Pound	2840
Structure Excavation				Cu. Yd.	193.1
Driving Piles				Foot	235
Test Pile Metal Shells				Each	1
Furnishing Metal Shell Piles, 14"				Foot	235

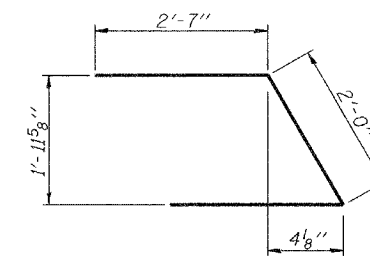
For details of piles and Metal Shell Reinforcement at Abutments see sheet 14 of 18.

PILE DATA

Pile type & size: Metal Shell 14" dia. x 1/4" in wall
Nominal Required Bearing: 416 kips
Allowable Resistance Available: 139 kips
Estimated Pile Length: 47'
No. of Production Piles: 5
No. of Test Piles: 1



BARS s4(E)



BAR u(E)

DESIGNED	Fesseha Teklehaimanot
CHECKED	Stephen Ryan
DRAWN	R. Sommer
CHECKED	FT/SMR

EXAMINED	Thomas J. Domagalaki	March 9 2007
PASSED	Ralph E. Anderson	

EAST ABUTMENT
F.A.P. ROUTE 303 - SECTION 130BR-4
BOONE COUNTY
STATION 439+88.00
STRUCTURE NO. 004-0020