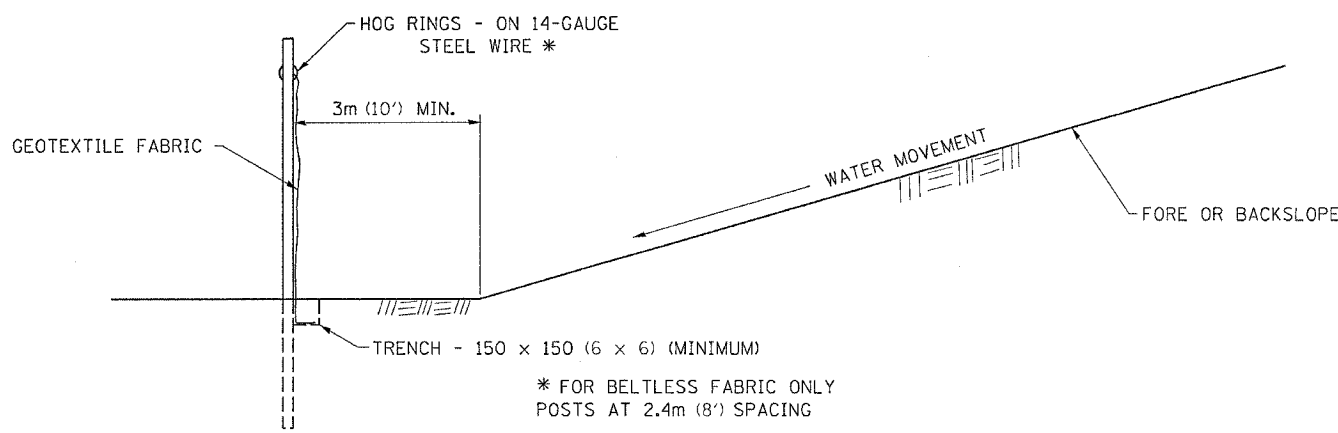
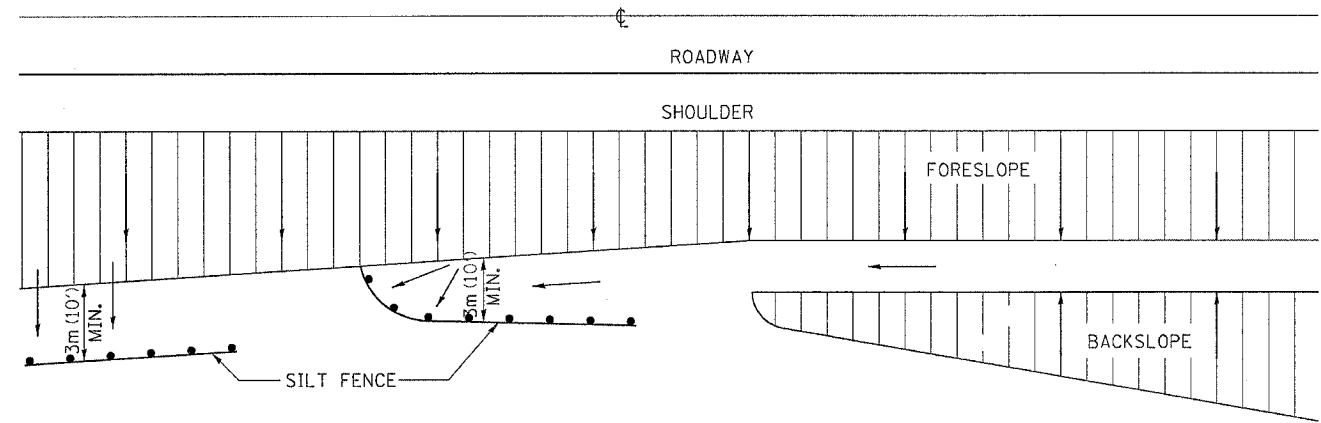


# EROSION CONTROL DETAILS FOR SILT FENCE



DETAILS OF SILT FENCE

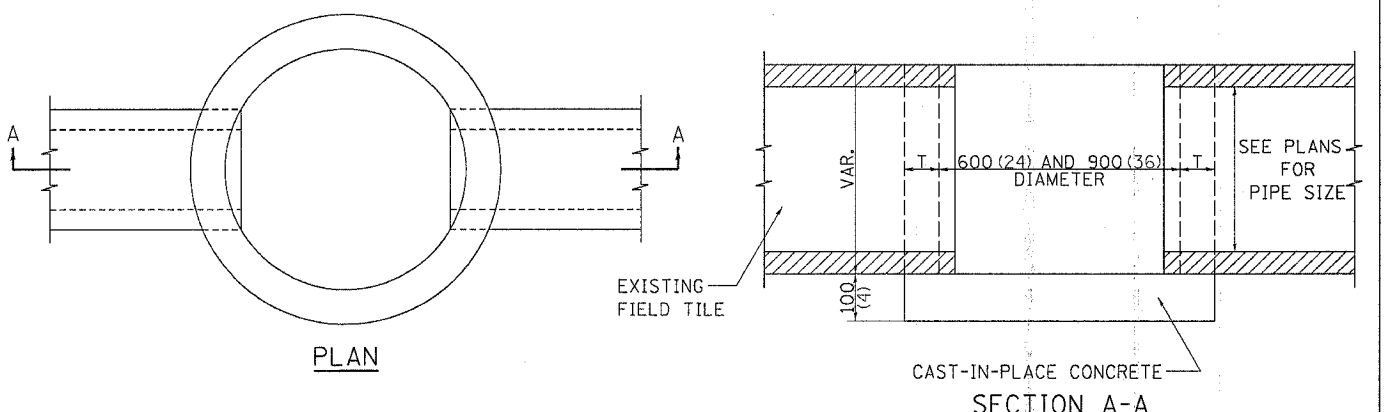
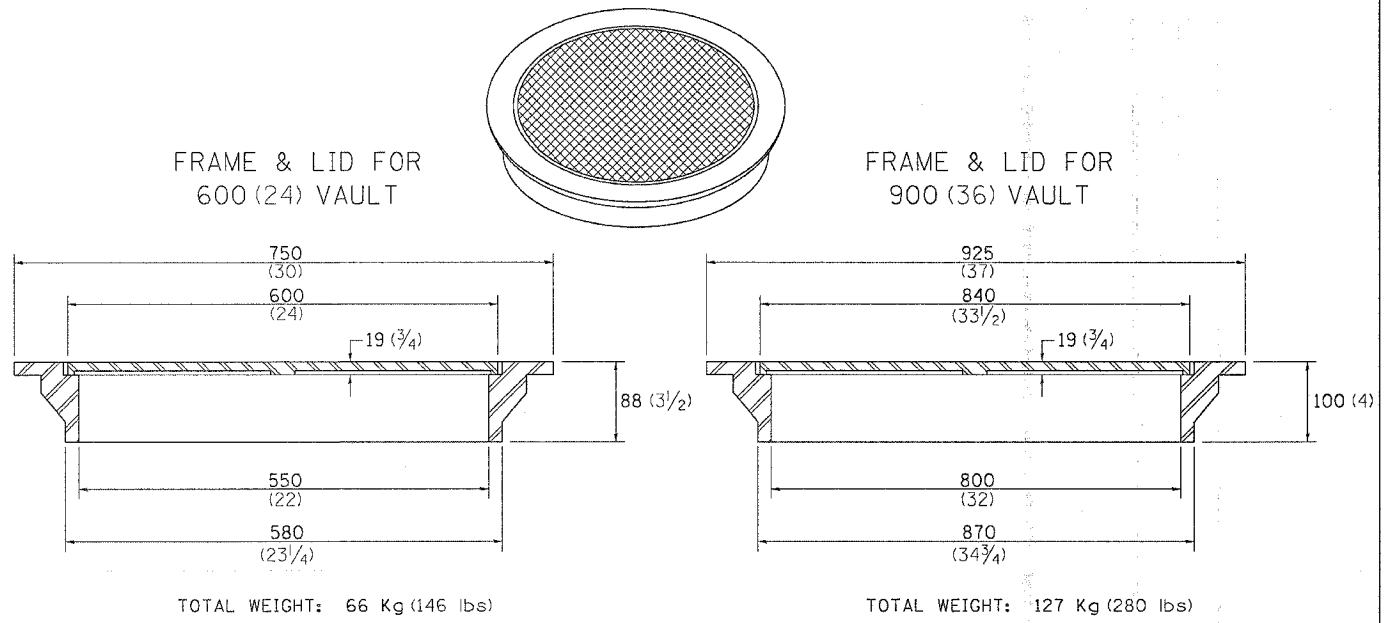
ALL DIMENSIONS ARE IN MILLIMETERS (INCHES) UNLESS OTHERWISE NOTED.

PLOT DATE = Fri Dec 15 07:46:19 2006  
 FILE NAME = c:\p\projects\1308r-4\302\302.plt.dgn  
 PLOT NO. = 302 / 13  
 REFERENCE = SHEET

REVISED 10-22-01

# FIELD TILE JUNCTION VAULTS 600 (24) AND 900 (36) DIA.

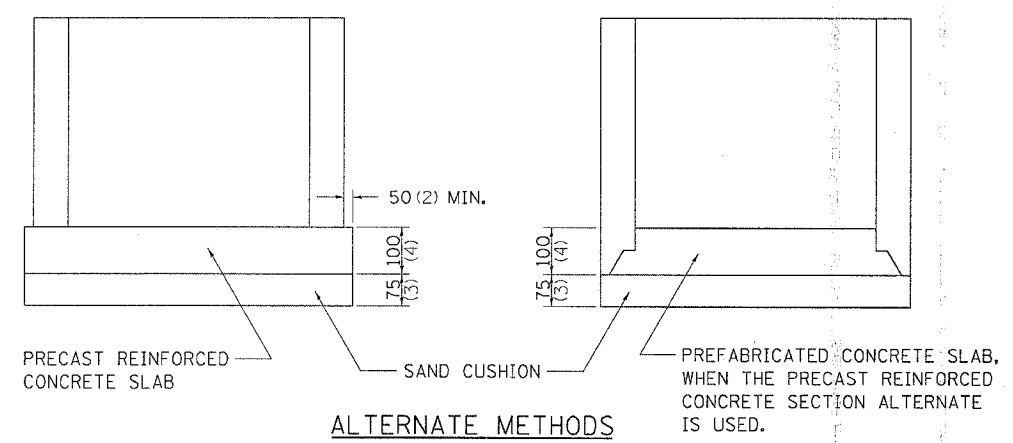
CONTRACT NO. 64800			
F.A.P. RTE.	SECTION	COUNTY	TOTAL SHEETS
303	130BR-4	BOONE	147
STA.	TO STA.		
FED. ROAD DIST. NO.	ILLINOIS	FED. AID PROJECT	



ALTERNATE MATERIALS FOR WALLS	T
BRICK MASONRY	200 (8)
CAST-IN-PLACE CONCRETE	150 (6)
CONCRETE MASONRY UNIT	125 (5)
PRECAST REINFORCED CONCRETE SECTION	75 (3)

NOTE: THE FRAME AND LID IS REQUIRED ON ALL JUNCTION VAULTS.

ALL DIMENSIONS ARE IN MILLIMETERS (INCHES) UNLESS OTHERWISE NOTED.



REVISED 5-03-94