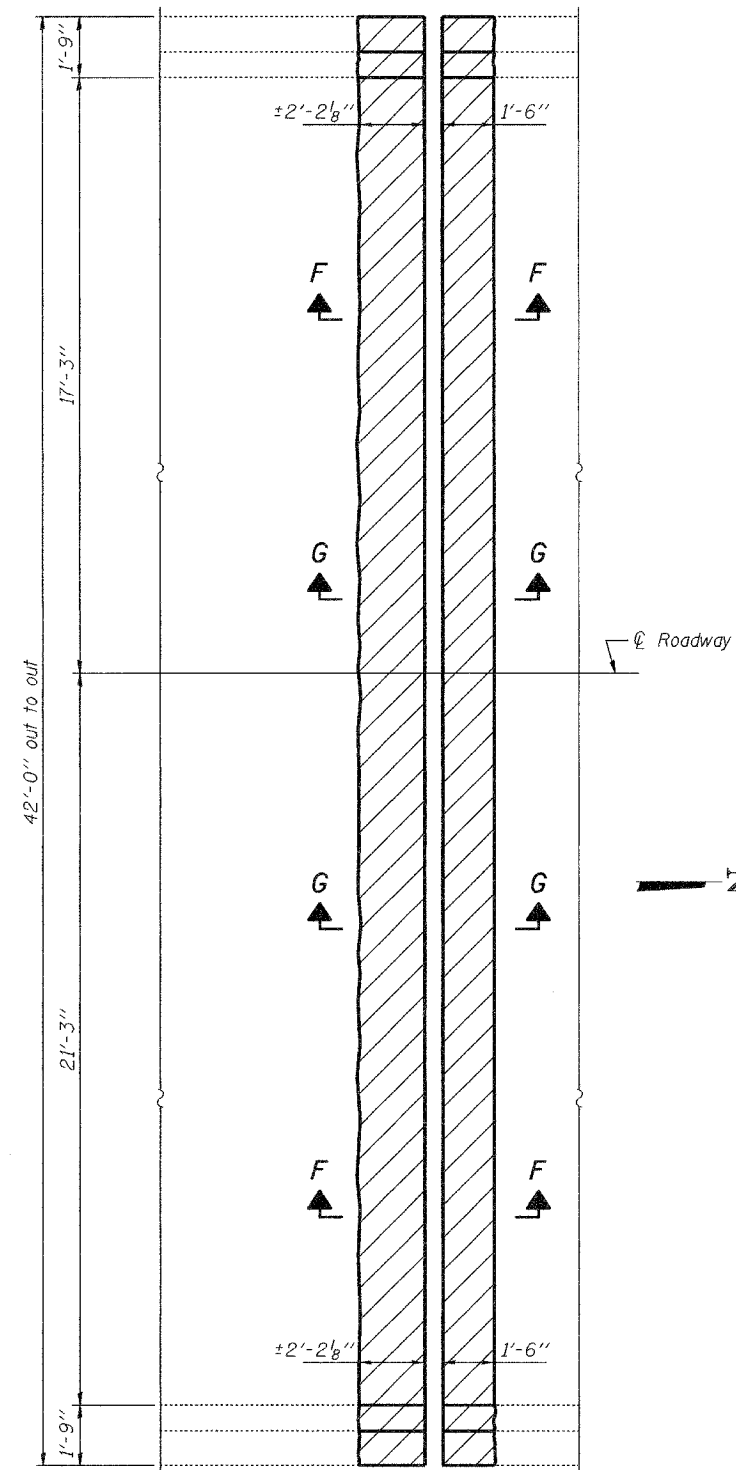


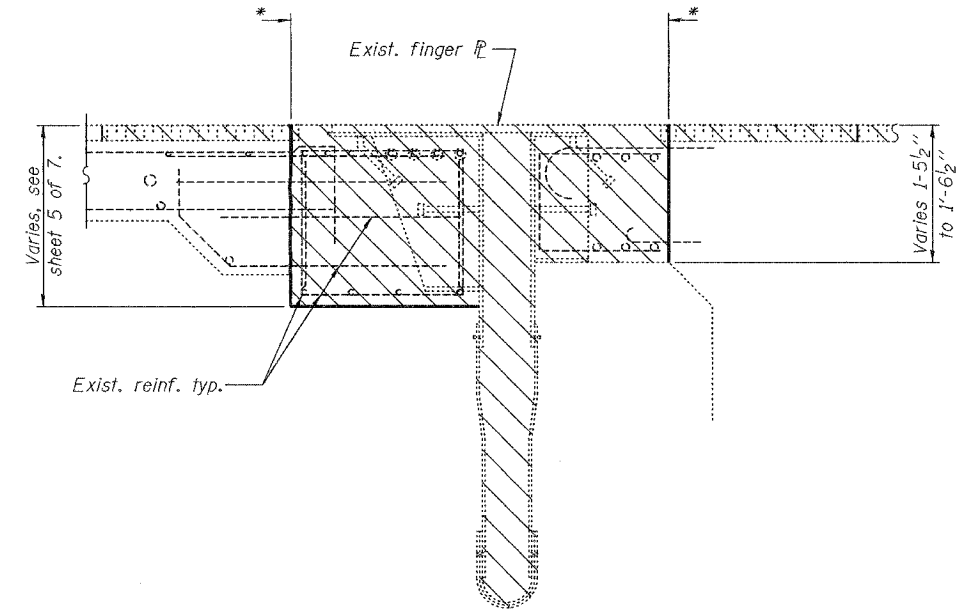
STATE OF ILLINOIS
DEPARTMENT OF TRANSPORTATION

ROUTE NO.	SECTION	COUNTY	TOTAL SHEETS	SHEET NO.	SHEET NO. 3
I-39		WINNEBAGO	40	30	7 SHEETS
FED. ROAD DIST. NO. 7	ILLINOIS	FED. AID PROJECT			

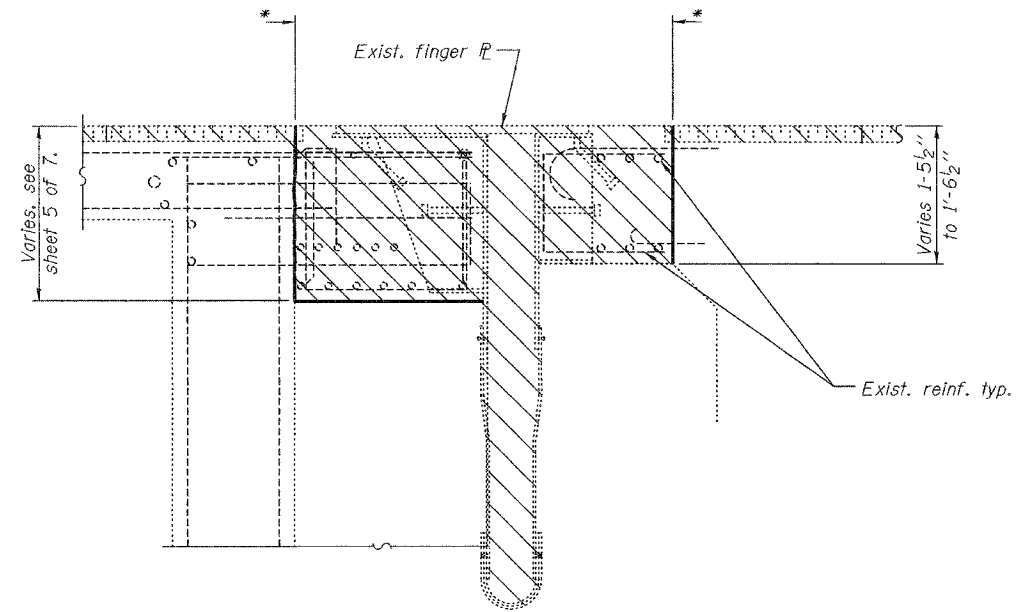
Contract #64857



PLAN AT NORTH ABUTMENT



SECTION F-F



SECTION G-G

Notes:
Hatched areas indicate removal.
Longitudinal reinforcement extending into removed area shall be cleaned, straightened and incorporated into the new construction.
* Perimeters of concrete removal shall be saw cut $\frac{3}{4}$ " prior to the removal of the concrete.
The cost of removing the existing finger plate assembly, trough and associated hardware is included with Concrete Removal.

DESIGNED	ATH
CHECKED	AJB
DRAWN	balva
CHECKED	ATH AJB

MARCH 16, 2007
EXAMINED *A. Carl Prosser*
REPAIR PLANS UNIT CHIEF
PASSED *Ralph E. Anderson*
ENGINEER OF BRIDGES AND STRUCTURES

BRIDGE REPAIRS
I-39 OVER KISHWAUKEE RIVER
WINNEBAGO COUNTY
STA. 2425+00
SN 101-0134(NB)