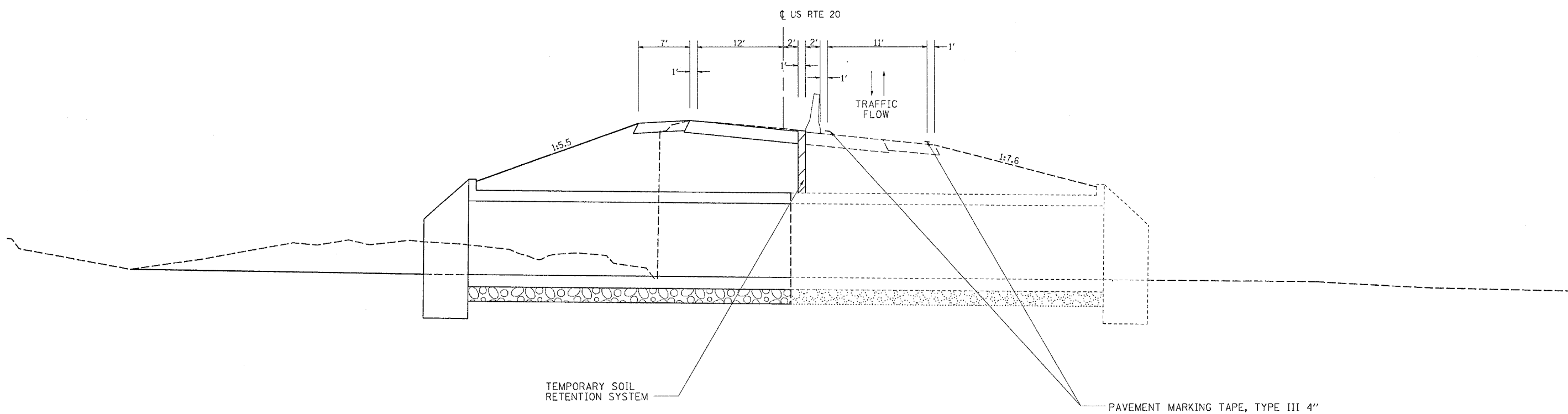


F.A.P. RTE.	SECTION	COUNTY	TOTAL SHEETS	SHEET NO.
301	211-J	STEPHENSON	64	16
STA.		TO STA.		
FED. ROAD DIST. NO.		ILLINOIS FED. AID PROJECT		

# STAGING TYPICALS



STAGE II

Drainage Area =		436 Acres		Existing Low Grade Elevation:		908.79 ft. @ Sta 376+36.		Proposed Low Grade Elevation:		908.79 ft. @ Sta 376+36.	
Flood	Frequency Year	Discharge cfs	Waterway Opening (sq ft)		Natural H.W.E	Head (ft)		Headwater Elev. (ft)			
			Existing	Proposed		Existing	Proposed	Existing	Proposed		
Ten-Year Design Base	10	236	54.7	42.6	904.35	0.07	0.21	904.42	904.56		
	50	364	56.6	44.5	904.51	0.11	1.34	904.62	905.85		
	100	417	58.6	46.4	904.67	0.70	1.67	905.37	906.34		
Max Calc	500	543	60.7	48.6	904.85	1.74	2.93	906.59	907.78		

10-Year Velocity through Existing Structure = 5.5 fps  
 10-Year Velocity through Proposed Structure = 10.6 fps

REVISIONS		ILLINOIS DEPARTMENT OF TRANSPORTATION
NAME	DATE	

SCALE: VERT. \_\_\_\_\_  
 HORIZ. \_\_\_\_\_

DRAWN BY \_\_\_\_\_  
 CHECKED BY \_\_\_\_\_

## STAGING TYPICALS

PLOT DATE = Tue Jan 16 10:59:52 2007  
 FILE NAME = S:\projects\021105\1105\1105.dgn  
 PLOT SCALE = 1" = 10'-0"  
 USER NAME = rnkshaj