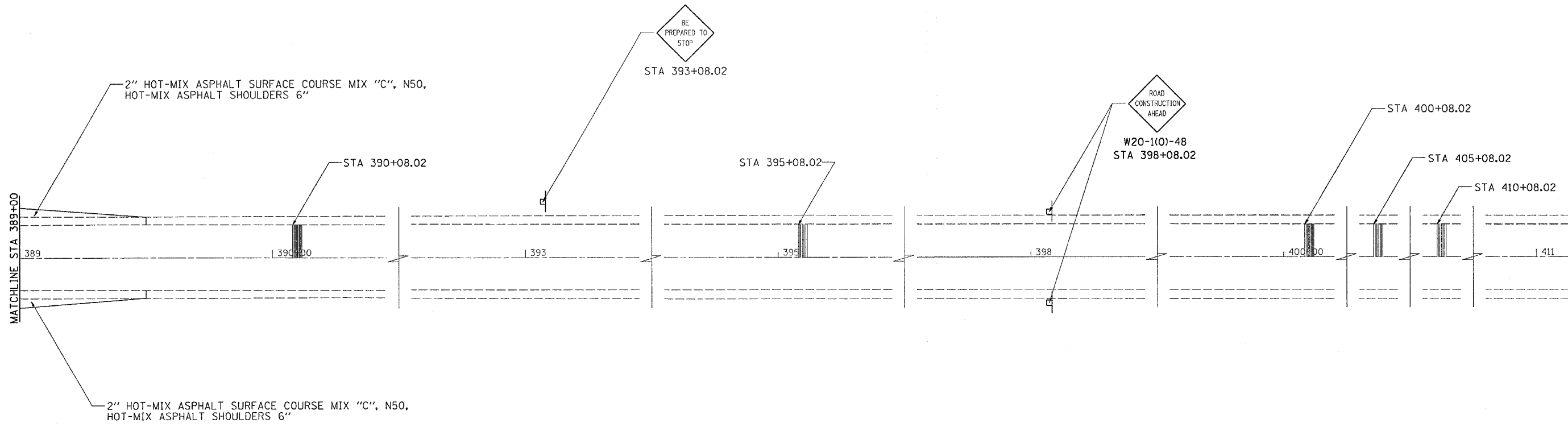





# STAGE II

CONTRACT NO. 64B48				
F.A.P. RTE.	SECTION	COUNTY	TOTAL SHEETS	SHEET NO.
30L	21I-J	STEPHENSON	64	26
STA. 389+00		TO STA. 411+00		
FED. ROAD DIST. NO.	ILLINOIS	FED. AID PROJECT		



SEE HIGHWAY STANDARDS 701321-08, & 704001-03 FOR OTHER DEVICES NOT SHOWN

-  TEMPORARY RUMBLE STRIP
-  DRUM WITH STEADY BURNING LIGHT
-  TRAFFIC SIGNAL

REVISIONS	
NAME	DATE

ILLINOIS DEPARTMENT OF TRANSPORTATION

SCALE: VERT. \_\_\_\_\_  
 HORIZ. \_\_\_\_\_

DATE \_\_\_\_\_

DRAWN BY \_\_\_\_\_  
 CHECKED BY \_\_\_\_\_

PLOT DATE = Tue Jan 16 10:59:38 2007  
 PLOT SCALE = 1" = 20' (0.000172414)  
 USER NAME = rnkneal