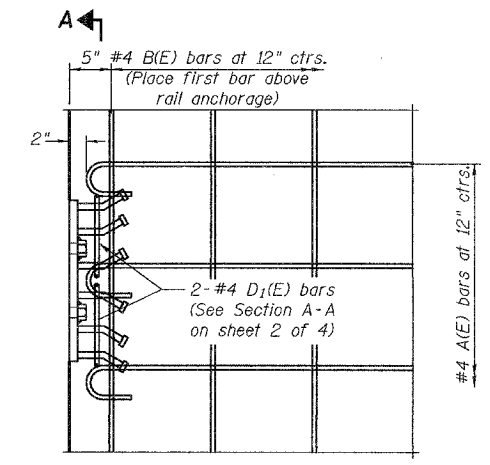


See typical section on sheet 14 of 15 for dimensions, strand pattern and bar callouts not shown.
 The rail anchorage shall be cast with the beam and the wearing surface be cast in the field. Formwork necessary for the wearing surface may be secured utilizing the bottom rail anchorage inserts and/or additional inserts cast into the beam. Drilling into the beam will not be permitted.



Bill of Material

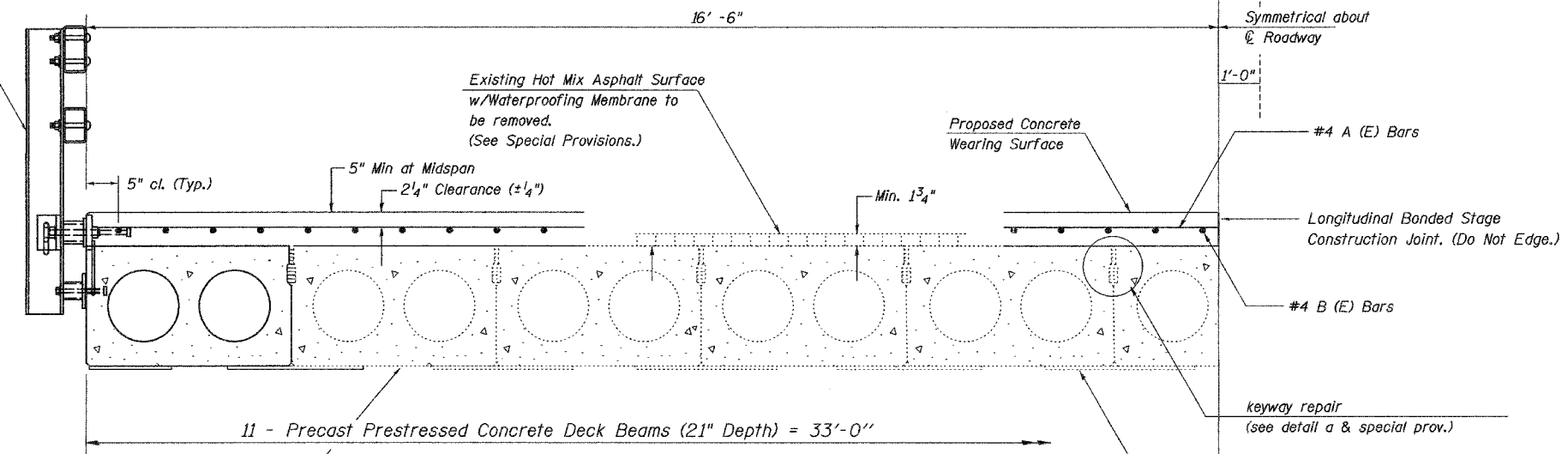
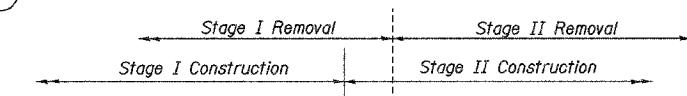
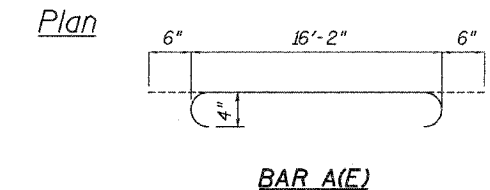
BAR	NO.	SIZE	LENGTH	SHAPE
A (E)	110	4	17' - 2"	U
A ₁ (E)	3	5	13' - 3"	U
A ₂ (E)	3	5	4' - 3"	U
B (E)	68	4	27' - 9"	U
H (E)	12	6	16' - 2"	U
U (E)	34	5	4' - 8"	U

HMA SUR REM COMPLETE	SQ YD	106
CONC WEARING SURF 5"	SQ YD	199
BR DECK GROOVING	SQ YD	186
CONC SUPERSTRUCTURE	CU YD	3.6
CONC REM	CU YD	3.1
F & E STRUCT STEEL	POUND	450
REINF BARS, EPOXY CTD	POUND	3030
KEYWAY REPAIR	FT	266
DOWEL REPAIR	EA	12
BEARING PAD ADJUSTMENT	EA	12
SILICONE JOINT SEALER	FT	33
PROTECTIVE COAT	SQ YD	199
BAR SPLICERS	EA	64
POLYMER CONCRETE	CU FT	2.4

REINFORCEMENT BARS DESIGNATED (E) SHALL BE EPOXY COATED.
 BARS INDICATED THUS 34X3-#4 BARS INDICATES 34 LINES OF BARS WITH 3 LENGTHS PER LINE.

Deck Plan and Cross Section
 Illinois Route 72 over Tributary to Mud Creek
 FAP Route 549
 Section 117BR-M
 Ogle County
 Structure No. 071-0068

Remove, Clean, and Reset existing nameplate on new bridge rail. Cost Included with Steel Railing, Type SM
 Remove existing Steel Bridge Rail. Replace with new Steel Railing, Type SM



Fill openings surrounding fabric bearing pads west abutment with epoxy grout. To be paid for as bearing pad adjustment. (See special provisions)

HALF CROSS SECTION (Looking East)

The contractor shall install 1/8" x 9" x 9" stainless steel shims at bearing pads, where required on east abutment. To be paid for as bearing pad adjustment. (See special provisions.)

note: The quantity given for keyway repair includes the full length of all keyways. The actual keyway repair locations shall be determined by the engineer after removal of the existing wearing surface.

DATE = 05/11/06
 DRAWN BY = JMM
 CHECKED BY = JMM
 PLOT SCALE = 1/8" = 1'-0"
 USER NAME = JMM