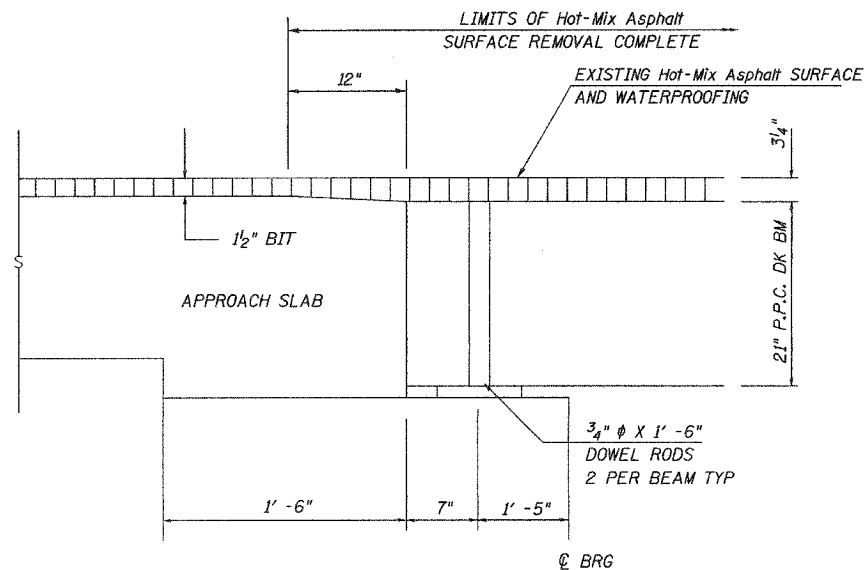
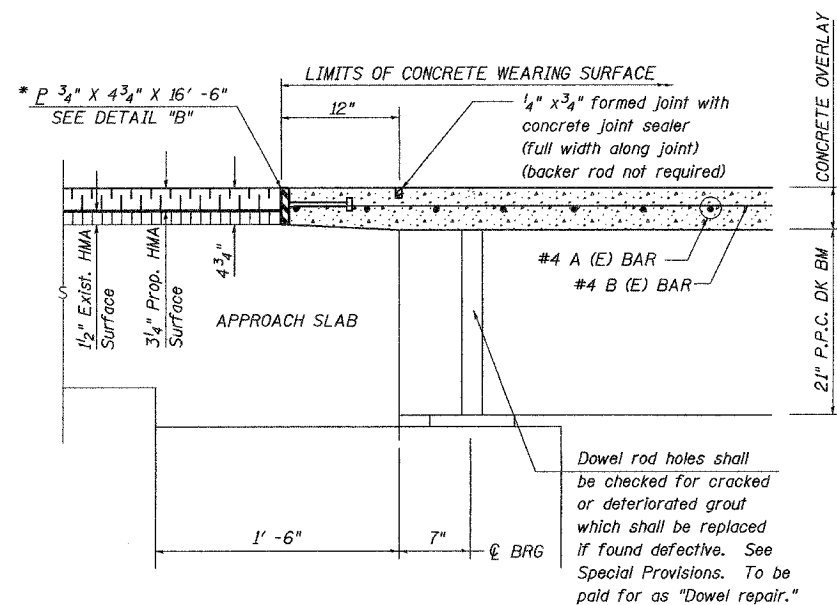


F.A.P. RTE.	SECTION	COUNTY	TOTAL SHEETS	SHEET NO.
549	117BR-M	Ogle	15	10
STA. _____ TO STA. _____		ILLINOIS FED. AID PROJECT		

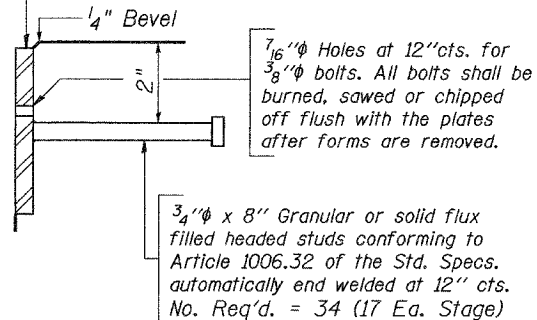


EXISTING SECTION THRU WEST ABUTMENT



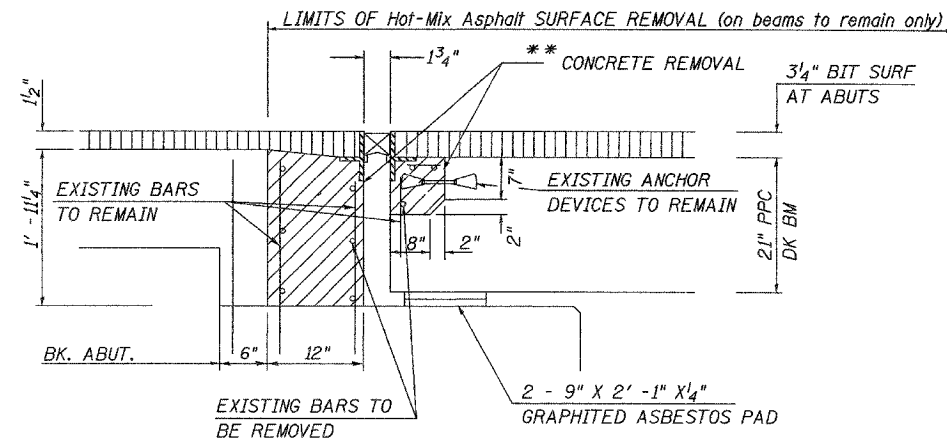
PROPOSED SECTION THRU WEST ABUTMENT

\*  $P$   $3/4$ " x  $4 3/4$ "  
Fabricate to crown for stage construction. Max. space between segments shall be  $3/16$ ". Seal space with Silicone Sealant suitable for structural steel.



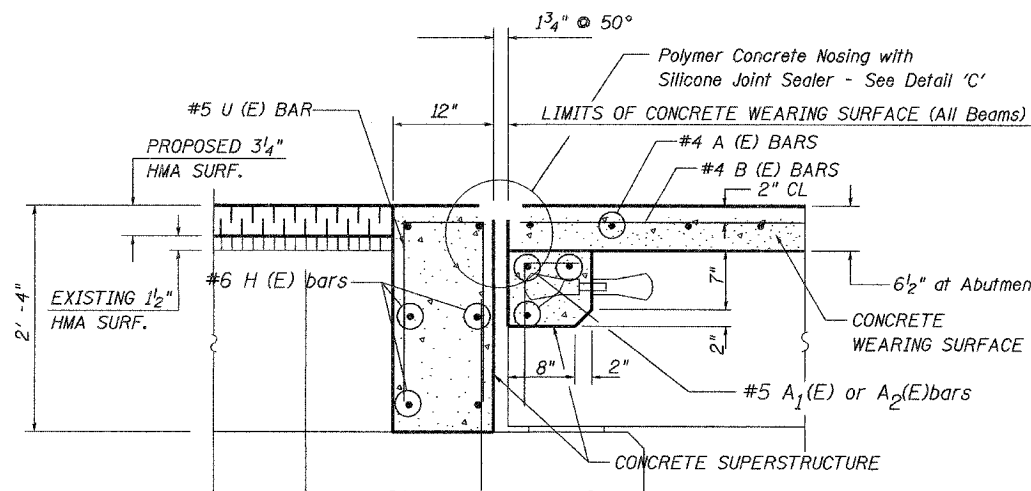
DETAIL "B"

\*\* Note: The contractor shall use extreme care during concrete removal so as not to damage the PPC Deck Beams



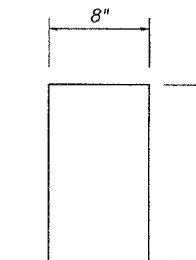
EXISTING SECTION THRU EAST ABUTMENT (EXPANSION)

Note: Existing reinforcement bars & coil loop anchor devices extending into the removal areas shall be cleaned, straightened and incorporated into the new construction. any reinforcement bars or coil loops that are damaged during concrete removal shall be replaced with approved bar splicer or anchorage system. Cost included with concrete removal.



PROPOSED SECTION THRU EAST ABUTMENT (EXPANSION)

(Section at beams to remain)



#5 U (E) BAR

DETAIL "C"

Joint Details  
 Illinois Route 72 over Tributary to Mud Creek  
 FAP Route 549  
 Section 117BR-M  
 Ogle County  
 Structure No. 071-0068