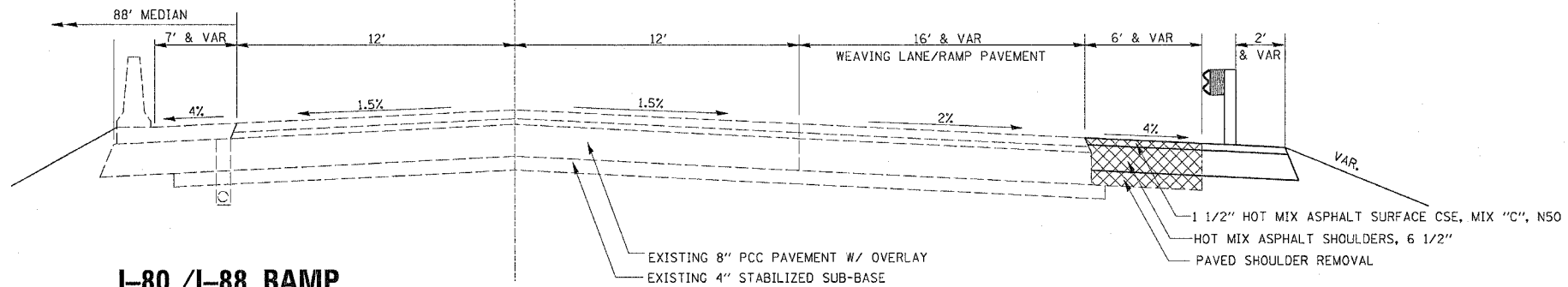


F.A.I. RTE.	SECTION	COUNTY	TOTAL SHEETS	SHEET NO.
80	(81-1) M-4	ROCK ISLAND	33	6
STA.		TO STA.		
FED. ROAD DIST. NO.		ILLINOIS FED. AID PROJECT		

TYPICAL SECTIONS

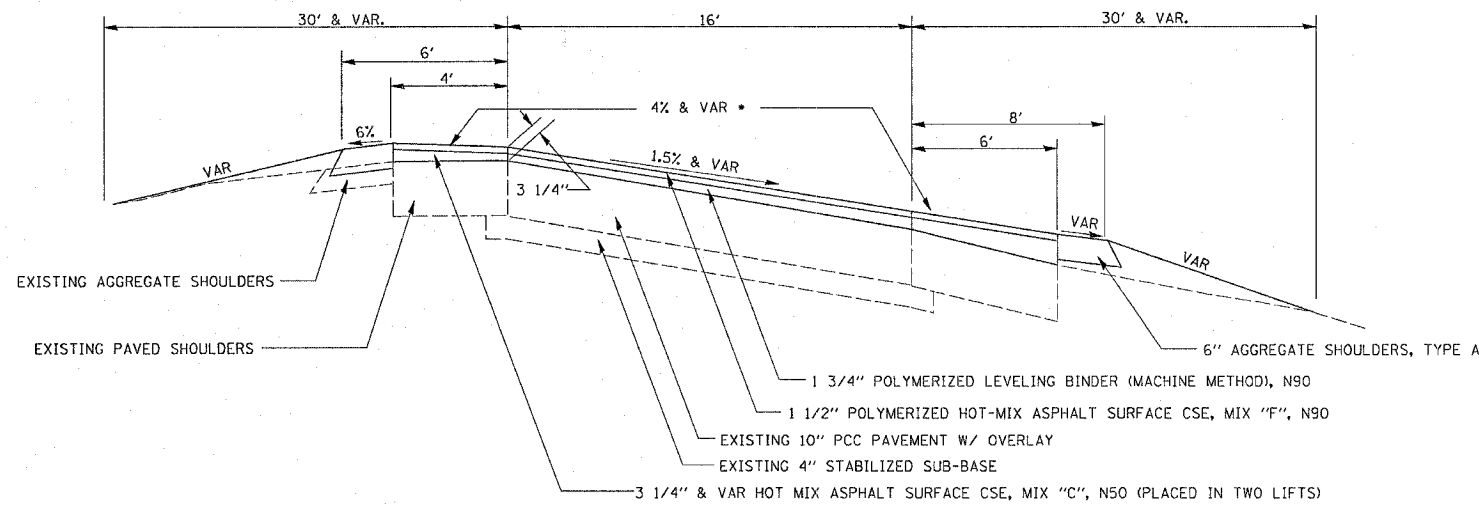
180 / I-88 WEAVING LANE / RAMP PAVEMENT

STA 826+50 - 827+45
 EB I-88



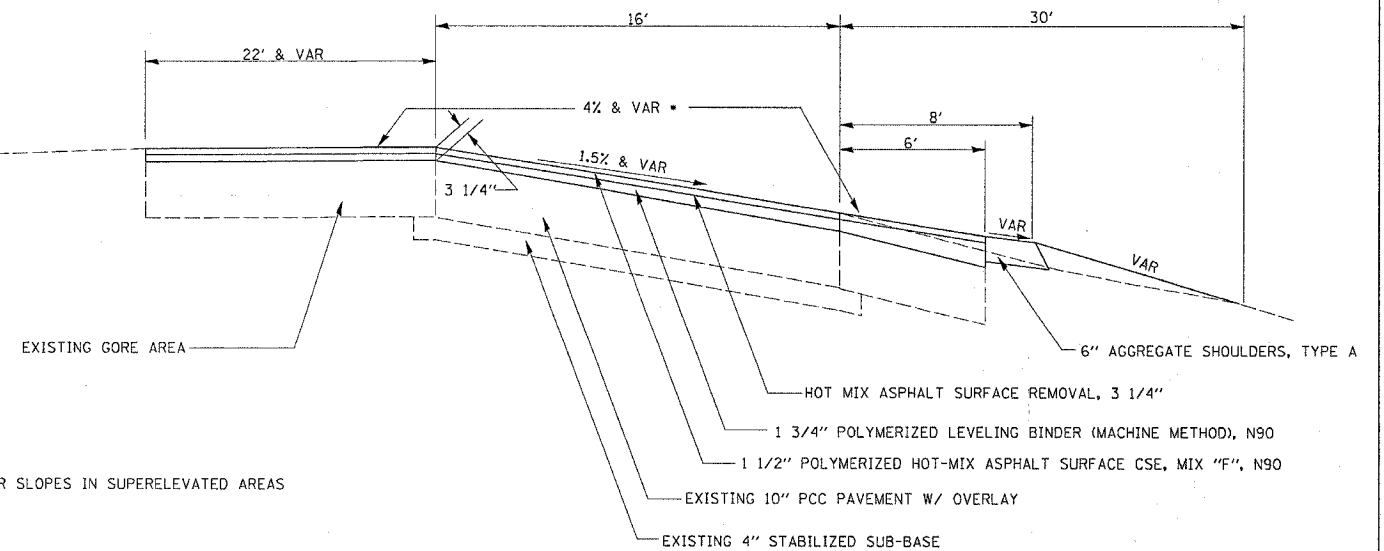
I-80 / I-88 RAMP

STA 1034+25 - 1048+35



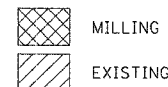
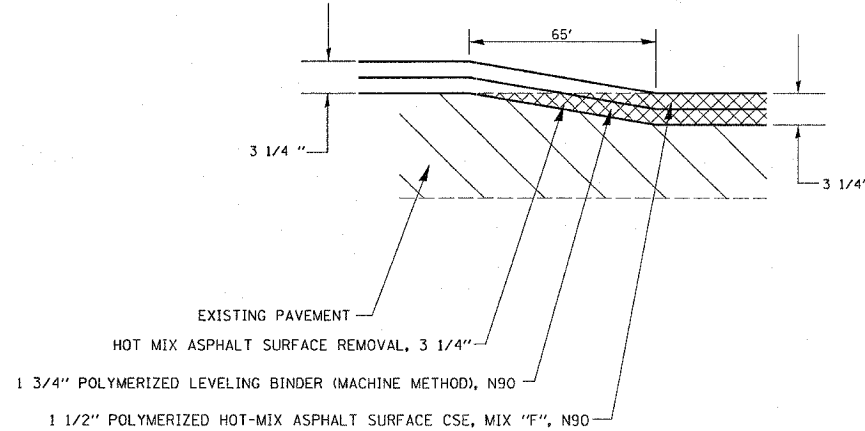
I-80 / I-88 RAMP

STA 1034+25 - 1035+60
 STA 1047+35 - 1048+35



TYPICAL TAPER

180 / I88
 STA 1035+60 - 1036+25
 STA 1046+70 - 1047+35



* SEE HIGHWAY STANDARD 482001-01 FOR SHOULDER SLOPES IN SUPERELEVATED AREAS

PLT DATE = Thu, Jan 25 15:45:23 2007
 USER NAME = gcrantpm
 PLOT SCALE = 200/8000 = 1/40"
 PLOT SIZE = 11.00 x 17.00 in.