

F.A.I. RTE.	SECTION	COUNTY	TOTAL SHEETS	SHEET NO.
80	(81-1) M-4	ROCK ISLAND	33	7
STA.		TO STA.		
FED. ROAD DIST. NO.		ILLINOIS FED. AID PROJECT		

HORIZONTAL & VERTICAL CONTROL

Chain 180 contains:
1 CUR 200 CUR 210 CUR 220 CUR 230 CUR 240 CUR 1250 31

Beginning chain 180 description

Point 1 N 1,791,139.65 E 2,241,631.95 Sta 16+69.53

COURSE FROM 1 TO PC 200 155° 22' 53.34" DIST 4,558.47'

Curve Data

Curve 200

P.I. Station 80+65.81 N 1,785,324.77 E 2,244,296.48

DELTA = 35° 33' 54.23" (LT)

DEGREE = 0° 59' 59.66"

Tangent = 1,837.81'

Length = 3,556.85'

Radius = 5,730.12'

External = 287.51'

Long Chord = 3,500.02'

Mid. Ord. = 273.77'

P.C. Station 62+28.00 N 1,786,995.53 E 2,243,530.89

P.T. Station 97+84.85 N 1,784,410.97 E 2,245,891.01

C.C. N 1,789,382.56 E 2,248,740.16

COURSE FROM PT 200 TO PC 210 119° 48' 59.11" DIST 394.55'

Curve Data

Curve 210

P.I. Station 130+30.99 N 1,782,796.91 E 2,248,707.44

DELTA = 60° 16' 18.85" (RT)

DEGREE = 1° 09' 59.07"

Tangent = 2,851.60'

Length = 5,167.31'

Radius = 4,912.16'

External = 767.71'

Long Chord = 4,932.33'

Mid. Ord. = 663.94'

P.C. Station 101+79.39 N 1,784,214.79 E 2,246,233.33

P.T. Station 153+46.70 N 1,779,945.32 E 2,248,703.04

C.C. N 1,779,952.89 E 2,243,790.89

COURSE FROM PT 210 TO PC 220 180° 05' 17.95" DIST 14,136.34'

Curve Data

Curve 220

P.I. Station 303+88.83 N 1,764,903.21 E 2,248,679.86

DELTA = 17° 57' 30.84" (LT)

DEGREE = 0° 59' 58.26"

Tangent = 905.79'

Length = 1,796.72'

Radius = 5,732.34'

External = 71.12'

Long Chord = 1,789.38'

Mid. Ord. = 70.25'

P.C. Station 294+83.04 N 1,765,809.00 E 2,248,681.25

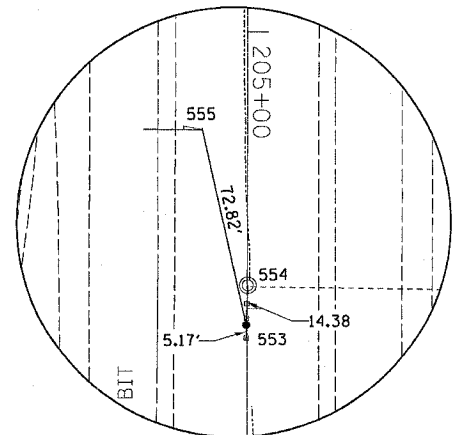
P.T. Station 312+79.76 N 1,764,041.12 E 2,248,957.81

C.C. N 1,765,800.16 E 2,254,413.59

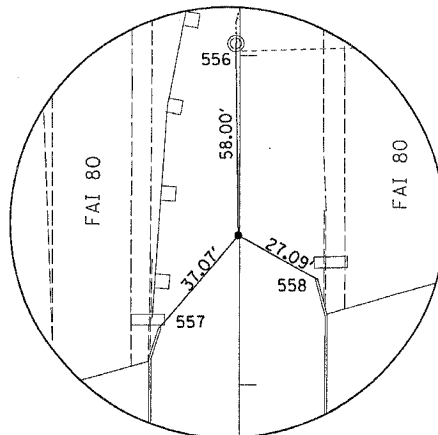
COURSE FROM PT 220 TO PC 230 162° 07' 47.12" DIST 726.72'

CURVE POINT NUMBERS				
CURVE	PI	CC	PC	PT
200	200	201	202	203
210	210	211	212	213
220	220	221	222	223

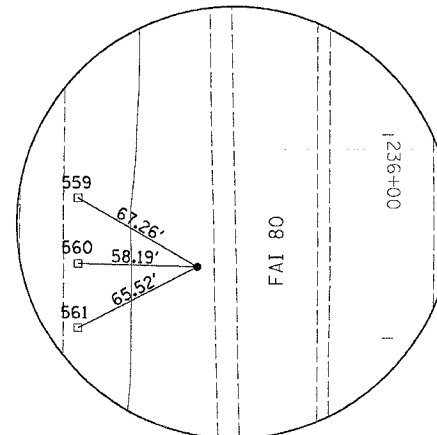
EQUATION
 IL5 Sta 832+25.3771 BK =
 I-88 Sta 0+00.0000 AH



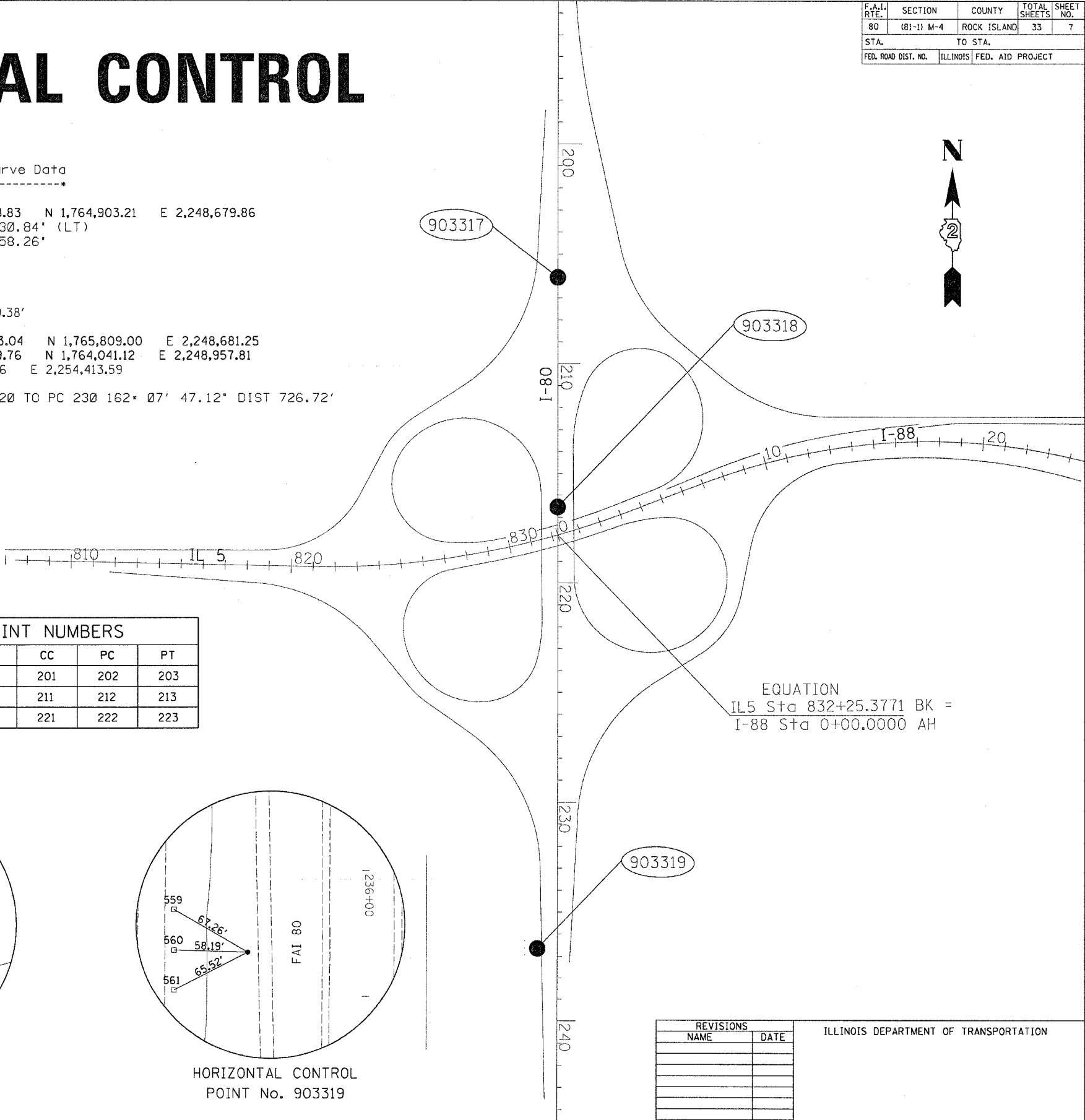
HORIZONTAL CONTROL
POINT No. 903317



HORIZONTAL CONTROL
POINT No. 903318



HORIZONTAL CONTROL
POINT No. 903319



REVISIONS		ILLINOIS DEPARTMENT OF TRANSPORTATION
NAME	DATE	
		SCALE: VERT. _____ HORIZ. _____ DATE _____
		DRAWN BY _____ CHECKED BY _____

PLT DATE: Thu Jan 25 15:45:25 2007
 FILE NAME: C:\projects\2072465\072465.dgn
 USER NAME: granton