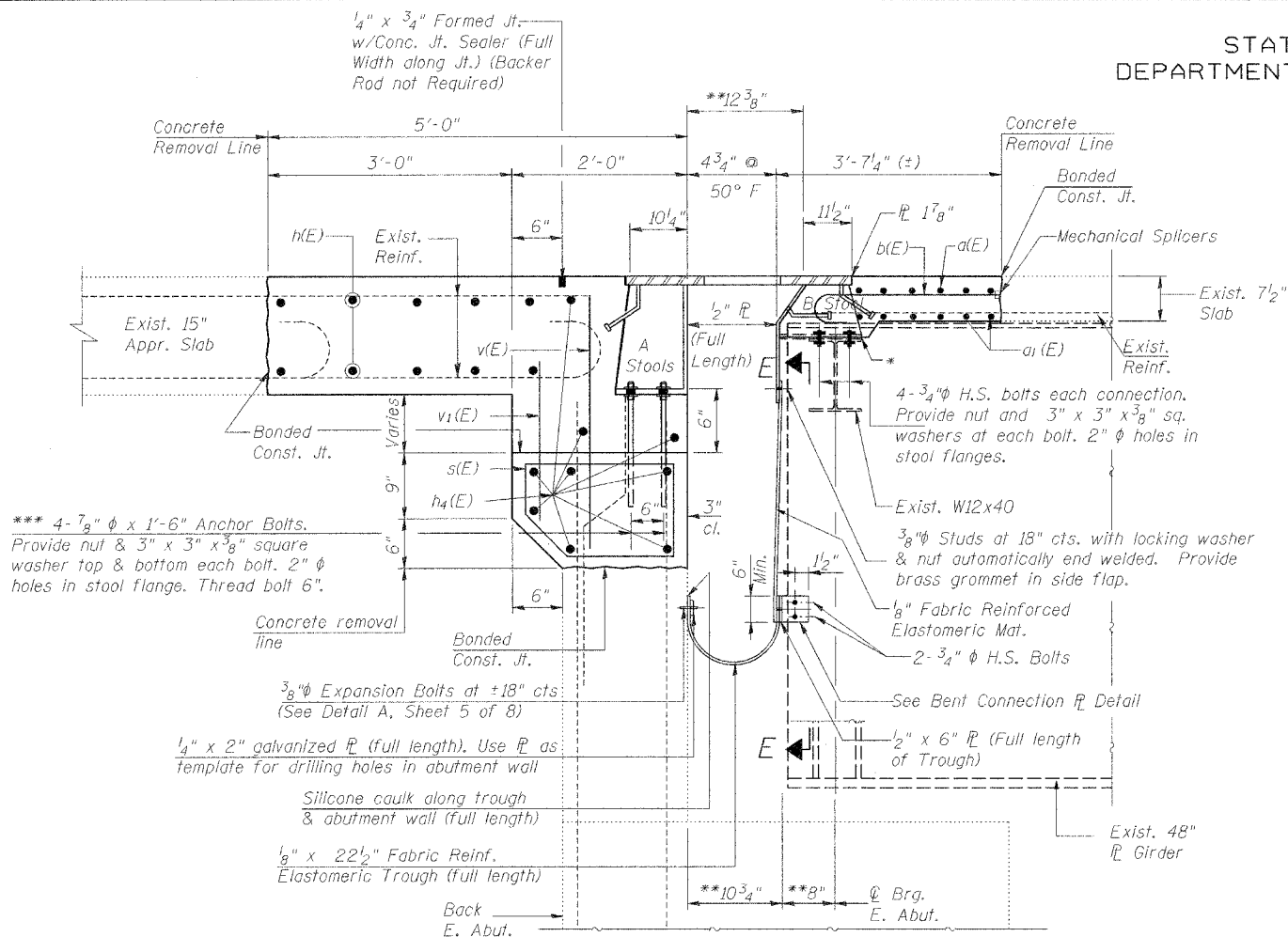


STATE OF ILLINOIS
DEPARTMENT OF TRANSPORTATION

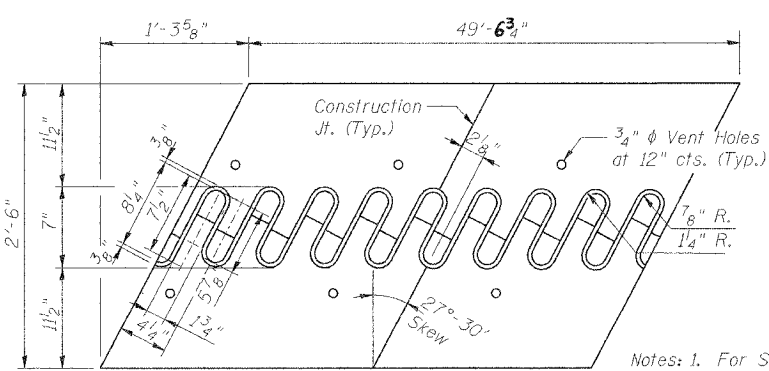
ROUTE NO.	SECTION	COUNTY	TOTAL SHEETS	SHEET NO.	SHEET NO. 3 8 SHEETS
U.S. 20	(177-2BIM)	STEPHENSON COUNTY	11	5	
FED. ROAD DIST. NO. 7 ILLINOIS FED. AID PROJECT- CONTRACT # 64001					



SECTION B-B

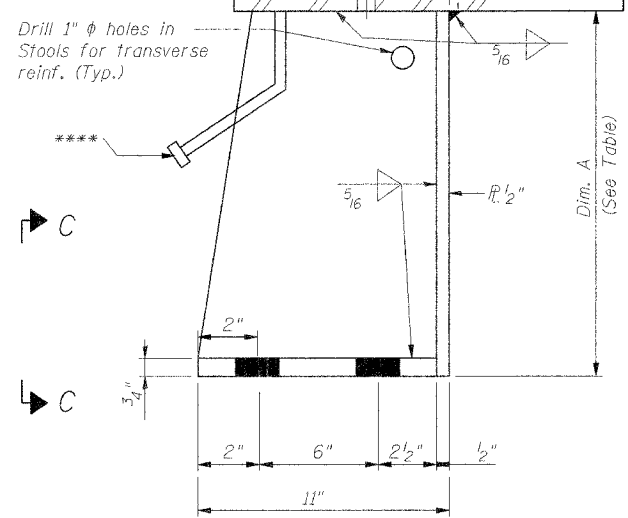
TABLE FOR DIMENSION A & B

Stool No.	Dim. A (in)	Stool No.	Dim. B (in)
A1	12 1/4"	B1	6 1/4"
A2	12 1/2"	B2	10 3/4"
A3	12 3/8"	B3	11"
A4	13 1/4"	B4	11 1/4"
A5	13 1/2"	B5	11 5/8"
A6	13 3/4"	B6	6 1/4"
A7	14"	B7	10 5/8"
A8	14 1/4"	B8	10 3/8"
A9	14 3/8"	B9	11"
A10	14 1/2"	B10	11 1/4"
A11	14 3/4"	B11	6 1/4"
A12	14 7/8"	B12	11 1/4"
A13	15 1/8"	B13	11 1/2"
A14	15 1/4"	B14	11 1/4"
A15	14 7/8"	B15	10 7/8"
A16	14 3/8"	B16	6 1/4"
A17	14"	B17	12 1/4"
A18	13 5/8"	B18	11 7/8"
A19	13 1/2"	B19	11 1/2"
A20	12 3/4"	B20	11"
A21	12 1/4"	B21	6 3/8"
A22	11 3/4"	B22	12 5/8"
A23	11 1/4"	B23	12 1/8"
A24	10 3/4"	B24	11 5/8"
A25	10 1/4"	B25	11"
A26	9 5/8"	B26	6 3/8"
A27	9 1/8"		

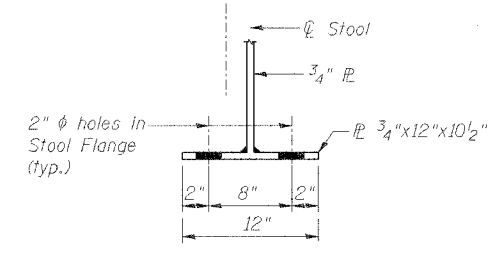


FLAME CUTTING DIAGRAM

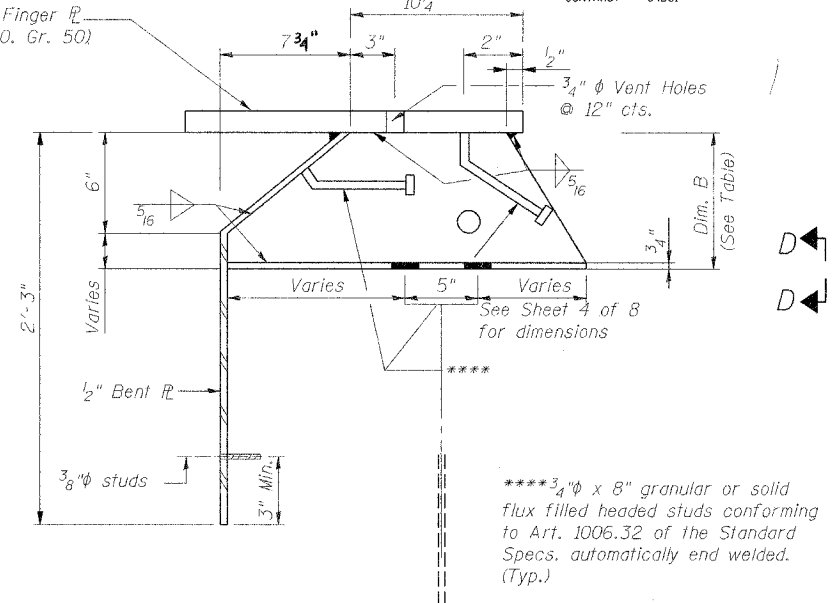
Cut from
1/8" x 2'-6" x 50'-10 3/8" (M270-Gr. 50)



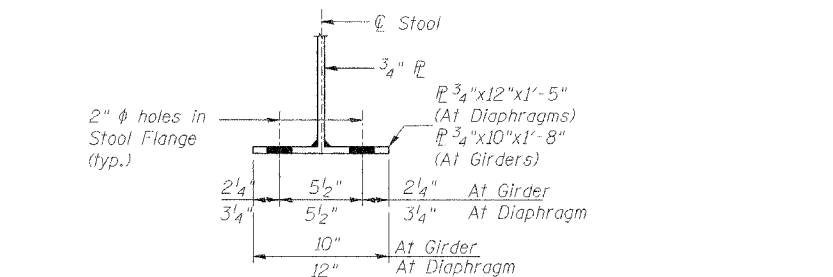
A-STOOLS



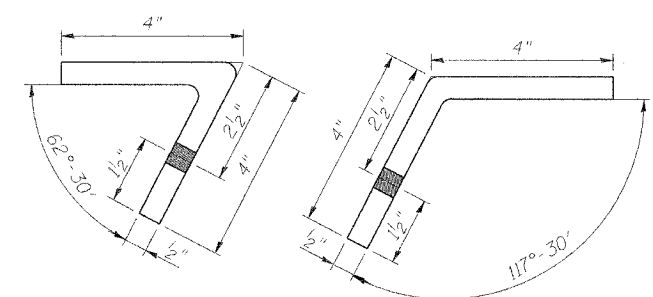
VIEW C-C



B-STOOLS



VIEW D-D



BENT CONNECTION REINFORCEMENT DETAILS

- * Provide 1/2" normal shim, two 1/4" shims, one 1/8" shim and one 1/16" shim for height adjustment. Tapered shims shall be added under the stools as required by the Engineer to make a smooth finger joint. Cost shall be included in the cost of Finger Plate Expansion Joint, 3".
- ** Measured along centerline of girder
- *** The contractor may use at his option, the capsule or the adhesive cartridge type anchor rods that have been previously tested and given a prior approval by the Department. The contractor shall install these anchor rods in pre-drilled holes (9" Min. depth) according to the manufacturer's recommendations and procedures.

The capsule or the adhesive cartridge type anchor rods shall be a two part system composed of:

1. A threaded rod stud with nut and washer of the type specified.
2. A sealed glass capsule or a sealed glass adhesive cartridge containing premeasured amounts of the adhesive chemical.

The anchor bolts, furnished and installed and including the epoxy grout or capsules shall not be paid for separately but shall be included in the unit bid price for Finger Plate Expansion Joint, 3".

DESIGNED	M.R./R.A.
CHECKED	H.T.
DRAWN	J.S.P.
CHECKED	H.T./M.R.

- Notes: 1. For Stool Locations, See Sheet 4 of 8
2. For View E-E, See Sheet 5 of 8
3. Existing shear studs that interfere with the finger plate stools shall be removed using the air-arc method and grind smooth all weld material remaining on the top flange. Cost included with Finger Plate Expansion Joint, 3".

JOINT DETAILS - 1 OF 2

US 20 OVER PECATONICA RIVER
FAP ROUTE 301 (US20), SECTION (177-2BIM)
STEPHENSON COUNTY
STATION 539+14.00
STRUCTURE NO. 089-0045

SCALE: NONE DATE: JANUARY, 2007

Soodan & Associates, Inc.
100 North LaSalle Street, Suite 1800
Chicago, Illinois 60602