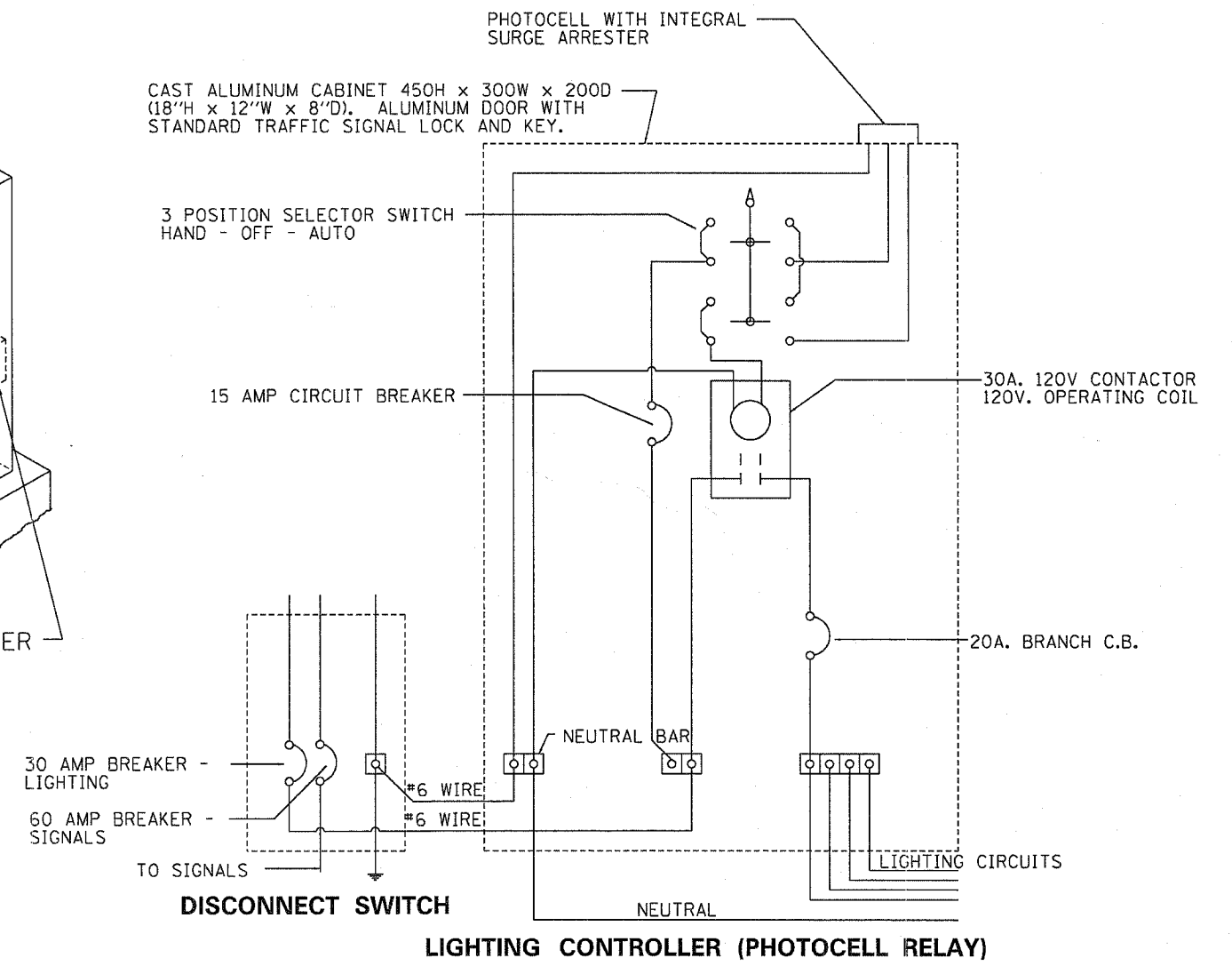
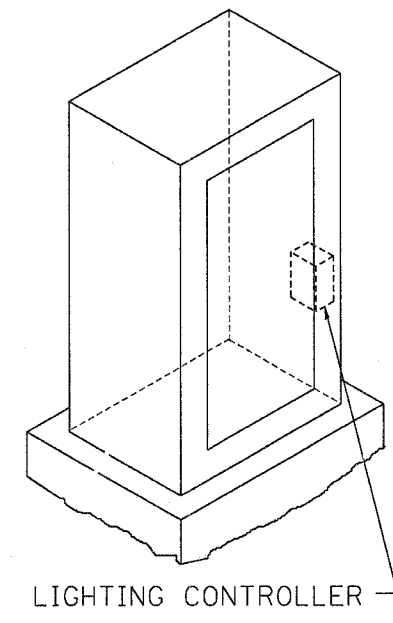
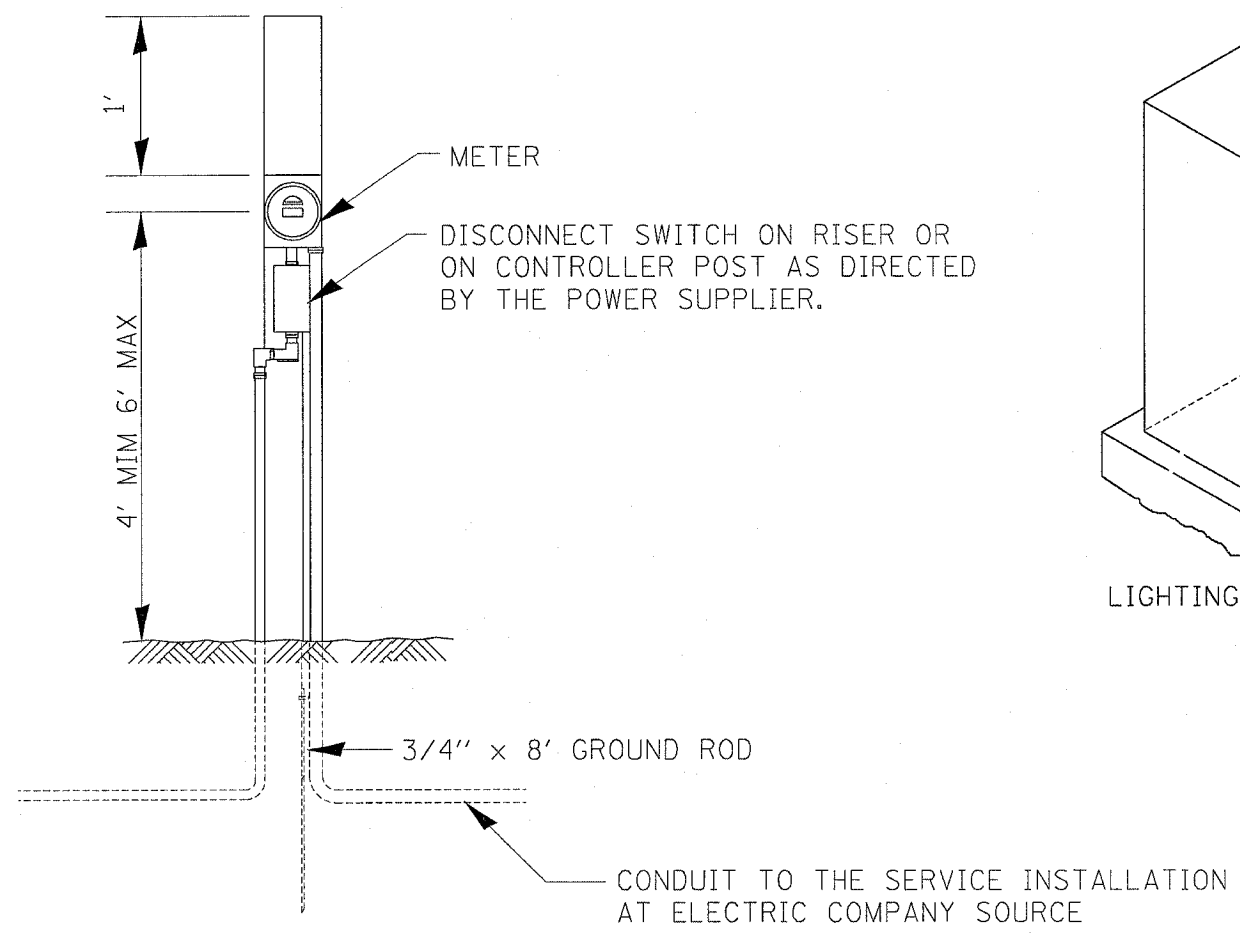


F.A.P. RTE.	SECTION	COUNTY	TOTAL SHEETS	SHEET NO.
738	4TS-4	WINNEBAGO	7	7
STA.		TO STA.		
FED. ROAD DIST. NO.	ILLINOIS	FED. AID PROJECT		

SERVICE AND CABINET DETAILS



ELECTRIC SERVICE INSTALLATION, TYPE A
 (SEE SPECIAL PROVISIONS)
 (DETAIL ONLY SHOW GENERAL SERVICE
 WHICH VARIES BY PROVIDERS)

PLOT DATE: Wed Feb 07 08:16:01 2007
 FILE: C:\Users\jill\Documents\Projects\11 251 e FOREST HILLS\forest hills plan sheet.dgn
 PLOT SCALE: 20.0000 / IN.
 USER NAME: jill1

REVISIONS		ILLINOIS DEPARTMENT OF TRANSPORTATION
NAME	DATE	
		SCALE: VERT. HORIZ. DATE
DRAWN BY		CHECKED BY