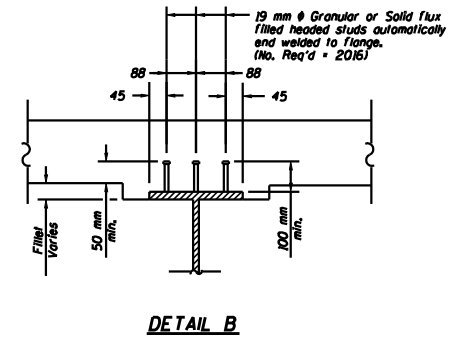
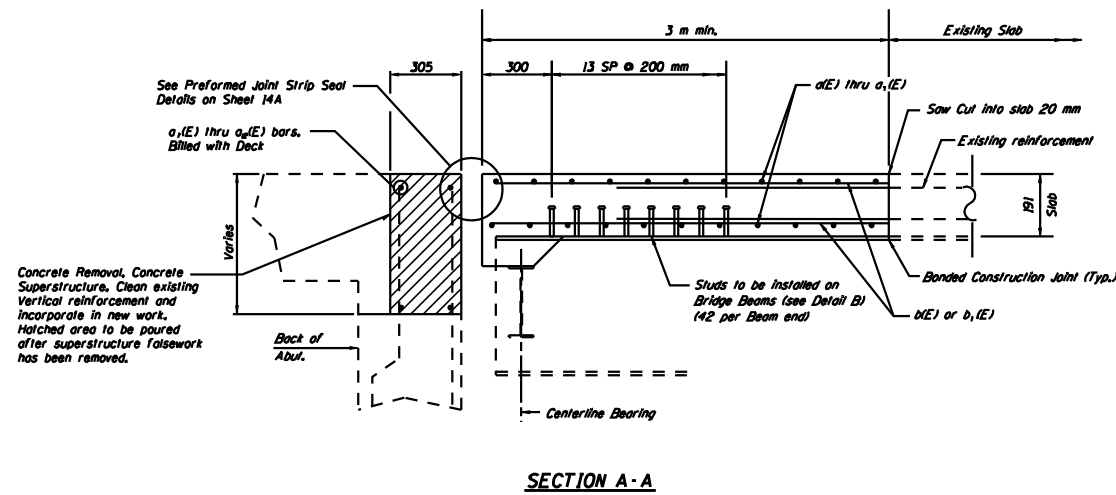


| | | | | |
|-----------------------|---------|------------|------------------|-----------|
| ROUTE NO. | SECTION | COUNTY | SHEET NO. | SHEET NO. |
| FAJ 55 | | MCLEAN | 87 | 74 |
| FED. ROAD DIST. NO. 7 | | ILL. HIGH. | FED. AID PROJECT | |

14A SHEETS

• (57-4)RS-3 & 1



All dimensions are in millimeters (mm) except as noted.

| | |
|----------|-----|
| DESIGNED | GAE |
| CHECKED | JDA |
| DRAWN | NO |
| CHECKED | GAE |

EXPANSION JOINT REPLACEMENT DETAILS
 F.A.I. 55 OVER CONSTITUTION TRAIL
 SECTION (57-4)RS-3 & 1
 MCLEAN COUNTY
 SN 057-0026 (NB)
 SN 057-0027 (SB)
 STA. 38+263.167