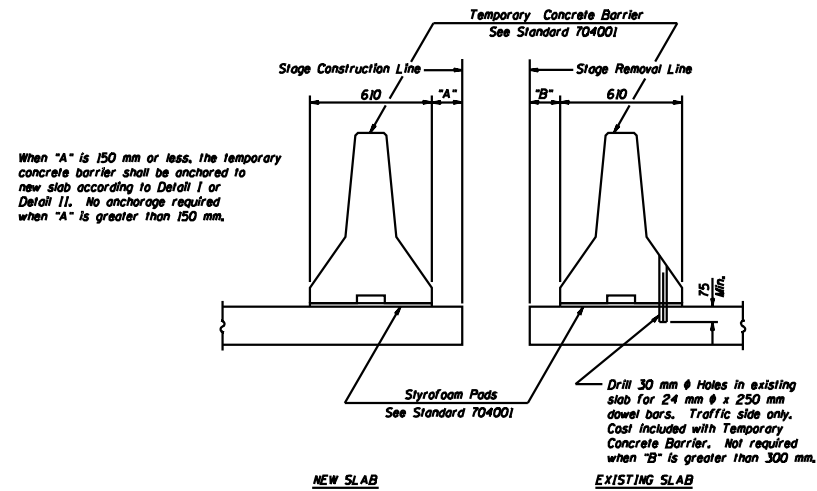


ROUTE NO.	SECTION	COUNTY	POST MILE	POST MILE	SHEET NO. 13
FAI 55	*	MCLEAN	87	81	14A SHEETS
FED. ROAD DIST. NO. 7		ILL. HIGH.	FED. AID PROJECT		

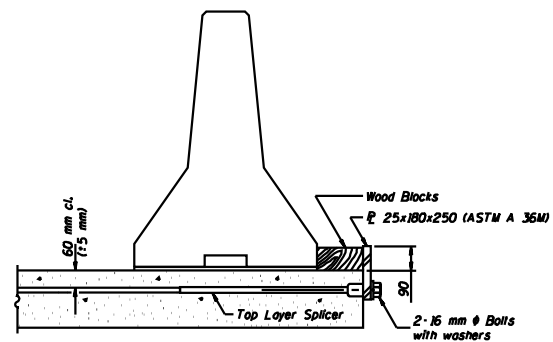
* (57-4)RS-3 & 1



SECTIONS THRU SLAB

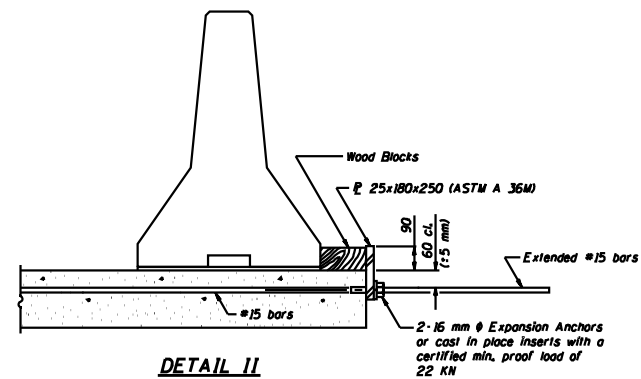
NOTES

- Detail I - With Bar Splicer or Couplers:**
Connect one (1) 25x180x250 steel \bar{P} to the top layer of couplers with 2-16 mm ϕ bolts screwed to coupler at approximate \bar{E} of each 3 m barrier panel.
- Detail II - With Extended Reinforcement Bars:**
Connect one (1) 25x180x250 steel \bar{P} to the concrete slab with 2-16 mm ϕ Expansion Anchors or cast in place inserts spaced between the top layer of reinforcement at approximate \bar{E} of each 3 m barrier panel.
- Cost of anchorage included with Temporary Concrete Barrier. All dimensions are in millimeters (mm) except as noted.



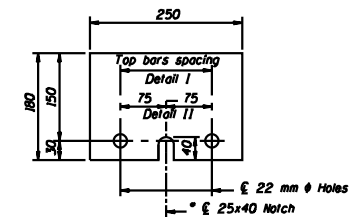
DETAIL I

The 25x180x250 Plate shall not be removed until Stage II Construction forms and reinforcement bars are in place.



DETAIL II

The 25x180x250 Plate shall not be removed until Stage II Construction forms and all reinforcement bars are in place and the concrete is ready to be placed.



\bar{P} 25x180x250

* Required only with Detail II

DESIGNED	GAE
CHECKED	JDA
DRAWN	NO
CHECKED	GAE

R-27 (M) 4-80-99

TEMPORARY CONCRETE BARRIER
F.A.I. 55 OVER CONSTITUTION TRAIL
SECTION (57-4)RS-3 & 1
MCLEAN COUNTY
SN 057-0026 (NB)
SN 057-0027 (SB)
STA. 38+263.167