

F.A.I. RTE.	SECTION	COUNTY	TOTAL SHEETS	SHEET NO.
57&74	*	**	151	40

* D5 CABLE GUARD 2007-2
** CHAMPAIGN, DEWITT & DOUGLAS

INLET BOX HEADWALL AND SIDEWALL MODIFICATION LT STA 194+85

NOTES

All edges shall have standard $\frac{3}{4}$ " chamfers.

CLASS SI CONCRETE shall be used throughout.

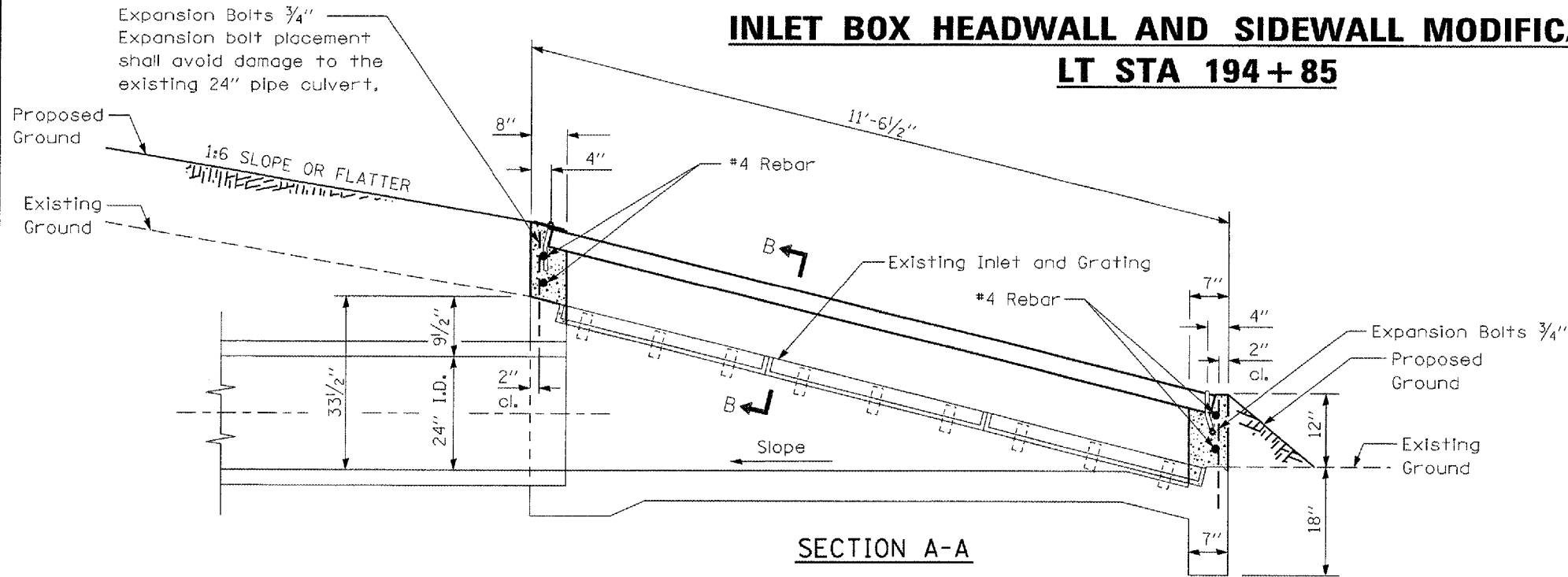
Expansion bolts shall extend a minimum 6" into new concrete.

The contractor will be responsible for checking steel pipe length and field dimensions prior to ordering to insure proper installation of grating.

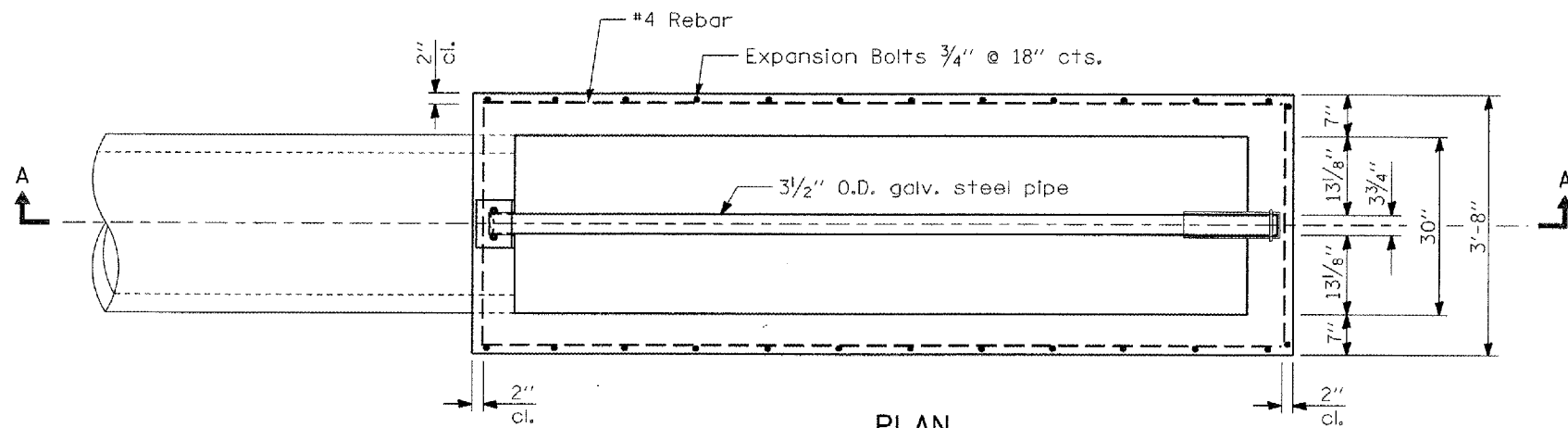
Existing angle frame and main bearing bars shall remain in place. Existing steel grating shall be removed and delivered to Tuscola maintenance storage yard at no additional cost to the state.

The inlet shall be backfilled in accordance with the Standard Specifications.

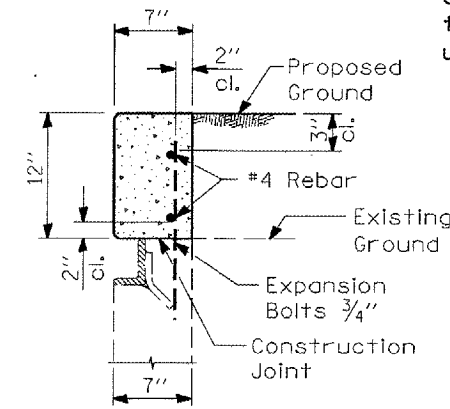
All work and materials shall be in accordance with applicable portions of Section 542. The galvanized steel pipe, steel top anchor plate, U bolts, nylon insert hex lock nuts and washers and all work associated with these items will not be measured for payment and shall be included in the contract unit price per cubic yard for CONCRETE HEADWALLS.



SECTION A-A

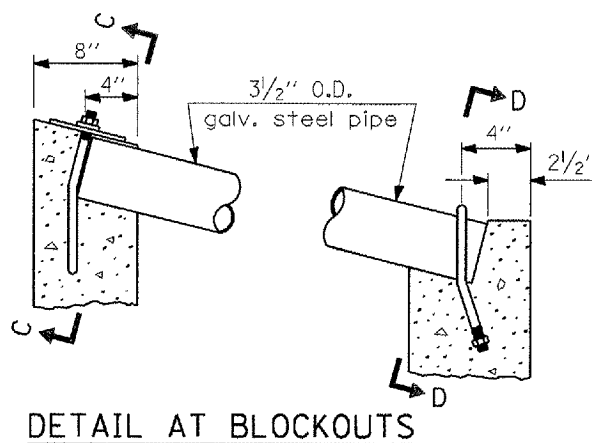


PLAN

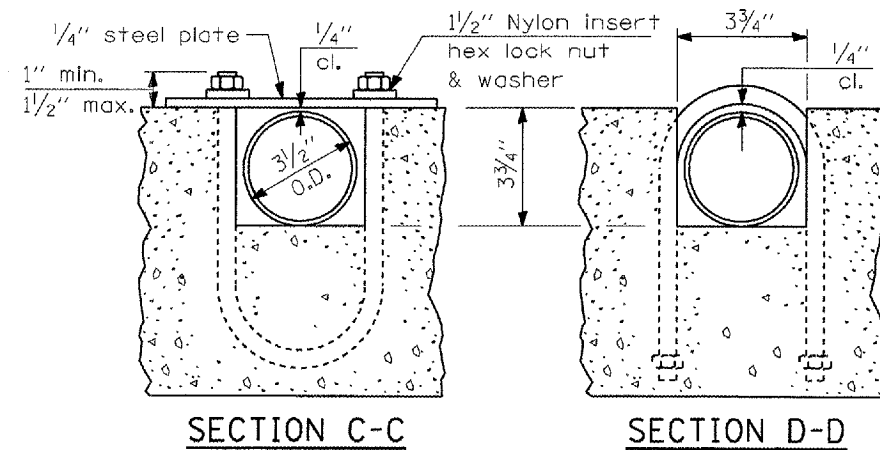


SECTION B-B

Bill of Materials		
LOCATION LT. 194+85		
54002020	$\frac{3}{4}$ " Bolts	each 16
54248500	Concrete Headwalls	cu. yd. 0.6
50800105	Rebar size #4	pound 16.5
Galv. Steel Pipe	$\frac{3}{2}$ " O.D.	11'-0"

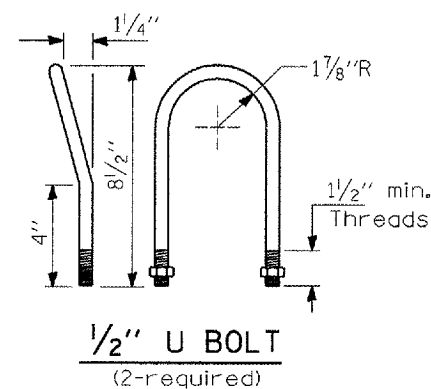


DETAIL AT BLOCKOUTS

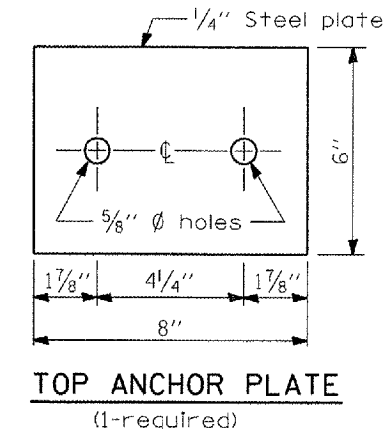


SECTION C-C

SECTION D-D



1/2" U BOLT
(2-required)



TOP ANCHOR PLATE
(1-required)

ILLINOIS DEPARTMENT OF TRANSPORTATION
**INLET BOX HEADWALL AND
SIDEWALL MODIFICATION**
LT STA 194+85

SCALE: NOT TO SCALE
DATE: 09/26/05

DRAWN BY: CADD
CHECKED BY:

PLOT DATE: 10/31/2006
 FILE NAME: c:\pwworkspace\70547.dwg
 PLOT SCALE: 1/8"=1'-0"
 USER NAME: jantony