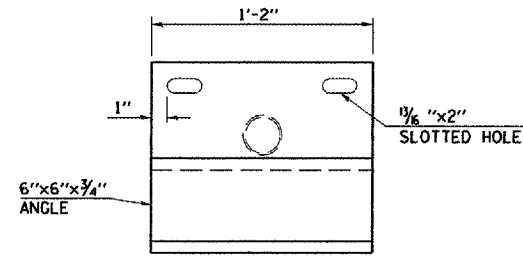


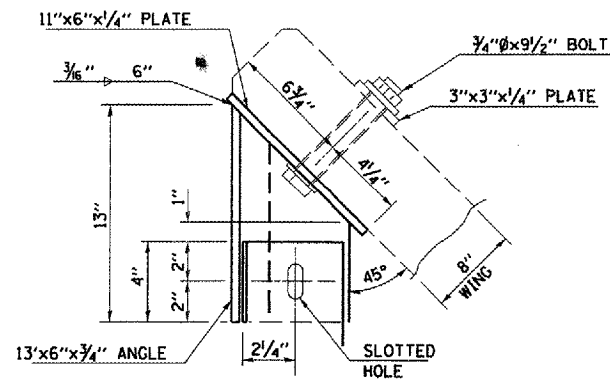
F.A.I. RTE.	SECTION	COUNTY	TOTAL SHEETS	SHEET NO.
57&74	*	**	151	44

* D5 CABLE GUARD 2007-2
 ** CHAMPAIGN, DEWITT & DOUGLAS

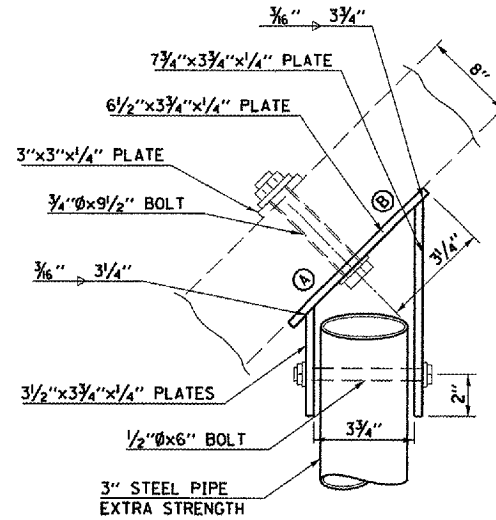
REMOVE AND REINSTALL GRATING FOR CONCRETE HEADWALL STATION 225 + 00



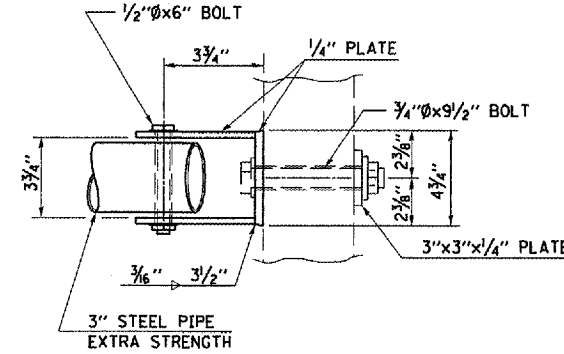
**PLAN VIEW OF SUPPORT
 (EXISTING)**



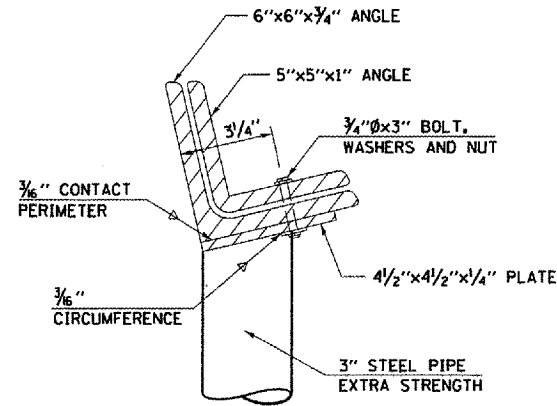
PLAN AT END OF WINGWALL



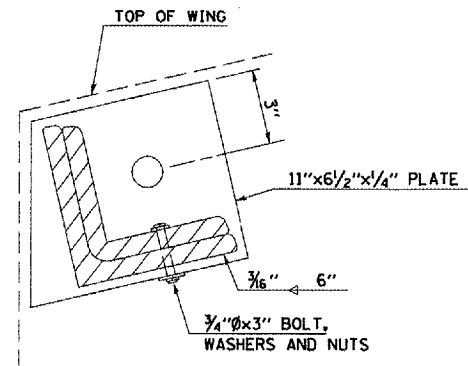
PLAN AT WINGWALL



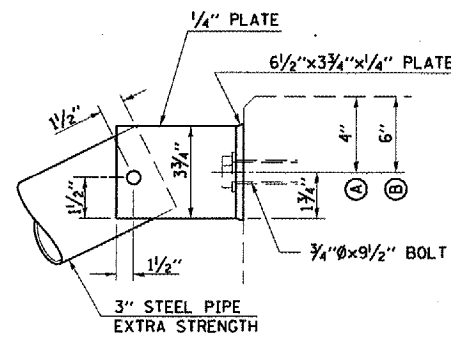
**PLAN AT HEADWALL
 (EXISTING 8" THICKNESS)**



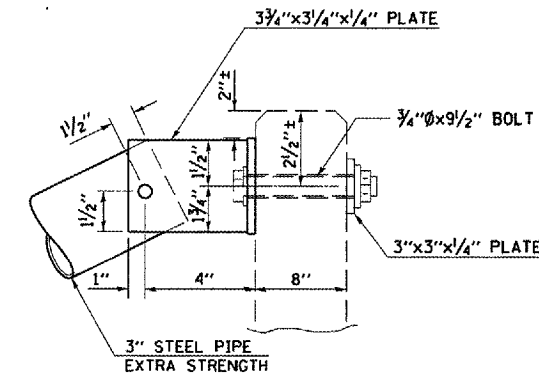
**END VIEW OF SUPPORT
 (EXISTING)**



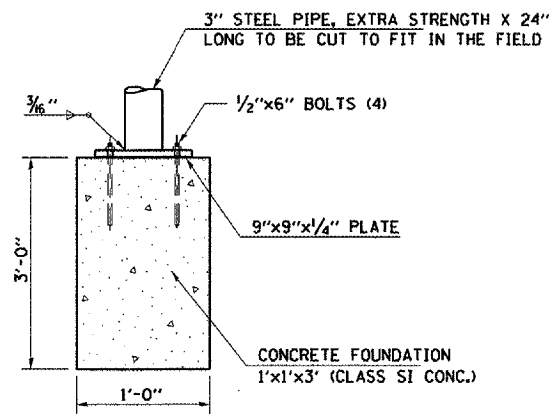
ELEVATION AT END OF WINGWALL



ELEVATION AT WINGWALL



**ELEVATION AT HEADWALL
 (EXISTING 8" THICKNESS)**



**CENTER SUPPORT FOUNDATION
 (EXISTING)**

PLOT DATE: 10/31/2006
 FILE NAME: c:\p\projects\70547\70547.dwg
 PLOT SCALE: 1/8"=1'-0"
 USER NAME: antilony