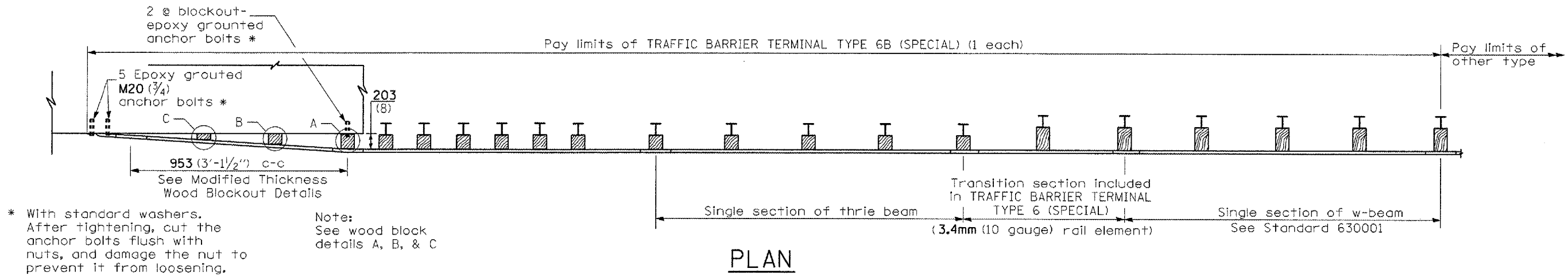


TRAFFIC BARRIER TERMINAL, TYPE 6B (SPECIAL)

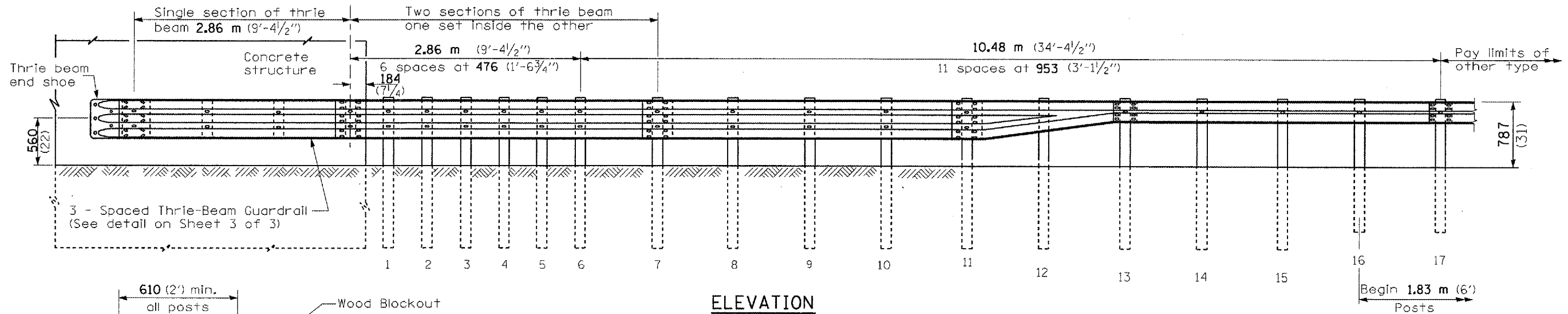
STA 744+97 TO STA 745+52

F.A.I. RTE.	SECTION	COUNTY	TOTAL SHEETS	SHEET NO.
57&74	*	**	151	47

* D5 CABLE GUARD 2007-2
** CHAMPAIGN, DEWITT & DOUGLAS



PLAN



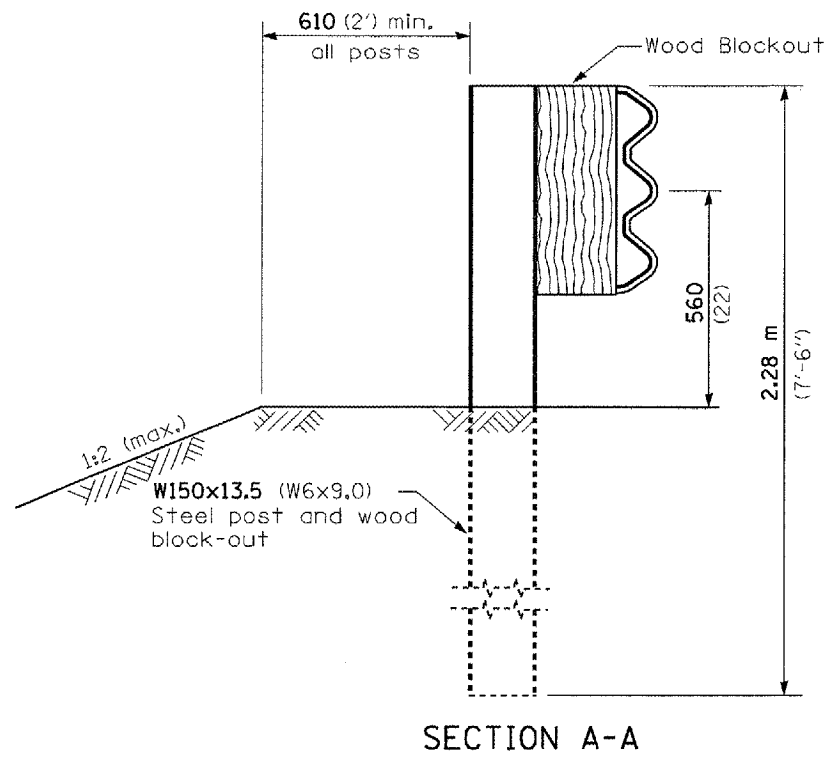
ELEVATION

GENERAL NOTES

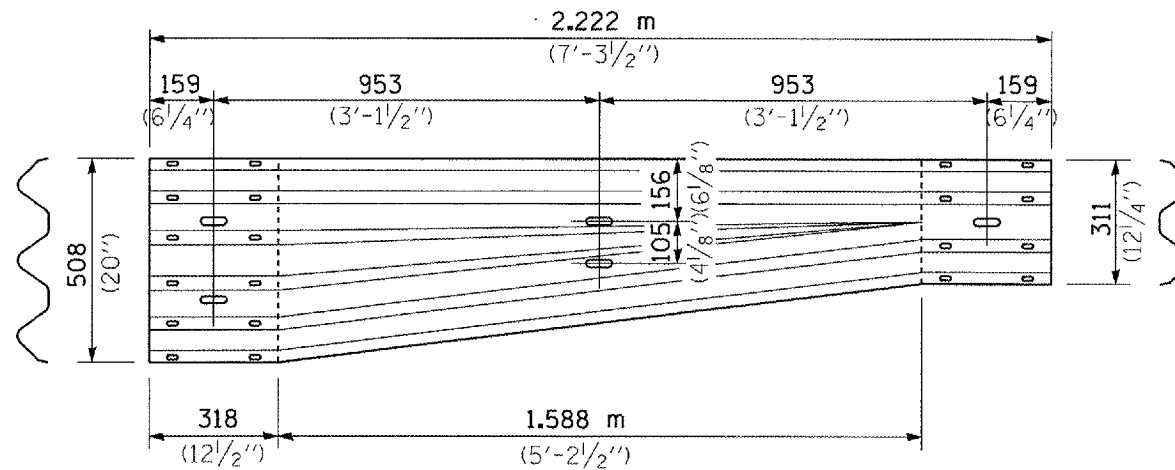
See Standard 630001 for details of guardrail not shown.

Thrie beam rail shall be bolted to block-out at all posts.

All slope ratios are expressed as units of vertical displacement to units of horizontal displacement (V:H).



SECTION A-A



TRANSITION SECTION

All dimensions are in millimeters (Inches) unless otherwise shown.

SHEET 1 OF 3

ILLINOIS DEPARTMENT OF TRANSPORTATION
**TRAFFIC BARRIER
TERMINAL, TYPE 6B (SPECIAL)
STA 744+97 TO STA 745+52**

SCALE: NA
DATE: 09/27/06

DRAWN BY: CADD
CHECKED BY:

LOCATION #3 FARMER CITY

PLOT DATE: 10/30/2006
 FILE NAME: c:\p\proj\70547\70547.dwg
 PLOT SCALE: 1/8"=1'-0"
 USER NAME: philip