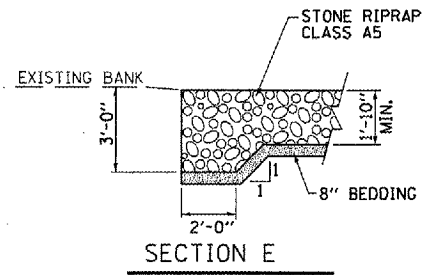
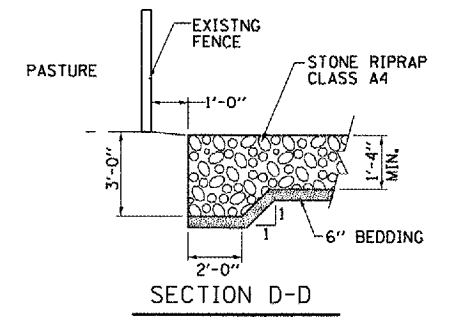
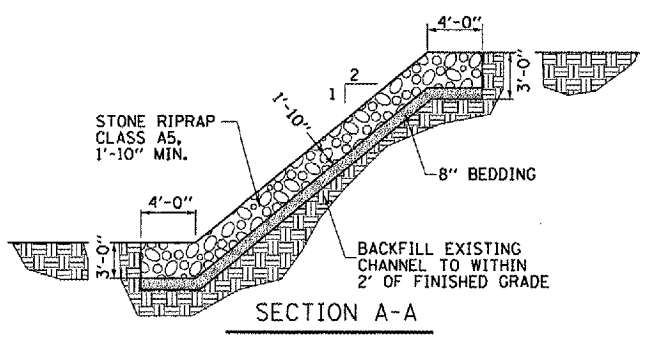
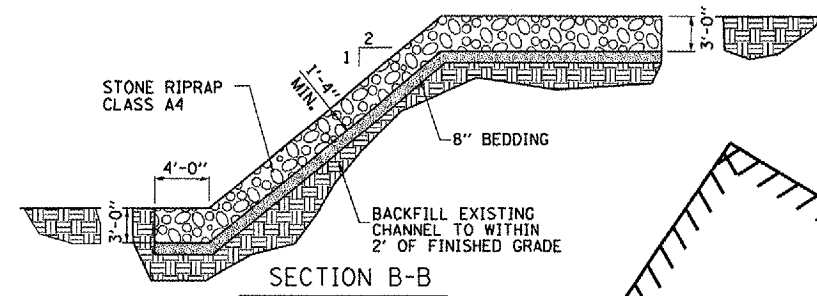
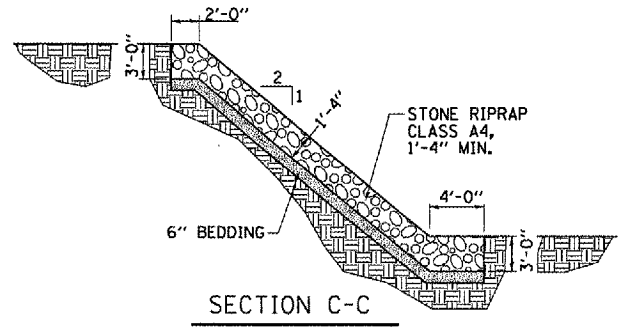
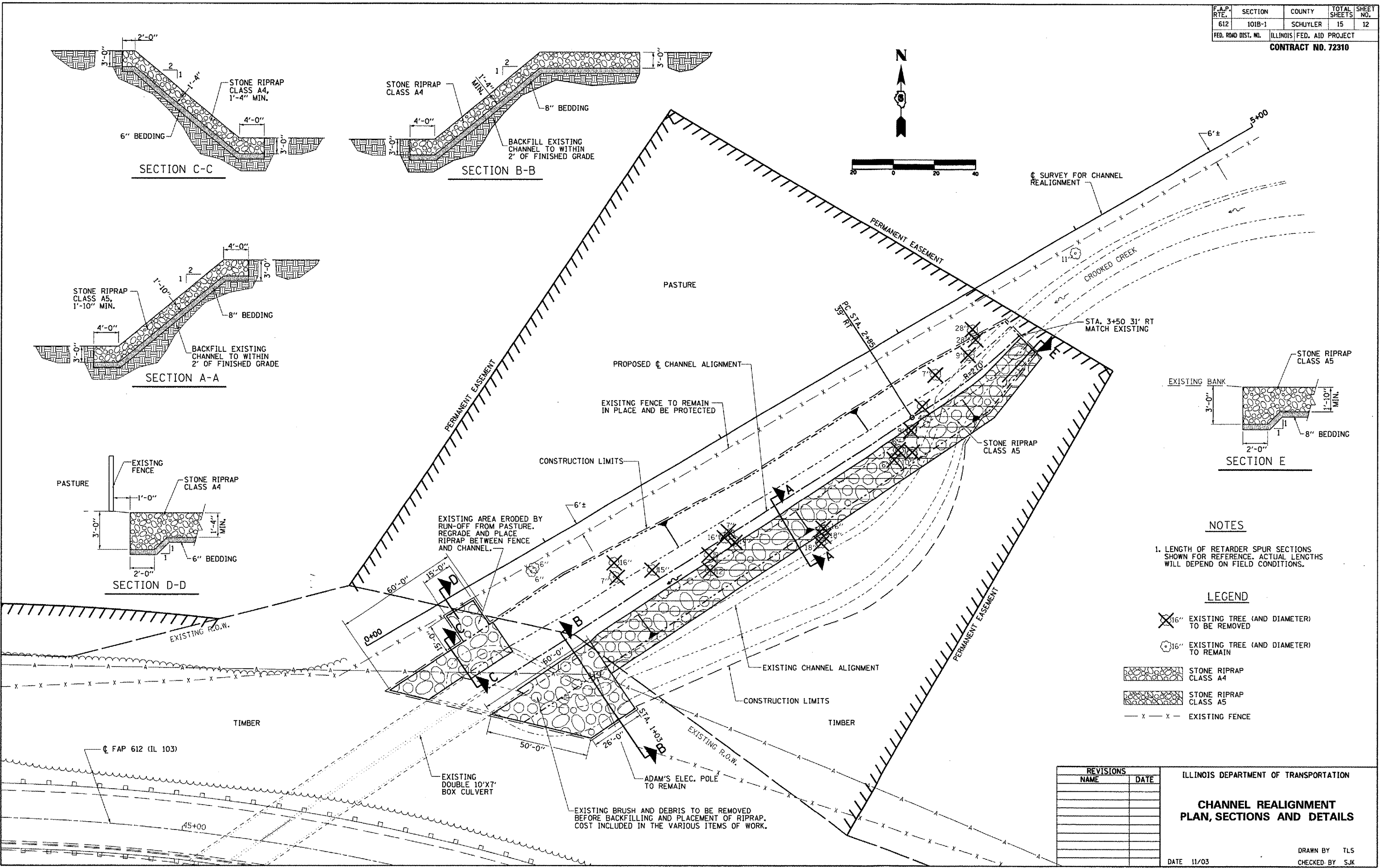


F.A.P. RTE.	SECTION	COUNTY	TOTAL SHEETS	SHEET NO.
612	101B-1	SCHUYLER	15	12
FED. ROAD DIST. NO.		ILLINOIS FED. AID PROJECT		
CONTRACT NO. 72310				



NOTES

- LENGTH OF RETARDER SPUR SECTIONS SHOWN FOR REFERENCE. ACTUAL LENGTHS WILL DEPEND ON FIELD CONDITIONS.

LEGEND

- 16" EXISTING TREE (AND DIAMETER) TO BE REMOVED
- 16" EXISTING TREE (AND DIAMETER) TO REMAIN
- STONE RIPRAP CLASS A4
- STONE RIPRAP CLASS A5
- EXISTING FENCE

REVISIONS	
NAME	DATE

ILLINOIS DEPARTMENT OF TRANSPORTATION
**CHANNEL REALIGNMENT
 PLAN, SECTIONS AND DETAILS**
 DATE 11/03
 DRAWN BY TJS
 CHECKED BY SJK