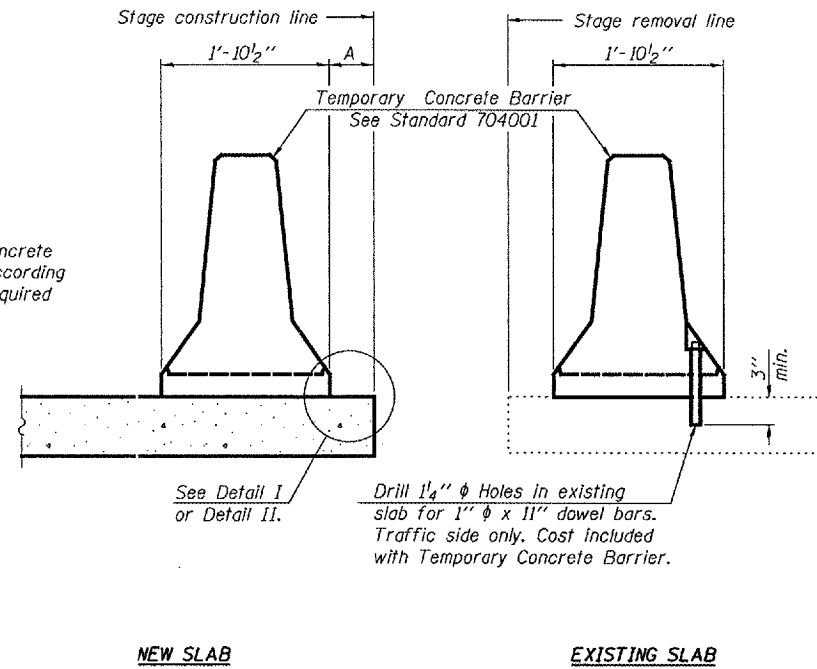


STATE OF ILLINOIS  
DEPARTMENT OF TRANSPORTATION

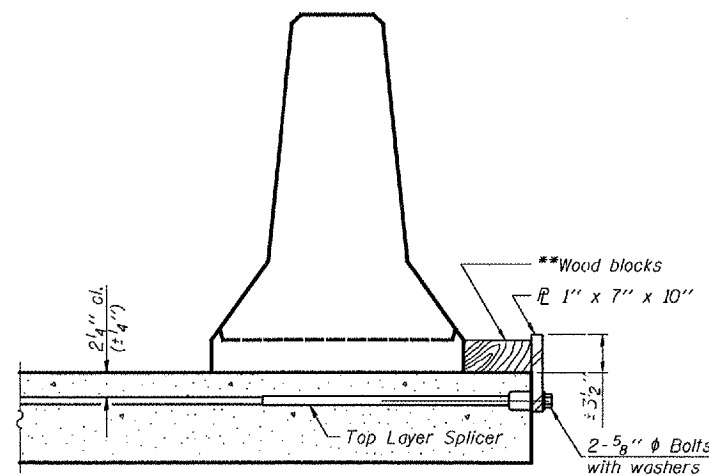
ROUTE NO.	SECTION	COUNTY	SHEET	SHEET	SHEET NO.
FAP 662	(V,T)B-2	MACOUPIN	60	35	20 SHEETS
FED. ROAD DIST. NO. 7	ILLINOIS	FED. AID PROJECT			

Contract #72993

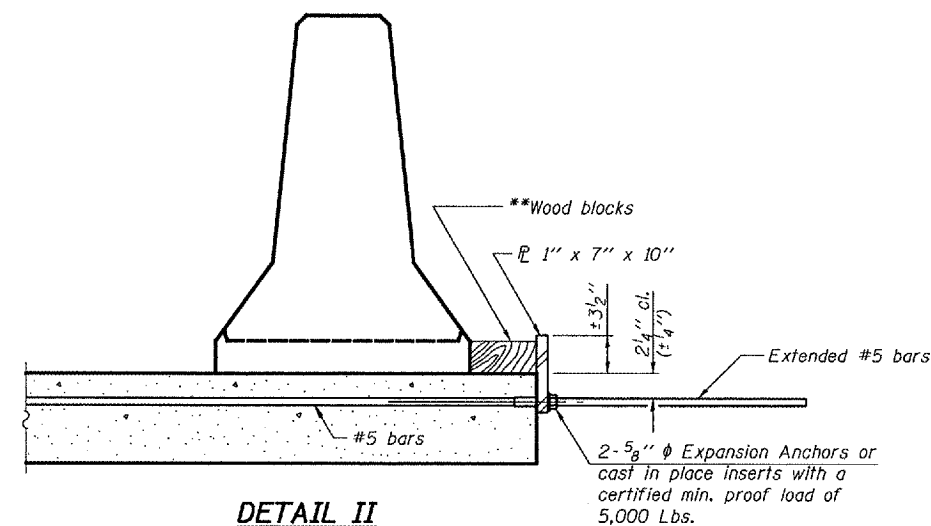
When "A" is 3'-6" or less, the temporary concrete barrier shall be anchored to the new slab according to Detail I or Detail II. No anchorage is required when "A" is greater than 3'-6".



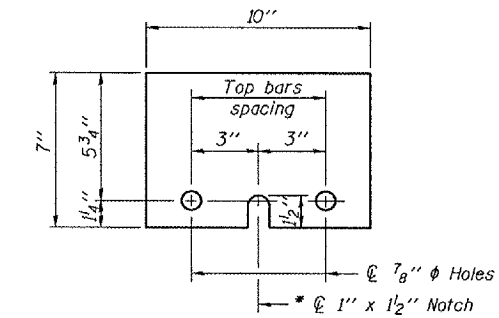
SECTIONS THRU SLAB



DETAIL I



DETAIL II



STEEL RETAINER PLATE 1" x 7" x 10"

\*Required only with Detail II

\*\* Wood blocks may be omitted when required to provide minimum stage traffic lane width. When the wood blocks are omitted, the concrete barrier shall be in direct contact with the steel retainer plate.

DESIGNED	DPN
CHECKED	AJB
DRAWN	h.l. duong
CHECKED	FT/AJB/DPN

EXAMINED *Thomas J. Demagala*  
PASSED *Ralph E. Anderson*  
ENGINEER OF BRIDGES AND STRUCTURES

R-27

11-1-06

TEMPORARY CONCRETE BARRIER  
FOR STAGE CONSTRUCTION  
F.A.P. RT. 662 - SECTION (V,T)B-2  
MACOUPIN COUNTY  
STATION 447+03.80  
STRUCTURE NO. 059-0504