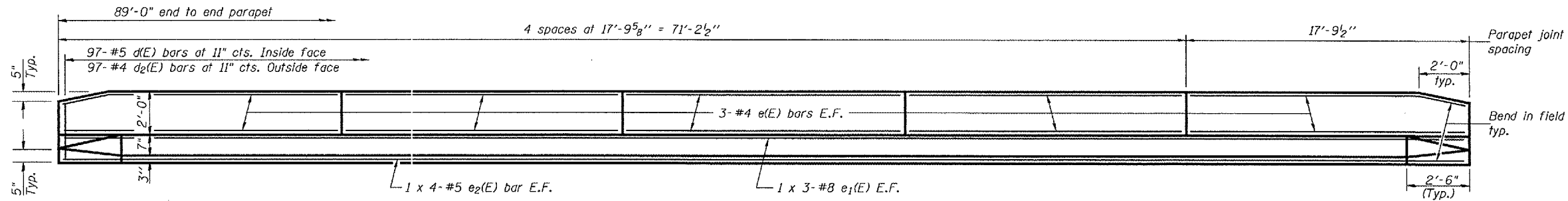


STATE OF ILLINOIS
DEPARTMENT OF TRANSPORTATION

ROUTE NO.	SECTION	COUNTY	SHEETS	SHEET NO.
FAP 662	(V,T)B-2	MACOUPIN	68 39	20 SHEETS
FED. ROAD DIST. NO. 7	ILLINOIS	FED. AID PROJECT	Contract #72993	



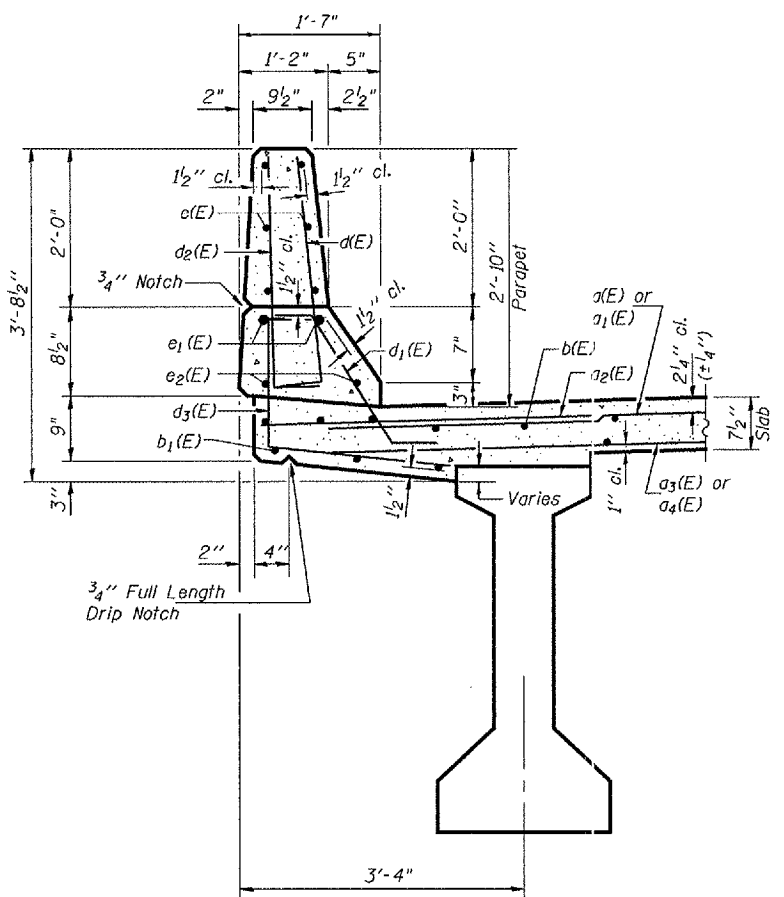
INSIDE ELEVATION OF PARAPET

MIN. BAR LAPS
#5 bar = 1'-8"
#8 bar = 3'-5"

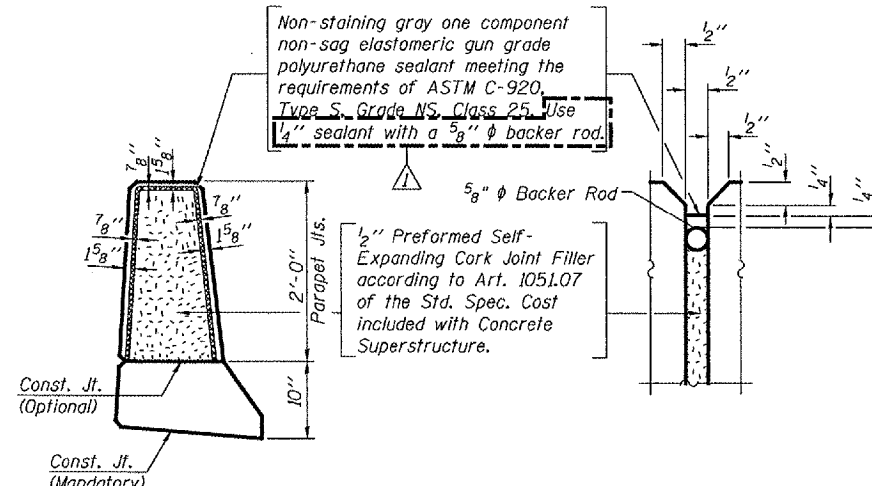
**SUPERSTRUCTURE
BILL OF MATERIAL**

Bar	No.	Size	Length	Shape
a(E)	134	#5	20'-7"	
a1(E)	134	#5	17'-7"	
a2(E)	268	#6	6'-0"	
a3(E)	107	#5	16'-9"	
a4(E)	107	#5	19'-9"	
a5(E)	4	#5	22'-1"	
a6(E)	4	#5	18'-9"	
b(E)	123	#5	30'-8"	
b1(E)	144	#5	23'-5"	
d(E)	194	#5	3'-0"	
d1(E)	182	#5	2'-5"	
d2(E)	194	#4	3'-0"	
d3(E)	194	#4	3'-8"	
d4(E)	12	#5	2'-2"	
e(E)	60	#4	17'-6"	
e1(E)	12	#8	31'-10"	
e2(E)	16	#5	23'-5"	
m(E)	8	#6	20'-3"	
m1(E)	12	#6	21'-4"	
m2(E)	24	#6	9'-0"	
m3(E)	8	#6	4'-9"	
m4(E)	4	#6	2'-3"	
s(E)	64	#4	12'-11"	
s1(E)	80	#5	6'-10"	
v(E)	76	#5	3'-4"	
Reinforcement Bars, Epoxy Coated	Lbs.	25920		
Concrete Superstructure	Cu. Yds.	144.5		

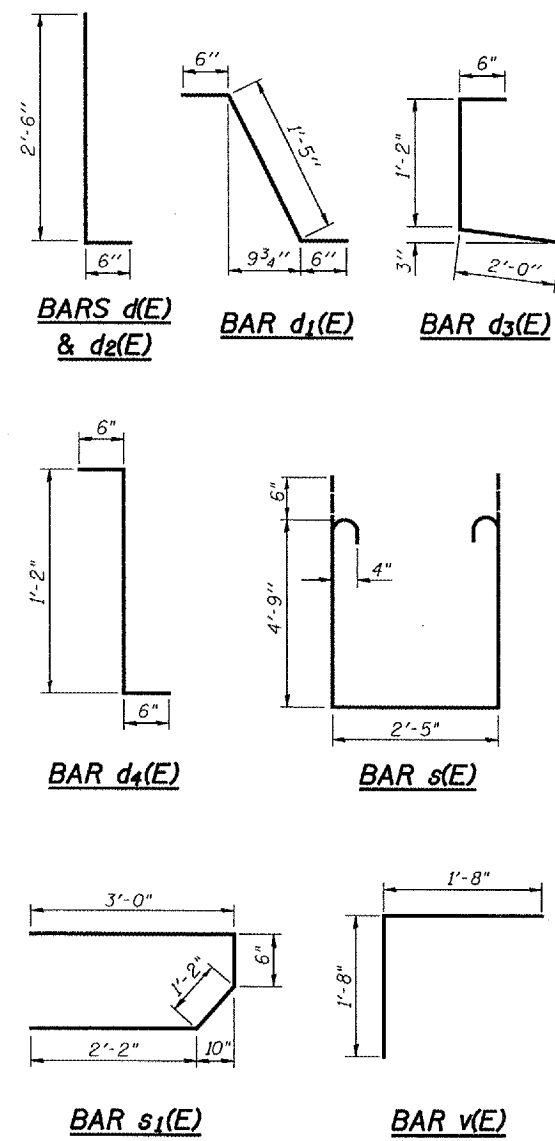
Bars indicated thus 1 x 3-#8 etc. indicates 1 line of bar with 3 lengths per line.



SECTION THRU PARAPET



PARAPET JOINT DETAILS



DESIGNED	DPN
CHECKED	AJB
DRAWN	h.l. duong
CHECKED	FT/AJB/DPN

EXAMINED *Thomas J. Donagale*
PASSED *Ralph E. Anderson*
ENGINEER OF BRIDGES AND STRUCTURES

SUPERSTRUCTURE DETAILS
F.A.P. RT. 662 SECTION (V,T)B-2
MACOUPIN COUNTY
STATION 447+03.80
STRUCTURE NO. 059-0504