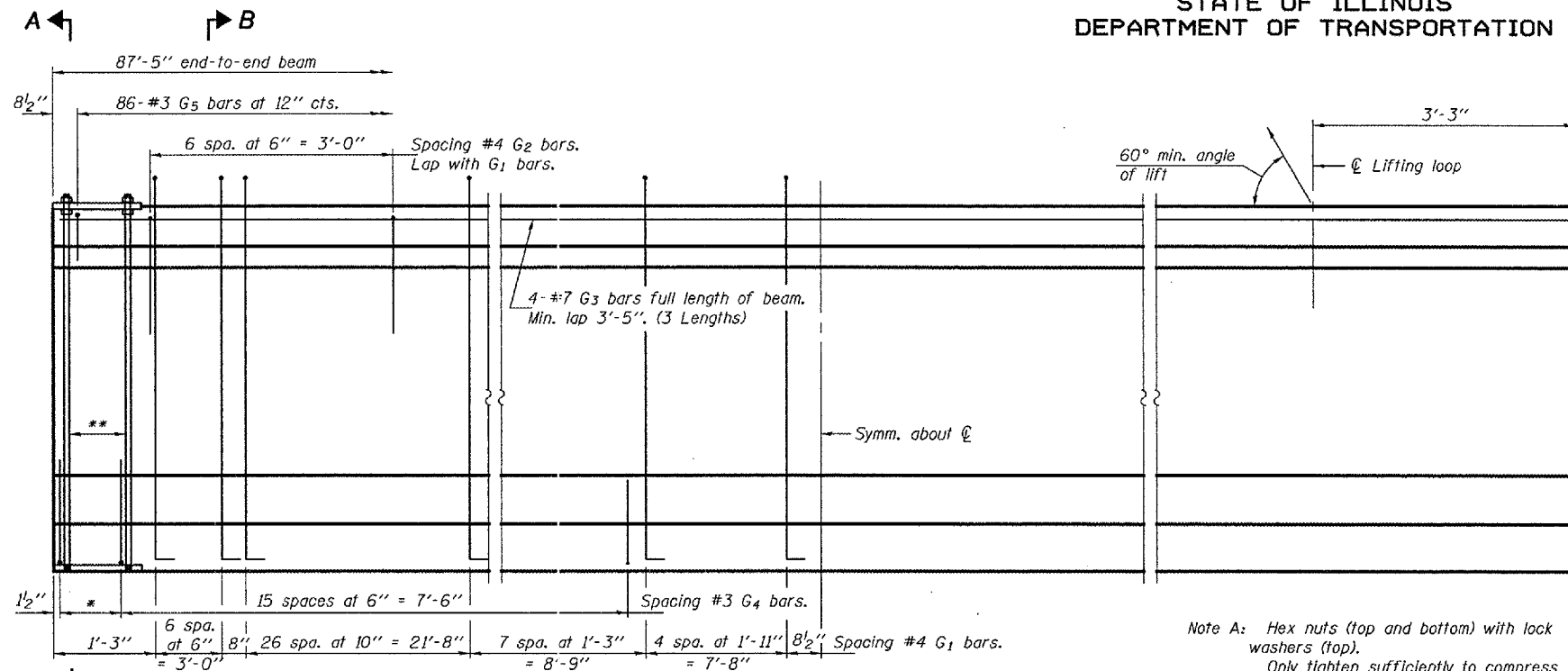


STATE OF ILLINOIS
DEPARTMENT OF TRANSPORTATION

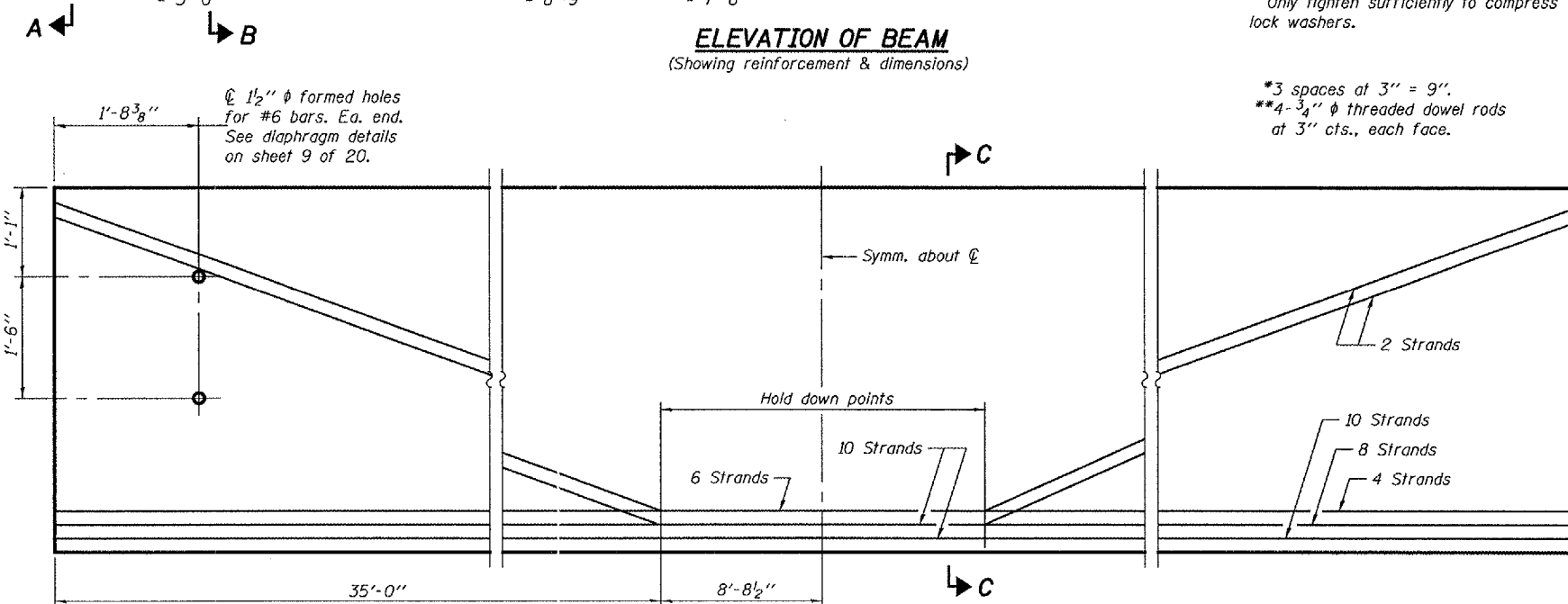
ROUTE NO.	SECTION	COUNTY	SHEETS	SHEET	SHEET NO. 11
FAP 662	(V,T)B-2	MACOUPIN	60	42	20 SHEETS
FED. ROAD DIST. NO. 7	ILLINOIS	FED. AID PROJECT			

Contract #72993



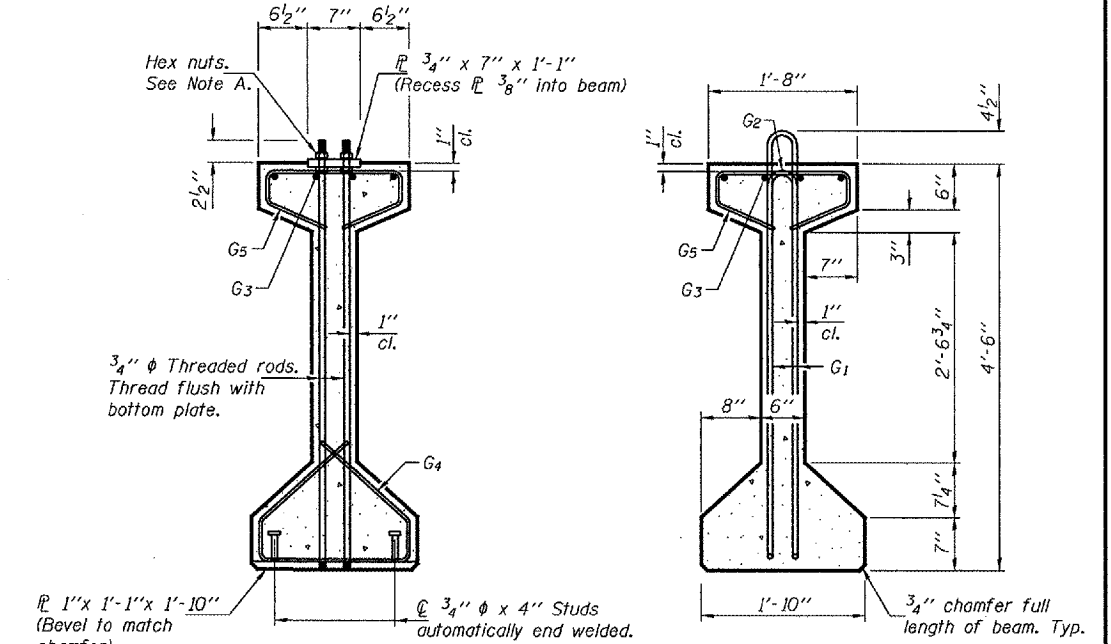
ELEVATION OF BEAM
(Showing reinforcement & dimensions)

Note A: Hex nuts (top and bottom) with lock washers (top). Only tighten sufficiently to compress lock washers.



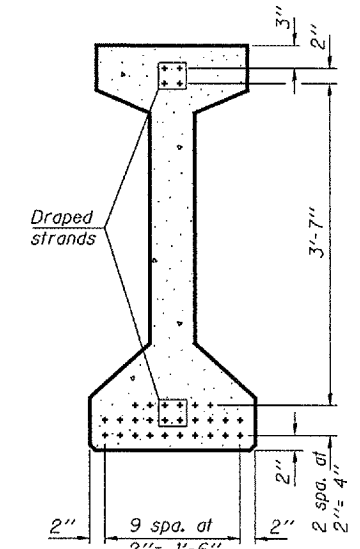
ELEVATION OF BEAM
(Showing prestressing steel)

*3 spaces at 3" = 9".
**4-3/4" diameter threaded dowel rods at 3" centers, each face.



SECTION A-A

SECTION B-B



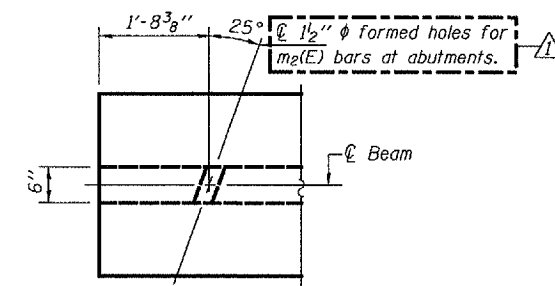
SECTION C-C

*****BAR LIST
ONE BEAM ONLY**

Bar	No.	Size	Length	Shape
G1	90	#4	10'-5"	U
G2	14	#4	5'-4"	U
G3	12	#7	31'-4"	U
G4	38	#3	4'-11"	U
G5	86	#3	3'-5"	U

***For information only.

Notes: See sheet 12 of 20 for additional details and Bill of Material. Required release strength, f'ci, shall be 5000 psi.



END OF BEAM-PLAN

DESIGNED	DPN
CHECKED	AJB
DRAWN	h.f. duong
CHECKED	FT/AJB/DPN

Jan 23, 2007
EXAMINED *Thomas J. Demagallo*
PASSED *Ralph E. Anderson*
ENGINEER OF BRIDGES AND STRUCTURES

PI-4-54 11-1-06

54" PPC I-BEAM
F.A.P. RT. 662 SECTION (V,T)B-2
MACOUPIN COUNTY
STATION 447+03.80
STRUCTURE NO. 059-0504

Revised 3/5/2007, DPN