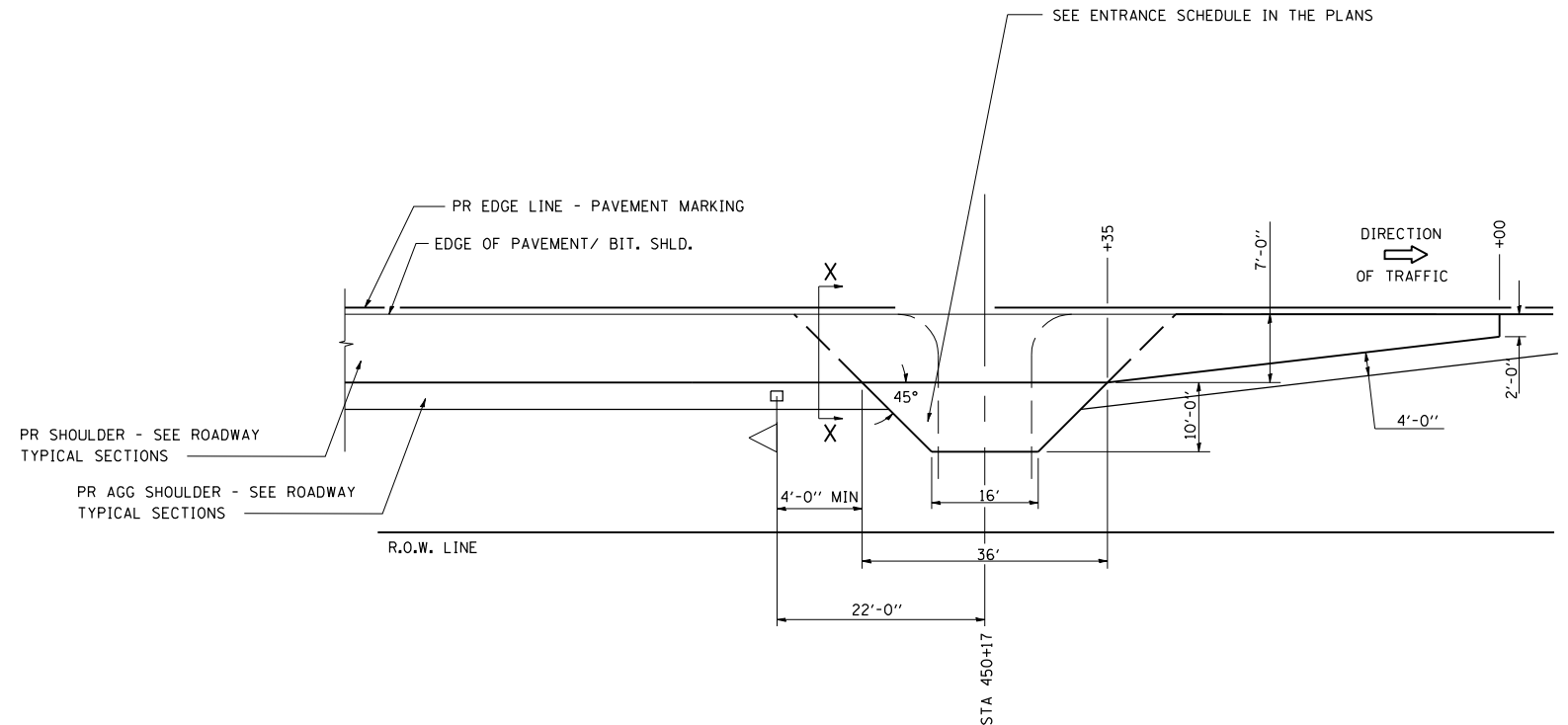
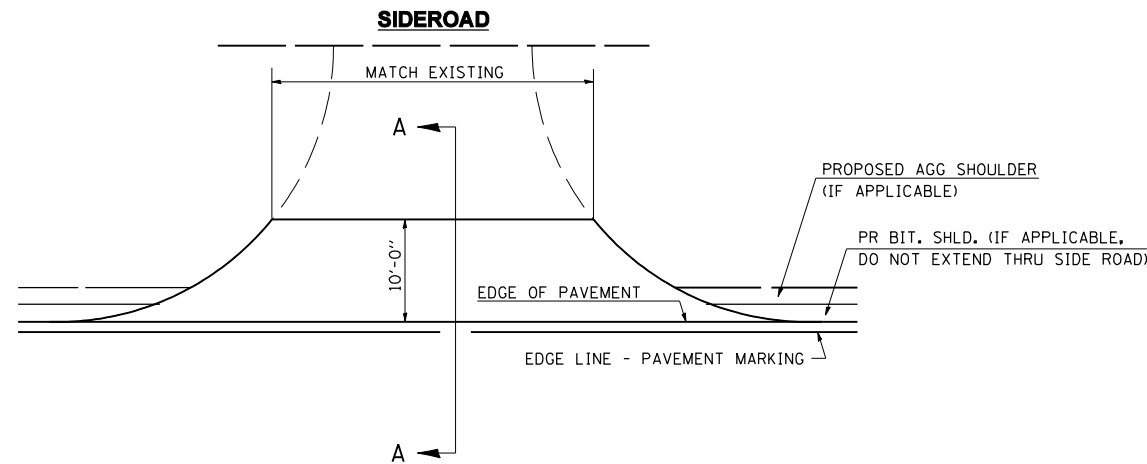
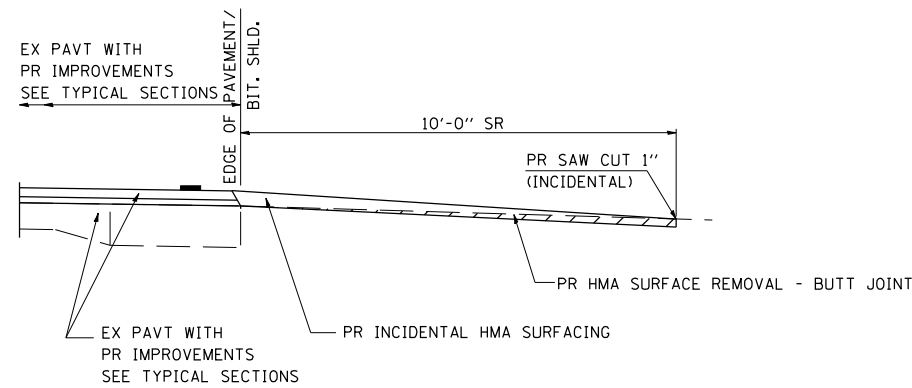


F.A. RTE.	SECTION	COUNTY	TOTAL SHEETS	SHEET NO.
662	(V,T)B-2	MACOUPIN	68	28
STA.		TO STA.		
FED. ROAD DIST. NO.	ILLINOIS	FED. AID PROJECT		

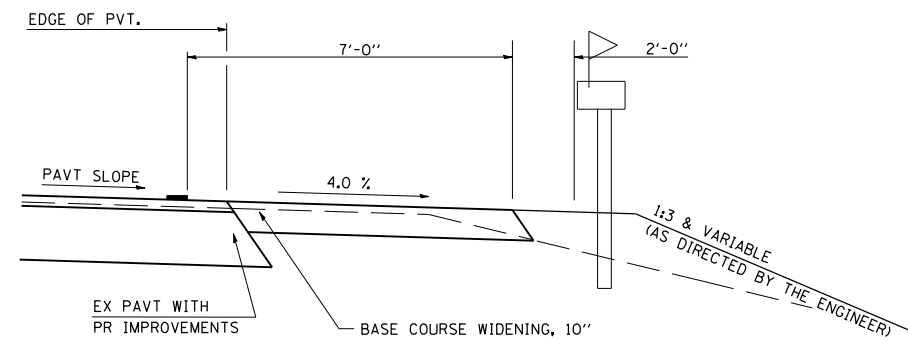
DETAILS OF MAILBOX TURNOUTS



PLAN - COMBINED MAILBOX TURNOUT WITH TRAILING OR LEADING ENTRANCE



SECTION A-A FOR EX SIDE ROAD



SECTION X-X THRU MAILBOX TURNOUT

ALL DIMENSIONS ARE IN MILLIMETERS (INCHES)
UNLESS OTHERWISE SHOWN.

REVISIONS	
NAME	DATE
JCN	2/19/03
JCN	4/01/04

ILLINOIS DEPARTMENT OF TRANSPORTATION

**ENTRANCE DETAIL
450+17 RT.**

SCALE: VERT.
HORIZ.
DATE: FEBRUARY 23, 1999

DRAWN BY CADD
CHECKED BY JCN

PLOT DATE = 3/13/2007
FILE NAME = c:\projects\652685\shdetail.dgn
PLOT SCALE = 4.23528 / IN.
USER NAME = laughlin-1