

F.A. RTE.	SECTION	COUNTY	TOTAL SHEETS	SHEET NO.
•	••	ADAMS	7	1

- FAP 745
- D-6 TRAF SIG MODERNIZATION 2007-3

D-96-509-06



STATE OF ILLINOIS
DEPARTMENT OF TRANSPORTATION
DIVISION OF HIGHWAYS

**PROPOSED
HIGHWAY PLANS**

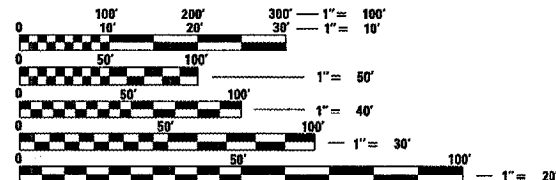
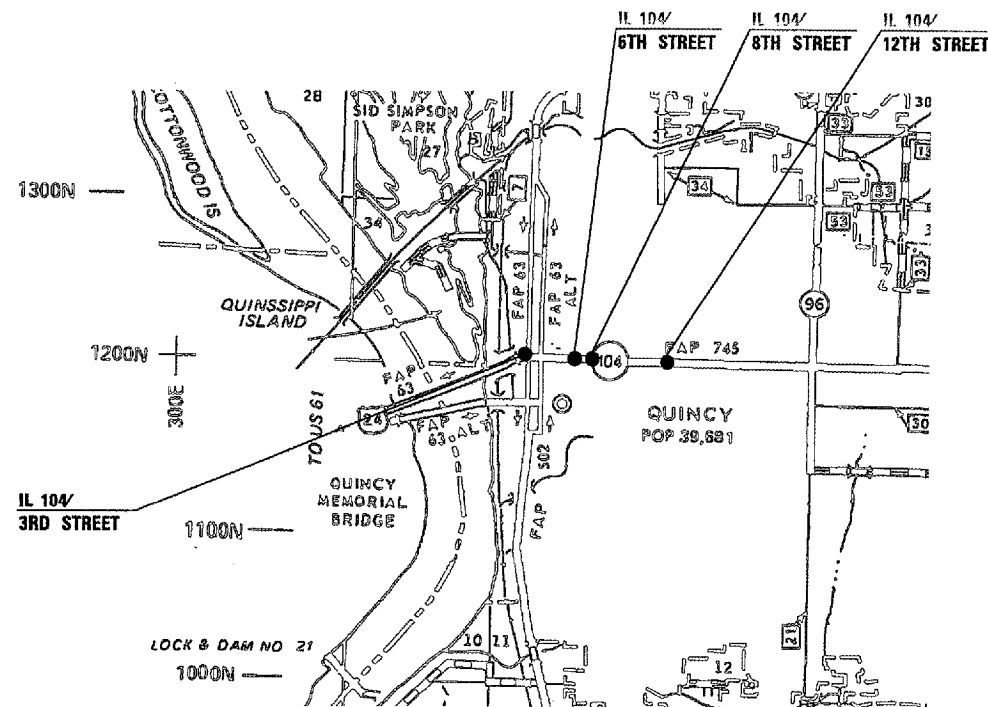
ROUTE FAP 745 (ILL 104)
SECTION D-6 TRAF SIG MODERN 2007-3
PROJECT: F-0745(059)
ADAMS COUNTY
C-96-543-07

INDEX OF SHEETS

COVER SHEET	1
SUMMARY OF QUANTITIES	2
TRAFFIC SIGNAL PLANS - IL 104/3RD ST	3
TRAFFIC SIGNAL PLANS - IL 104/6TH ST	4
TRAFFIC SIGNAL PLANS - IL 104/8TH ST	5
TRAFFIC SIGNAL PLANS - IL 104/12TH ST	6
LEGEND FOR TRAFFIC SIGNAL DETAILS	7

LIST OF STANDARDS

- 701006-02
- 701501-02
- 701701-04
- 702001-06
- 857001
- 880006



FULL SIZE PLANS HAVE BEEN PREPARED USING STANDARD ENGINEERING SCALES. REDUCED SIZED PLANS WILL NOT CONFORM TO STANDARD SCALES. IN MAKING MEASUREMENTS ON REDUCED PLANS, THE ABOVE SCALES MAY BE USED.

J.U.L.I.E.
JOINT UTILITY LOCATION INFORMATION FOR EXCAVATION
1-800-892-0123

CONTRACT NO. 72A24

PROJECT ENGINEER: JOHN NEGANGARD (217) 782-6990
SQUAD LEADER: VINCE MADONIA (217) 785-9046

STATE OF ILLINOIS
DEPARTMENT OF TRANSPORTATION
DIVISION OF HIGHWAYS

SUBMITTED JAN. 19, 2007
Chris H. Reed
DISTRICT ENGINEER

March 23, 2007
Eric E. Harn
Interim ENGINEER OF DESIGN AND ENVIRONMENT

March 23, 2007
Milton R. See, P.E.
DIRECTOR, DIVISION OF HIGHWAYS

**PRINTED BY THE AUTHORITY
OF THE STATE OF ILLINOIS**

F.A.P. RTE.	SECTION	COUNTY	TOTAL SHEETS	SHEET NO.
745	*	ADAMS	7	2
STA.		TO STA.		
FED. ROAD DIST. NO.	ILLINOIS	FED. AID PROJECT		
* D-6 TRAFFIC SIGNAL MODERIZATION 2007-3				

Location 1	Location 2	Location 3	Location 4
3rd & Broadway (IL 104)	6th & Broadway (IL 104)	8th & Broadway (IL 104)	12th & Broadway (IL 104)
80% FEDERAL 20% STATE	80% FEDERAL 10% STATE 10% CITY	80% FEDERAL 10% STATE 10% CITY	80% FEDERAL 10% STATE 10% CITY
Y031-1F	Y031-1F	Y031-1F	Y031-1F

Code No	Item	Unit	Total	Location 1	Location 2	Location 3	Location 4
67100100	MOBILIZATION	L SUM	1	0.25	0.25	0.25	0.25
70102620	TRAFFIC CONTROL AND PROTECTION, STANDARD 701501	L SUM	1	0.25	0.25	0.25	0.25
70102635	TRAFFIC CONTROL AND PROTECTION, STANDARD 701701	L SUM	1	0.25	0.25	0.25	0.25
88800100	PEDESTRIAN PUSH-BUTTON	EACH	32	8	8	8	8
89502375	REMOVE EXISTING TRAFFIC SIGNAL EQUIPMENT	EACH	4	1	1	1	1
X8950910	REBUILD EXISTING SIGNAL HEAD FACE, 3-SECTION, LED	EACH	46	15	12	11	8
X8950920	REBUILD EXISTING SIGNAL HEAD FACE, 5-SECTION, LED	EACH	18	0	4	6	8
X8950950	REBUILD EXISTING PEDESTRIAN SIGNAL HEAD FACE, LED	EACH	32	8	8	8	8

DISTRICT SIX	
EXAMINED <u>January 17</u> 20 <u>07</u>	
<i>[Signature]</i>	
OPERATIONS ENGINEER	
EXAMINED <u>Jan 17</u> 20 <u>07</u>	
<i>[Signature]</i>	
PROGRAM IMPLEMENTATION ENGINEER	
EXAMINED <u>Jan 18</u> 20 <u>07</u>	
<i>[Signature]</i>	
PROGRAM DEVELOPMENT ENGINEER	

REVISIONS		ILLINOIS DEPARTMENT OF TRANSPORTATION
NAME	DATE	
		SUMMARY OF QUANTITIES BROADWAY & 3RD SECTION D-6 TRAFFIC SIGNAL MOD 2007-3
SCALE: VERT. _____		DRAWN BY _____
DATE _____		CHECKED BY _____

PLOT DATE = 1/19/2007
 PLOT SCALE = 0.84337 IN.
 USER NAME = masonnavj

CONTRACT NO. 72A24				
F.A.P. RTE.	SECTION	COUNTY	TOTAL SHEETS	SHEET NO.
745		ADAMS	7	3
STA.		TO STA.		
FED. ROAD DIST. NO.	ILLINOIS	FED. AID PROJECT		

• D-6 TRAFFIC SIGNAL MODERNIZATION 2007-3

TRAFFIC SIGNAL QUANTITIES

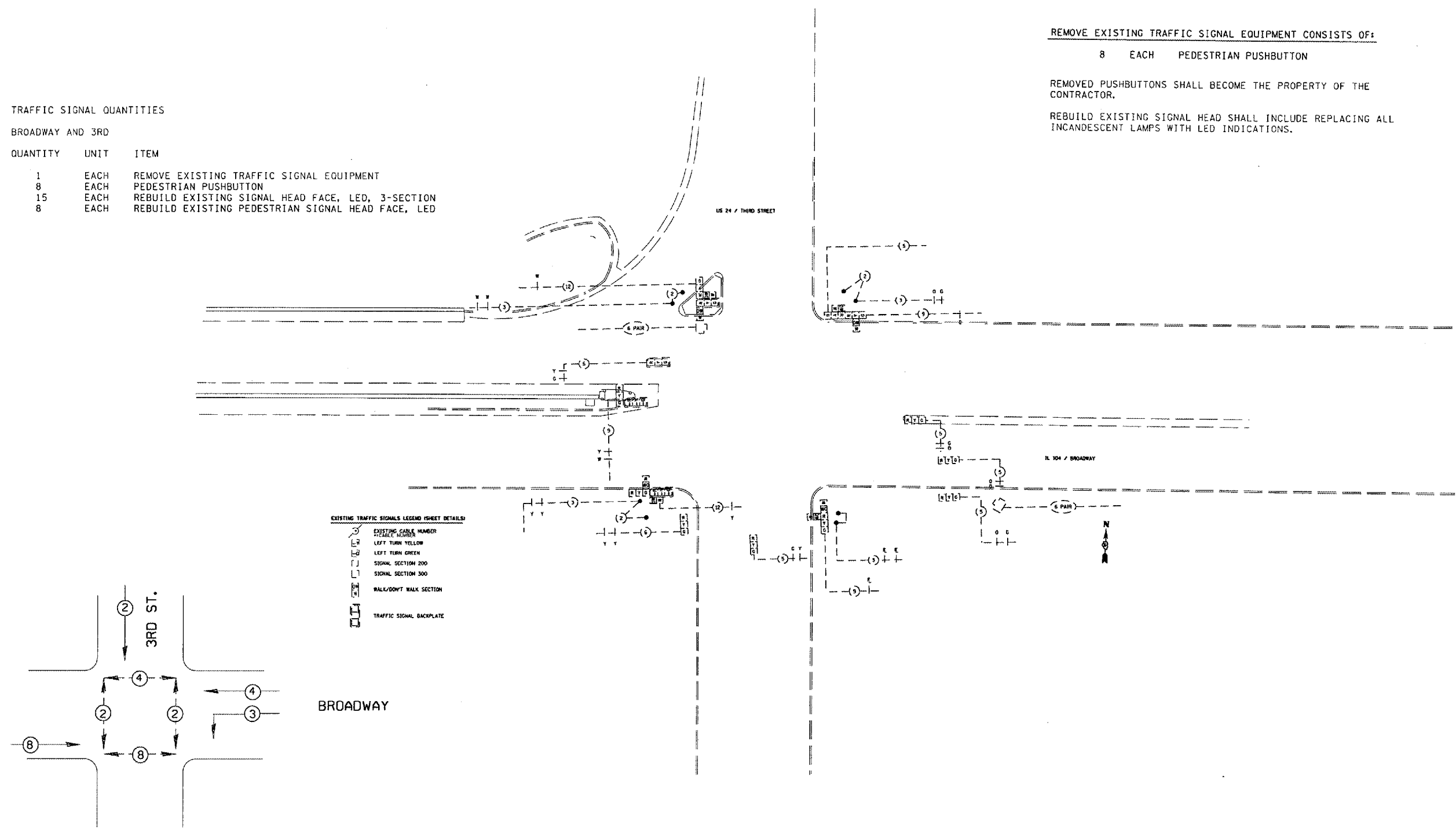
BROADWAY AND 3RD

QUANTITY	UNIT	ITEM
1	EACH	REMOVE EXISTING TRAFFIC SIGNAL EQUIPMENT
8	EACH	PEDESTRIAN PUSHBUTTON
15	EACH	REBUILD EXISTING SIGNAL HEAD FACE, LED, 3-SECTION
8	EACH	REBUILD EXISTING PEDESTRIAN SIGNAL HEAD FACE, LED

REMOVE EXISTING TRAFFIC SIGNAL EQUIPMENT CONSISTS OF:
8 EACH PEDESTRIAN PUSHBUTTON

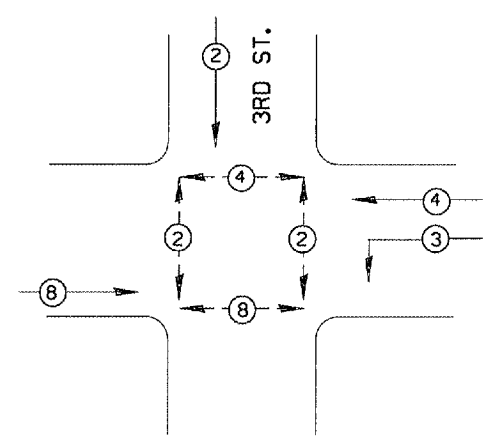
REMOVED PUSHBUTTONS SHALL BECOME THE PROPERTY OF THE CONTRACTOR.

REBUILD EXISTING SIGNAL HEAD SHALL INCLUDE REPLACING ALL INCANDESCENT LAMPS WITH LED INDICATIONS.



EXISTING TRAFFIC SIGNALS LEGEND (SHEET DETAILS)

	EXISTING CABLE HANGER
	EXISTING CABLE NUMBER
	LEFT TURN YELLOW
	LEFT TURN GREEN
	SIGNAL SECTION 200
	SIGNAL SECTION 300
	WALK/DONT WALK SECTION
	TRAFFIC SIGNAL BACKPLATE



PHASE DESIGNATION DIAGRAM

NOT TO SCALE

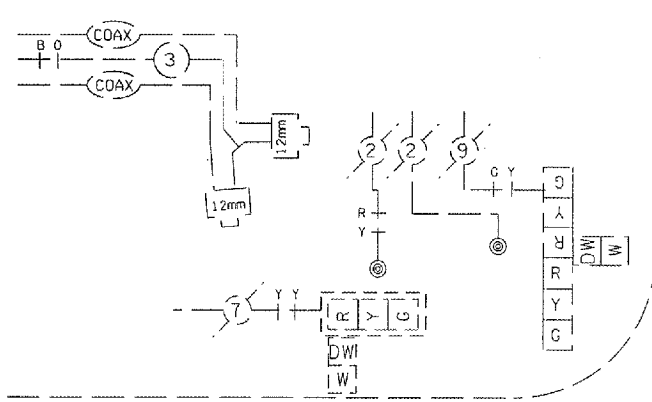
REVISIONS	
NAME	DATE

ILLINOIS DEPARTMENT OF TRANSPORTATION
EXISTING WIRING DIAGRAM
 BROADWAY & 3RD
 SECTION D-6 TRAFFIC SIGNAL MOD 2007-3
 SCALE: VERT. DRAWN BY KDA
 HORIZ. CHECKED BY
 DATE DEC '06

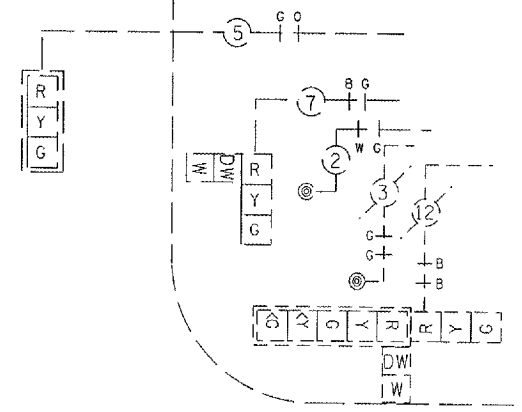
PLOT DATE = 1/19/2007
 PLOT SCALE = 43.7735 / IN
 USER NAME = mcdonovj

CONTRACT NO. 72A24				
F.A.P. RTE.	SECTION	COUNTY	TOTAL SHEETS	SHEET NO.
745		ADAMS	7	4
STA.		TO STA.		
FED. ROAD DIST. NO.		ILLINOIS FED. AID PROJECT		

• D-6 TRAFFIC SIGNAL MODERNIZATION 2007-3

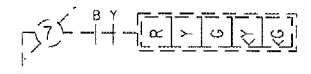


6TH ST



REMOVE EXISTING TRAFFIC SIGNAL EQUIPMENT CONSISTS OF:
8 EACH PEDESTRIAN PUSHBUTTON

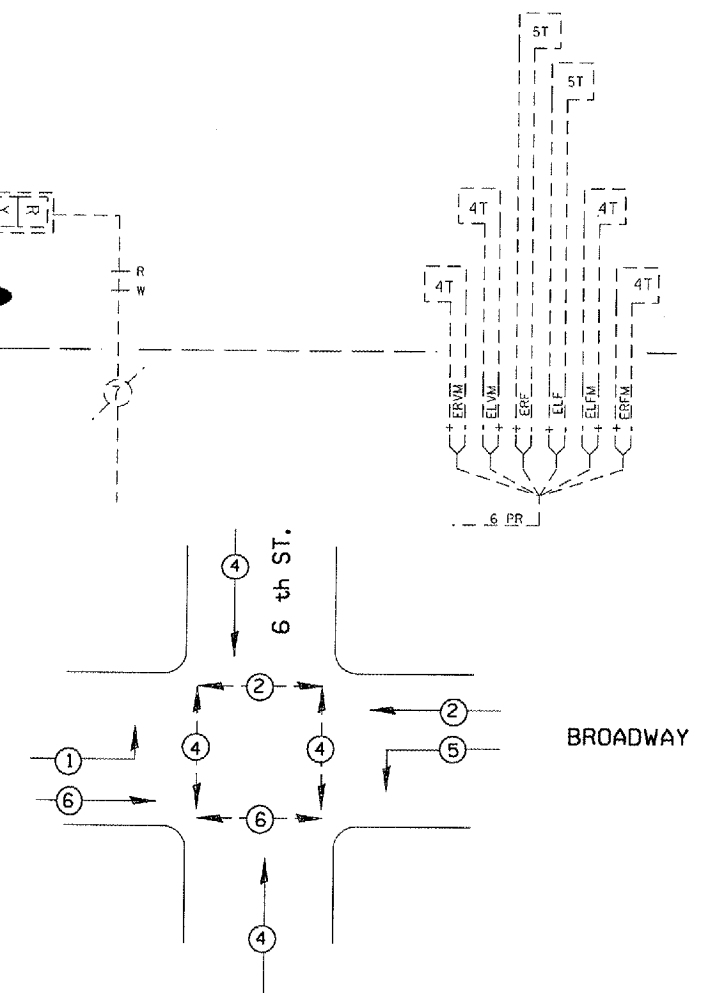
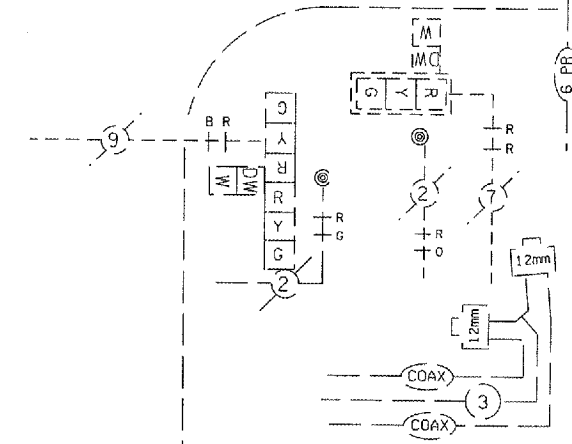
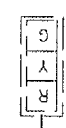
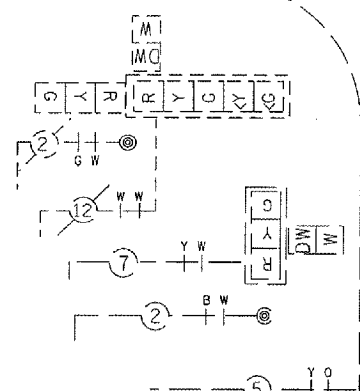
BROADWAY ST



TRAFFIC SIGNAL QUANTITIES

BROADWAY AND 6TH

QUANTITY	UNIT	ITEM
1	EACH	REMOVE EXISTING TRAFFIC SIGNAL EQUIPMENT
8	EACH	PEDESTRIAN PUSHBUTTON
12	EACH	REBUILD EXISTING SIGNAL HEAD FACE, LED, 3-SECTION
4	EACH	REBUILD EXISTING SIGNAL HEAD FACE, LED, 5-SECTION
8	EACH	REBUILD EXISTING PEDESTRIAN SIGNAL HEAD FACE, LED



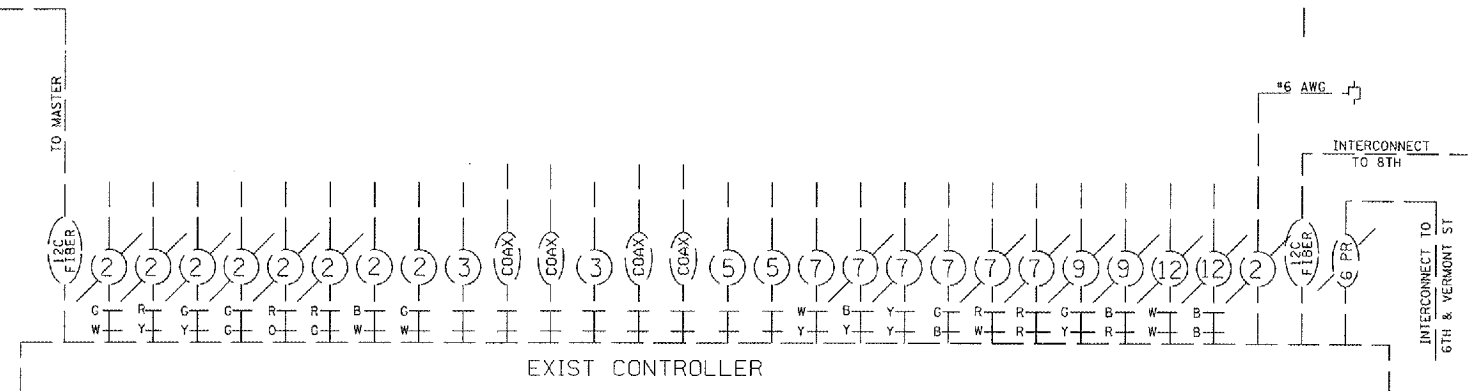
PHASE DESIGNATION DIAGRAM

NOT TO SCALE

REVISIONS	
NAME	DATE

ILLINOIS DEPARTMENT OF TRANSPORTATION
EXISTING WIRING DIAGRAM
 BROADWAY & 6TH
 SECTION D-6 TRAFFIC SIGNAL MOD 2007-3
 VERT. SCALE: HORIZ.
 DATE DEC '06
 DRAWN BY: KDA
 CHECKED BY:

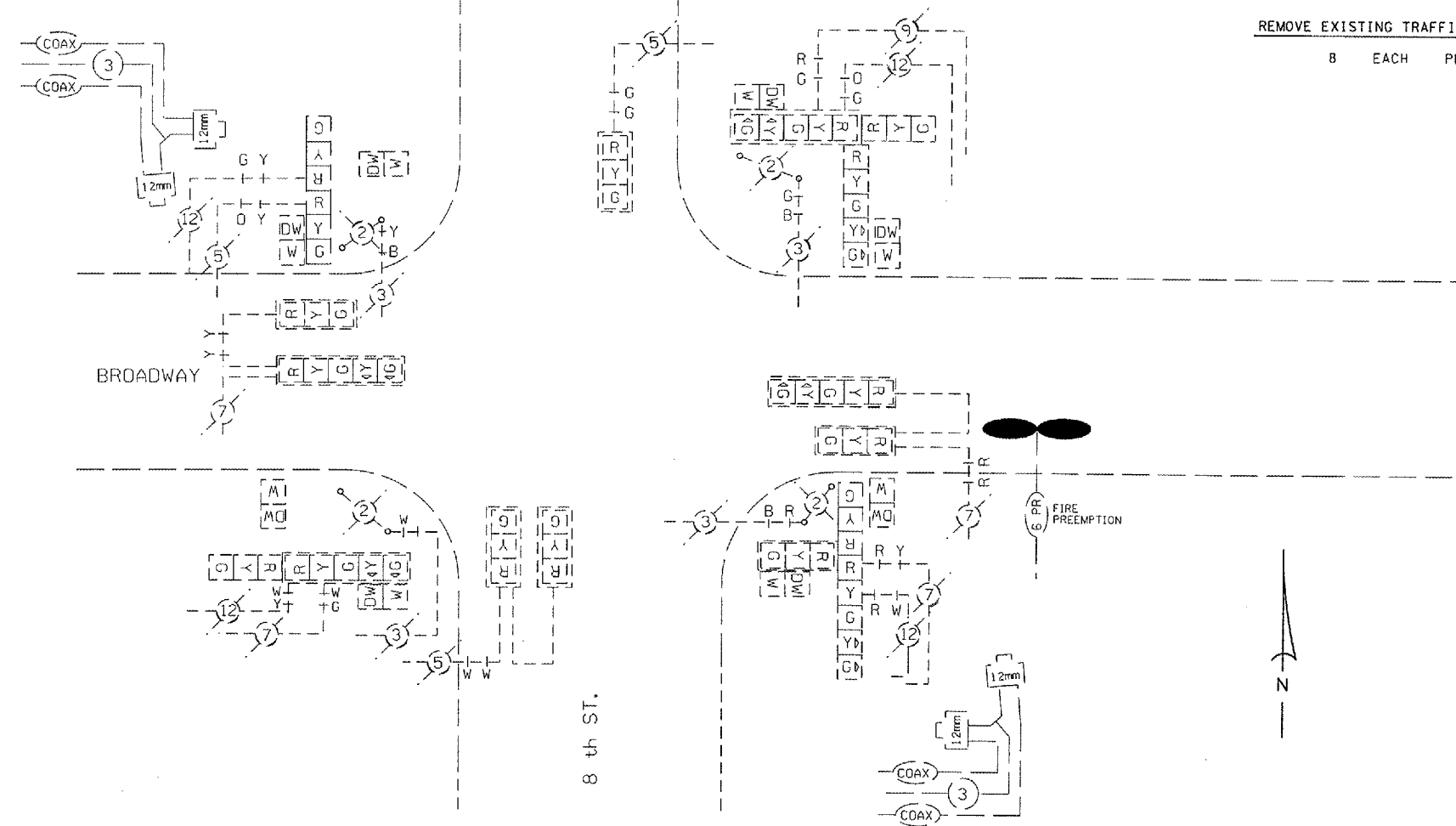
PLOT DATE = 1/19/2007
 PLOT SCALE = 43.3725" / IN.
 USER NAME = mcdmawj



EXIST CONTROLLER

F.A.P. RTE.	SECTION	COUNTY	TOTAL SHEETS	SHEET NO.
745		ADAMS	7	5
STA.		TO STA.		
FED. ROAD DIST. NO.		ILLINOIS FED. AID PROJECT		

• D-6 TRAFFIC SIGNAL MODERNIZATION 2007-3

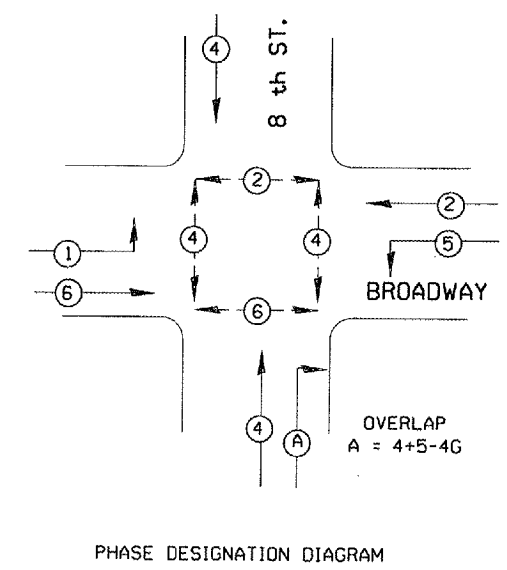
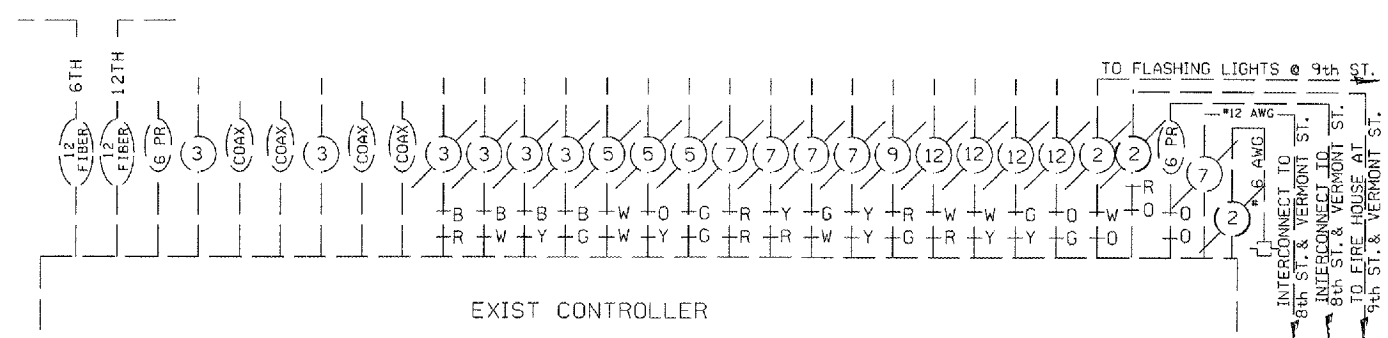


REMOVE EXISTING TRAFFIC SIGNAL EQUIPMENT CONSISTS OF:
8 EACH PEDESTRIAN PUSHBUTTON

TRAFFIC SIGNAL QUANTITIES

BROADWAY AND 8TH

QUANTITY	UNIT	ITEM
1	EACH	REMOVE EXISTING TRAFFIC SIGNAL EQUIPMENT
8	EACH	PEDESTRIAN PUSHBUTTON
11	EACH	REBUILD EXISTING SIGNAL HEAD FACE, LED, 3-SECTION
6	EACH	REBUILD EXISTING SIGNAL HEAD FACE, LED, 5-SECTION
8	EACH	REBUILD EXISTING PEDESTRIAN SIGNAL HEAD FACE, LED



NOT TO SCALE

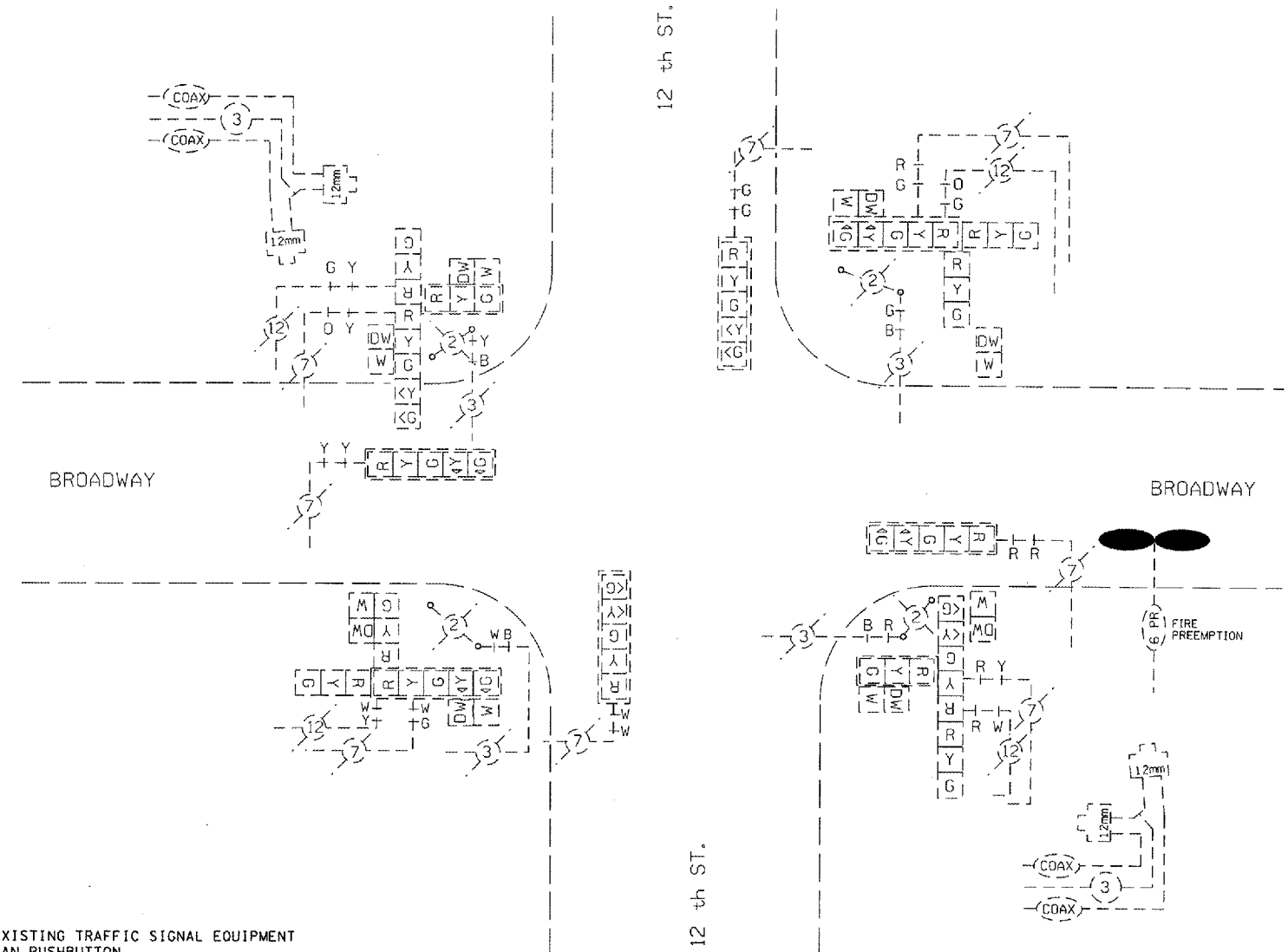
REVISIONS	
NAME	DATE

ILLINOIS DEPARTMENT OF TRANSPORTATION
EXISTING WIRING DIAGRAM
 BROADWAY & 8TH
 SECTION D-6 TRAFFIC SIGNAL MOD 2007-3
 VERT. SCALE: HORIZ. DATE DEC '06
 DRAWN BY: KDA
 CHECKED BY:

PLOT DATE = 1/19/2007
 PLOT SCALE = 4:1
 USER NAME = madsonej

F.A.P. RTE.	SECTION	COUNTY	TOTAL SHEETS	SHEET NO.
745		ADAMS	7	6
STA.		TO STA.		
FED. ROAD DIST. NO.	ILLINOIS	FED. AID PROJECT		

D-6 TRAFFIC SIGNAL MODERNIZATION 2007-3

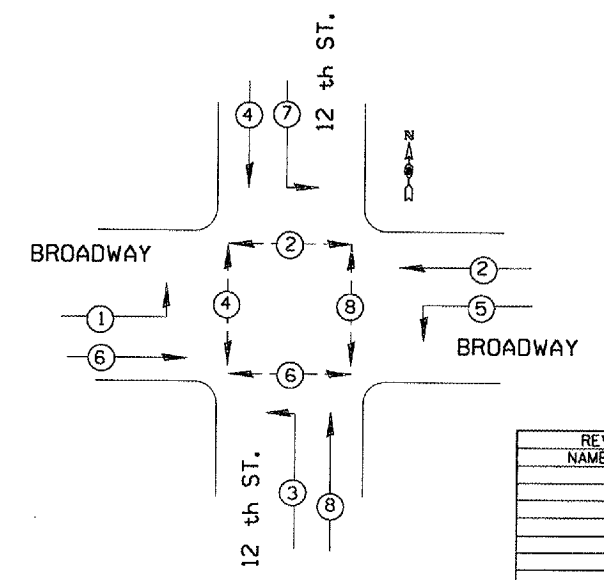
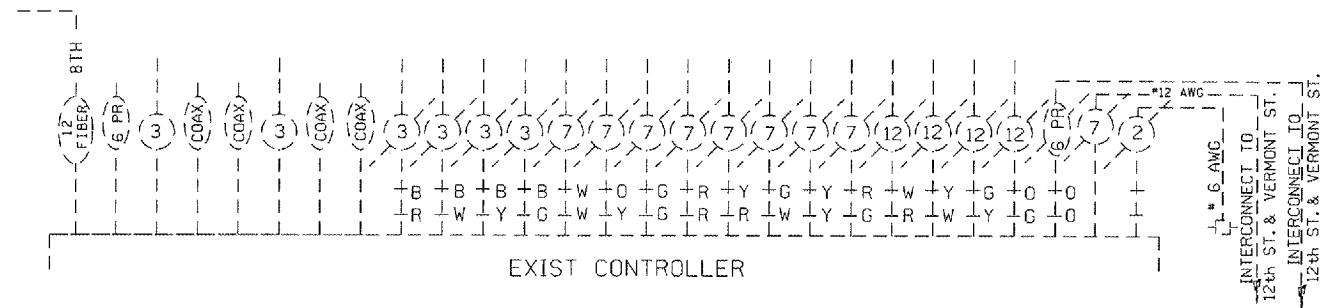


REMOVE EXISTING TRAFFIC SIGNAL EQUIPMENT CONSISTS OF:
 8 EACH PEDESTRIAN PUSHBUTTON

TRAFFIC SIGNAL QUANTITIES

BROADWAY AND 12TH

QUANTITY	UNIT	ITEM
1	EACH	REMOVE EXISTING TRAFFIC SIGNAL EQUIPMENT
8	EACH	PEDESTRIAN PUSHBUTTON
8	EACH	REBUILD EXISTING SIGNAL HEAD FACE, LED, 3-SECTION
8	EACH	REBUILD EXISTING SIGNAL HEAD FACE, LED, 5-SECTION
8	EACH	REBUILD EXISTING PEDESTRIAN SIGNAL HEAD FACE, LED



PHASE DESIGNATION DIAGRAM

REVISIONS	
NAME	DATE

ILLINOIS DEPARTMENT OF TRANSPORTATION
EXISTING WIRING DIAGRAM
 BROADWAY & 12TH
 SECTION D-6 TRAFFIC SIGNAL MOD 2007-3
 SCALE: VERT. DATE DEC '06
 DRAWN BY KDA
 CHECKED BY

PLOT DATE = 1/15/2007
 PLOT SCALE = 43.75%
 USER NAME = mason, j

F.A.P. RTE.	SECTION	COUNTY	TOTAL SHEETS	SHEET NO.
745	*	ADAMS	7	7
STA.		TO STA.		
FED. ROAD DIST. NO.		ILLINOIS FED. AID PROJECT		

D-6 TRAFFIC SIGNAL MODERNIZATION 2007-3

TRAFFIC SIGNAL PLAN LEGEND

EXISTING	PROPOSED	DESCRIPTION
		SIGNAL HEAD
		SIGNAL HEAD WITH BACKPLATE
		TEMPORARY SIGNAL HEAD
		PEDESTRIAN SIGNAL HEAD
		PEDESTRIAN PUSHBUTTON DETECTOR
		DETECTOR LOOP
		QUADRAPOLE DETECTOR LOOP
		SIGNAL POST
		ALUMINUM MAST ARM ASSEMBLY AND POLE
		STEEL MAST ARM ASSEMBLY AND POLE
		WOOD POLE
		WOOD POLE WITH GUY
		SERVICE INSTALLATION
		CONTROLLER
		HANDHOLE
		HEAVY DUTY HANDHOLE
		DOUBLE HANDHOLE
		JUNCTION BOX
		GULFBOX JUNCTION
		AERIAL CABLE
		CONDUIT LENGTH - CONSTRUCTION (T=TRENCH P=PUSHED A=AUGERED E=EXISTING) SIZE - TYPE (S=STEEL P=PVC F=FIBER DUCT U=UNI-DUCT)
		CONDUIT SPLICE
		SPAN WIRE / TETHER WIRE
		21 SIDEWALK REMOVAL IN SQ M (SQ FT)
		9 PC CONC SDWLK 100 mm IN SQ M (SQ YD)
		12 PC CONC SDWLK 100 mm SPECIAL IN SQ M (SQ YD)

TRAFFIC SIGNAL WIRING DIAGRAM LEGEND

EXISTING	PROPOSED	DESCRIPTION
		200 mm (8") SIGNAL SECTION
		300 mm (12") SIGNAL SECTION
		DIRECTIONAL SIGNAL SECTION
		225 mm (9") PEDESTRIAN SIGNAL FACE
		300 mm (12") PEDESTRIAN SIGNAL FACE
		SIGNAL FACE WITH BACKPLATE
		PROGRAMMED SIGNAL SECTION
		SIGNAL SECTION WITH LOUVRE
		DUAL-INDICATION SIGNAL SECTION
		INDUCTION DETECTOR LOOP
		QUADRAPOLE DETECTOR LOOP
		DIRECT-CONNECTED LOOP LEAD-IN (TWISTED)
		ELECTRIC CABLE DENOTING NUMBER OF CONDUCTORS
		ELECTRIC CABLE TO BE REMOVED
		ELECTRIC CABLE IDENTIFIER TAPE CODES (R= RED W= WHITE Y= YELLOW G= GREEN B= BLUE O= ORANGE)
		PEDESTRIAN PUSHBUTTON DETECTOR
		VIDEO DETECTION CAMERA
		EMERGENCY VEHICLE PREEMPTOR



REVISIONS	
NAME	DATE

ILLINOIS DEPARTMENT OF TRANSPORTATION
LEGEND FOR TRAFFIC SIGNAL DETAILS
 VARIOUS ROUTES
 SECTION D-6 TRAFFIC SIGNAL MOD 2007-3
 SCALE: VERT. _____
 HORIZ. _____
 DATE DEC '06
 DRAWN BY KDA
 CHECKED BY _____

PLOT DATE = 1/19/2007
 FILE NAME = \\s01\proj\2007\1111111111\1111111111\1111111111.dgn
 PLOT SCALE = 43.3735 / IN.
 USER NAME = mcdonm01